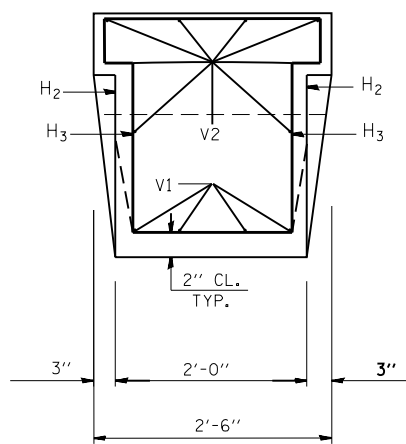
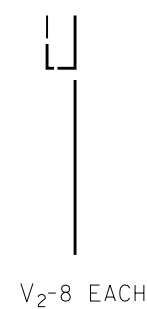
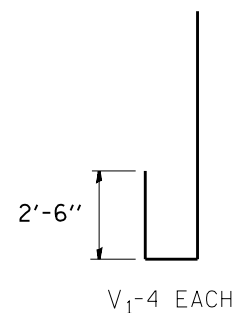
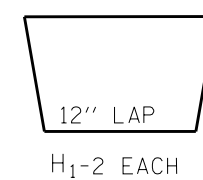
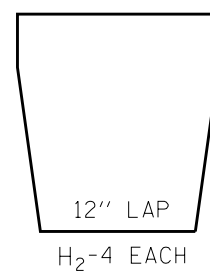
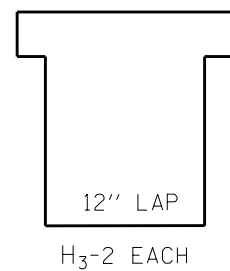


GUARD RAIL TRANSITIONS

NOTES: CLASS SI CONCRETE SHALL BE USED THROUGHOUT REINFORCEMENT TO BE SIZE #4 UNLESS OTHERWISE NOTED



#6 DOWEL BARS DRILL AND GROUT ON ROW OF THREE BARS



FILE NAME =	USER NAME = pyrzanowskirb	DESIGNED -	REVISED - R. RITCHIE 05-02-00
et:\pw\work\p\id\pyrzanowskirb\d030700	D142312-sht-plan.dgn	DRAWN - RFL	REVISED -
	PLOT SCALE = 100.0000' / 1"	CHECKED -	REVISED -
	PLOT DATE = 8/8/2012	DATE - 10-31-88	REVISED -

STATE OF ILLINOIS
DEPARTMENT OF TRANSPORTATION

TYPICAL DETAILS FOR STEEL PLATE BEAM GUARDRAIL ANCHORAGE REPAIR

SCALE: SHEET NO. OF SHEETS STA. TO STA.

F.A. RTE.	SECTION	COUNTY	TOTAL SHEETS	SHEET NO.
VAR.	2012-022 GRR	VARIOUS	23	12
	BM-04		CONTRACT NO. 60T74	
FED. ROAD DIST. NO.	ILLINOIS FED. AID PROJECT			