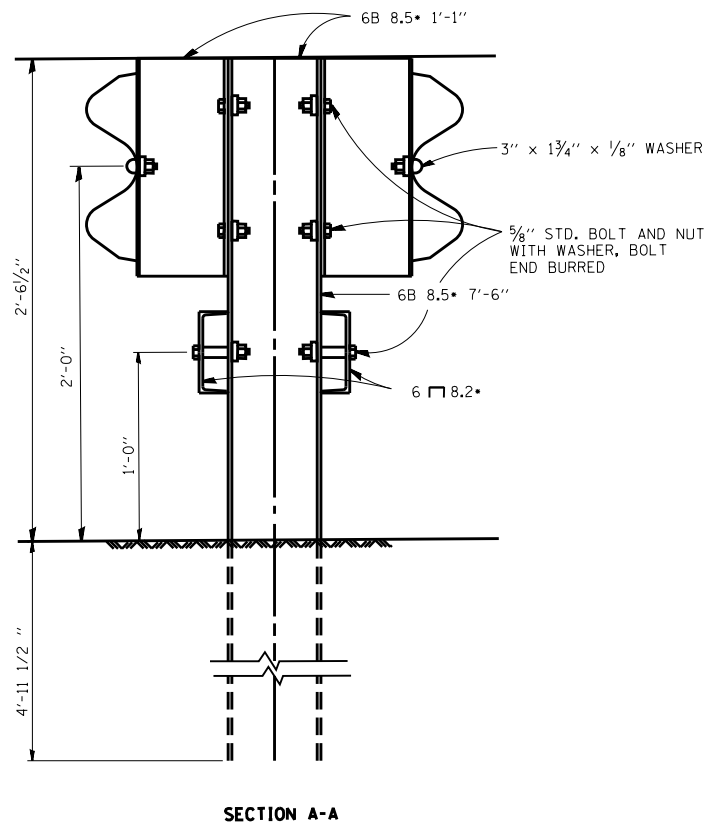


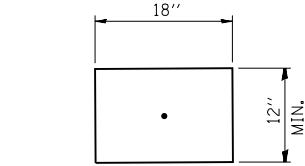
ELEVATION

DETAIL OF END SECTION

NOTE 1:  
FOR DETAILS OF GUARDRAIL END ANCHORAGE  
AT PIERS, SEE SHEET NO. \_\_\_

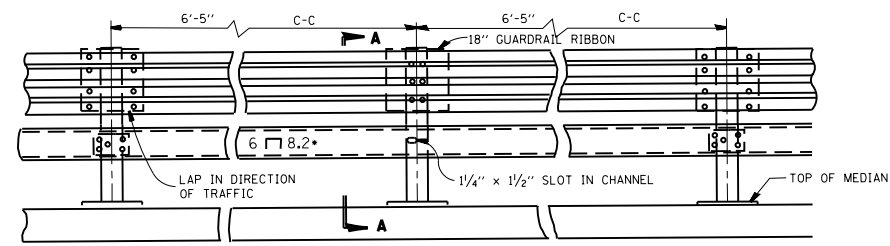


SECTION A-A

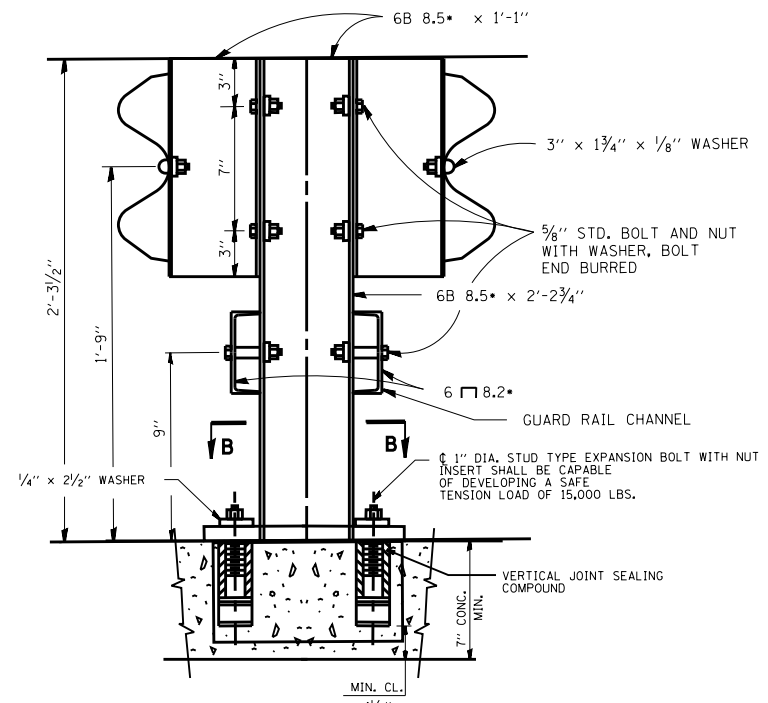


18" GUARDRAIL ELEMENT SPLICE

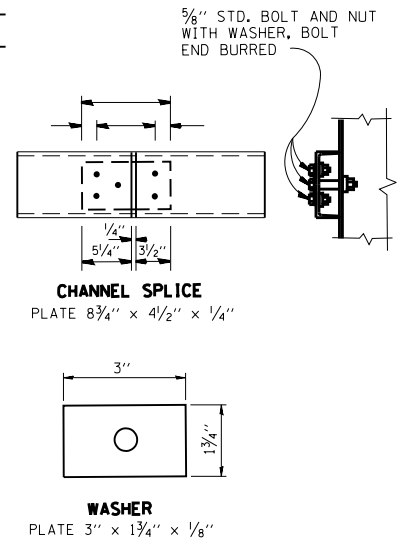
NOTE:  
FOR DETAIL OF RAIL ELEMENT, RAIL SPLICING, BOLT,  
AND NUT, SEE STATE STANDARD 630001.  
A 1 3/8" x 3" x 1/8" STEEL PLATE WASHER AS SHOWN ON THIS  
DRAWING SHALL BE PLACED BETWEEN THE BOLT HEAD  
AND THE GUARDRAIL RIBBON AT ALL MOUNTING POINTS.  
AN 18" PIECE OF GUARDRAIL RIBBON SHALL BE INSERTED  
BETWEEN THE CONTINUOUS RIBBON AND THE POST AT  
NON-SLICE MOUNTING POINTS.  
RAIL, CHANNELS, POSTS, BASE PLATES, FASTENINGS,  
AND ALL OTHER EXPOSED ACCESSORIES SHALL BE  
GALVANIZED.



ELEVATION



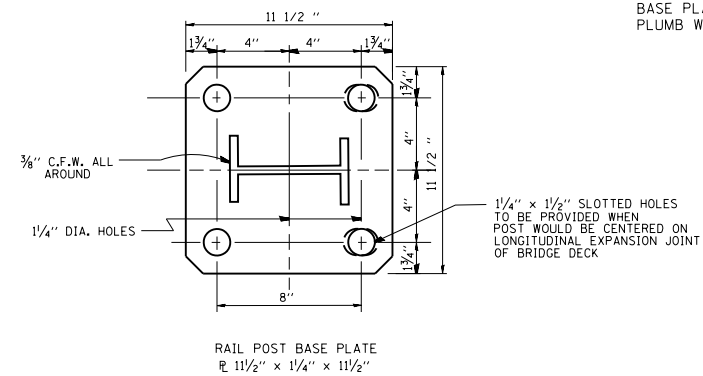
SECTION A-A  
ANCHORAGE DETAIL



CHANNEL SPLICE  
PLATE 8 3/4" x 4 1/2" x 1/4"

WASHER  
PLATE 3" x 1 3/4" x 1/8"

NOTE:  
ALL WELDS SHALL BE GROUND SMOOTH.  
POSTS SHALL BE CUT AND WELDED TO THE  
BASE PLATE SO THAT THE POSTS WILL BE  
PLUMB WHEN ERECTED.



SECTION B-B

THIS SHEET IS FOR INFORMATION ONLY

FILE NAME =	USER NAME = pyzranowskirb	DESIGNED -	REVISED -	<b>STATE OF ILLINOIS DEPARTMENT OF TRANSPORTATION</b>	<b>STEEL PLATE BEAM GUARDRAIL SPECIAL</b>			F.A. RTE.	SECTION	COUNTY	TOTAL SHEETS	SHEET NO.
et:\pw\work\p\idot\pyzranowskirb\d030700	ND142312-sht-plan.dgn	DRAWN -	REVISED -					VAR.	2012-022 GRR	VARIOUS	23	14
	PLOT SCALE = 100.0000' / 1" =	CHECKED -	REVISED -		SCALE: SHEET NO. OF SHEETS STA. TO STA.			CONTRACT NO. 60174				
	PLOT DATE = 8/8/2012	DATE -	REVISED -					FED. ROAD DIST. NO.	ILLINOIS FED. AID PROJECT			