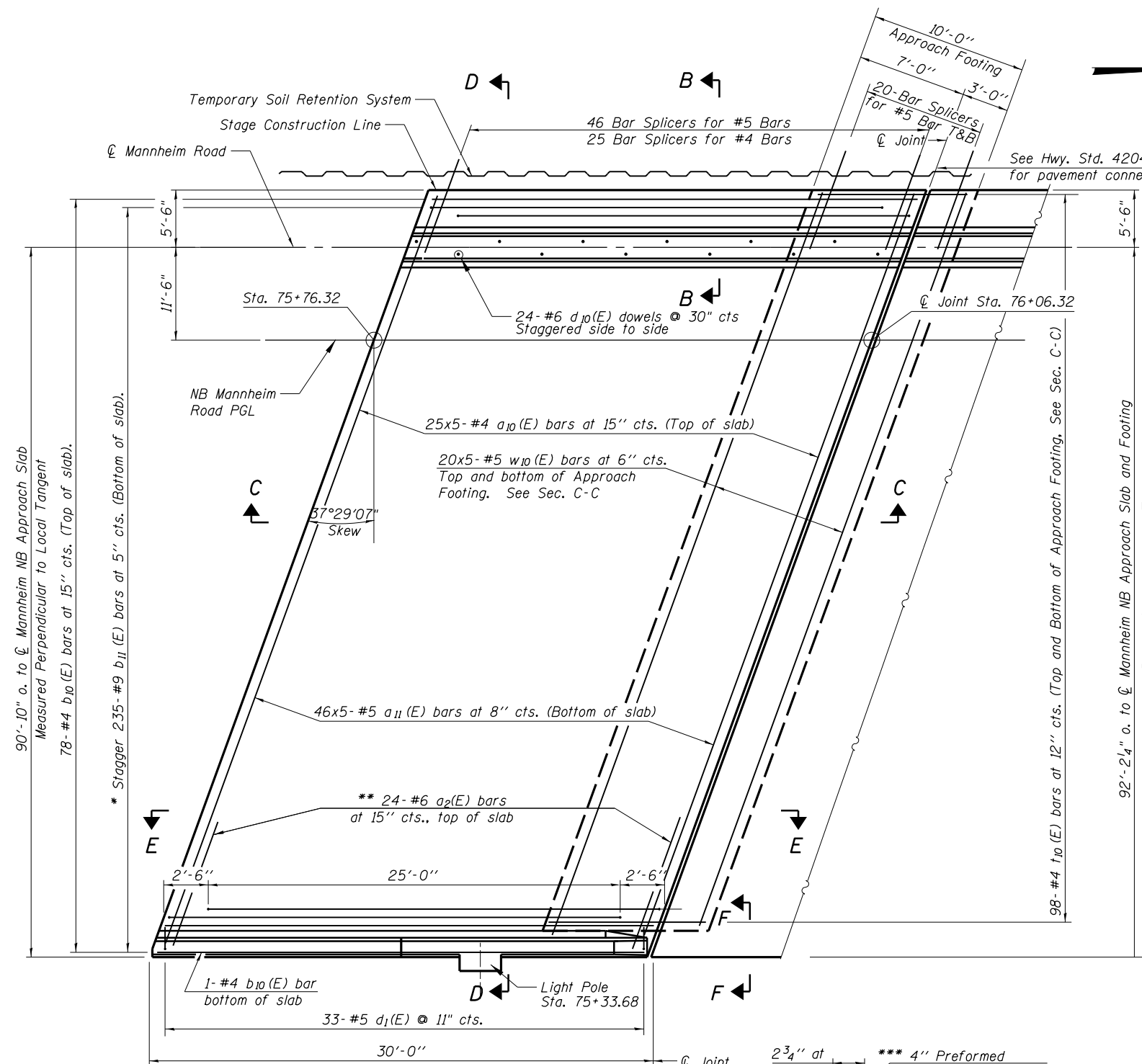
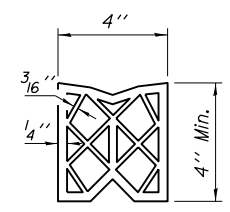


Notes:
See sheet S-13 of S-26 for Sections C-C & D-D and View E-E.
a₁₀(E) and a₁₁(E) bar spacings measured along \hat{C} Rdwy.

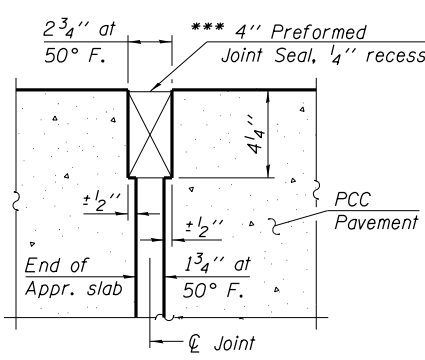


PLAN

* Tilt #9 b₁₁(E) bars as required to maintain clearance.
** Space between a₁₀(E) bars, typ. each parapet.

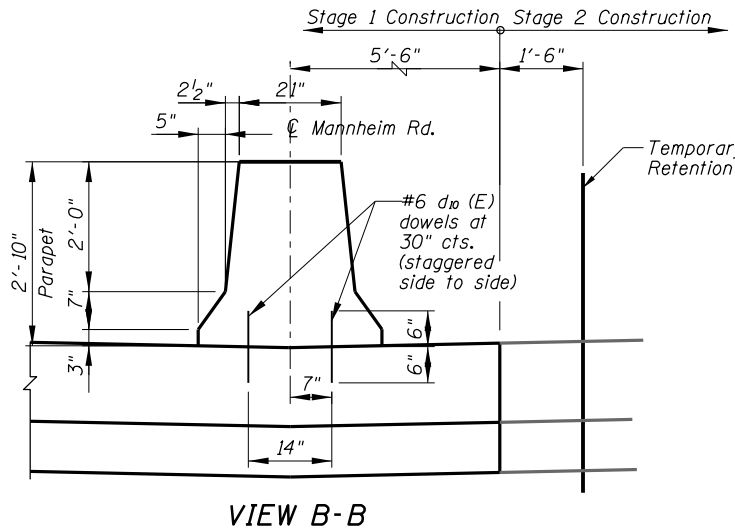


PREFORMED JOINT SEAL

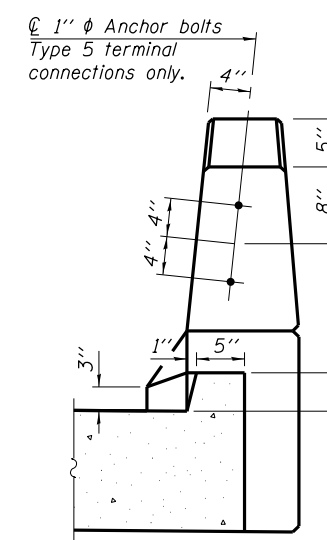


RIGID PAVEMENT DETAIL A

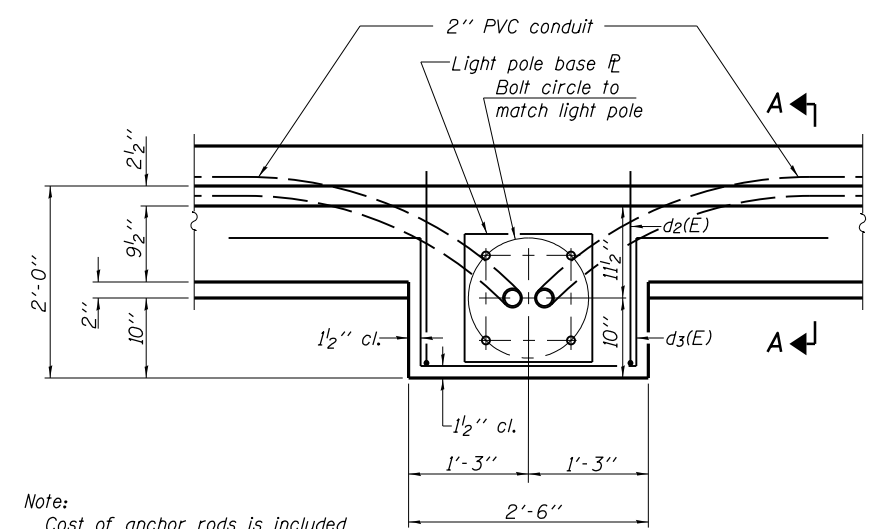
*** Cost included with Concrete Superstructure.



VIEW B-B

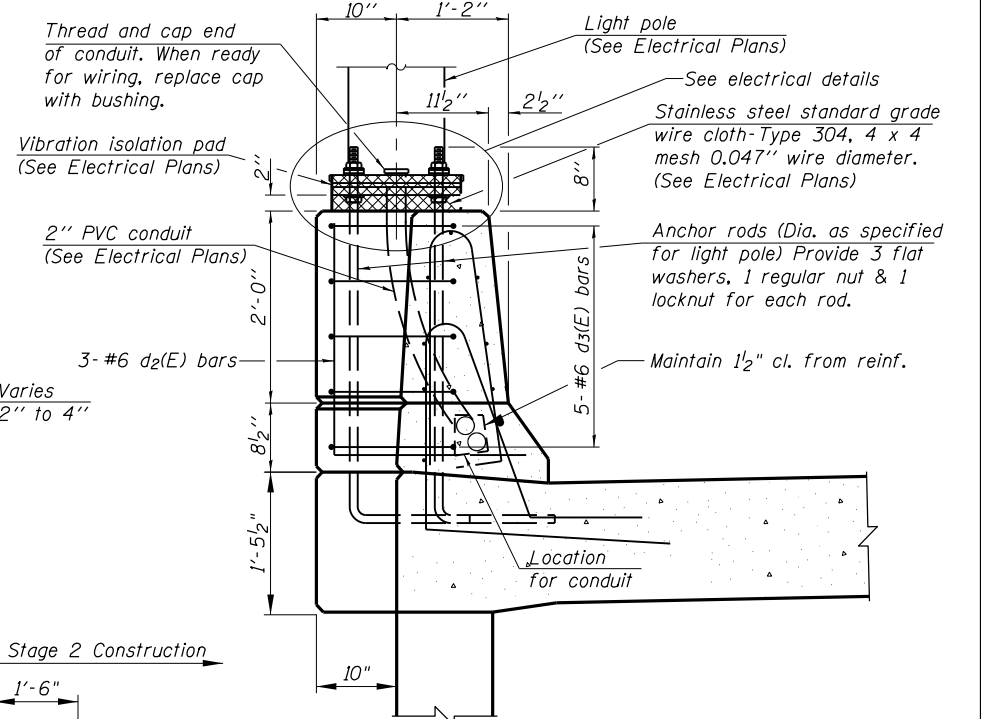


VIEW F-F



PLAN

Note:
Cost of anchor rods is included with Concrete Superstructure.



SECTION A-A

THIS SHEET IS FOR INFORMATION ONLY

MINIMUM BAR LAP

- #4 bar = 2'-3"
- #5 bar = 3'-3"
- #8 bar = 5'-2"

N:\ROSEMONT\11000\CADD\Sheets\Fabrication_CADD_Sheets\14-0167943-0168037-012_Apr-11.ab.dgn

CHRISTOPHER B. BURKE ENGINEERING, LTD.
8575 W. Higgins Road, Suite 600
Rosemont, Illinois 60018
(847) 924-6500

USER NAME =	DESIGNED - MM	REVISED
PLOT SCALE =	CHECKED - JMB	REVISED
PLOT DATE =	DRAWN - PDR	REVISED
	CHECKED - MM	REVISED

STATE OF ILLINOIS
DEPARTMENT OF TRANSPORTATION

BRIDGE NORTH APPROACH SLAB DETAILS
NB MANNHEIM ROAD BRIDGE - STRUCTURE NO. 016-7943

SHEET NO. S-12 OF S-26 SHEETS

F.A. RTE.	SECTION	COUNTY	TOTAL SHEETS	SHEET NO.
330	0105-F	COOK	55	14
CONTRACT NO. 60V68			ILLINOIS FED. AID PROJECT	