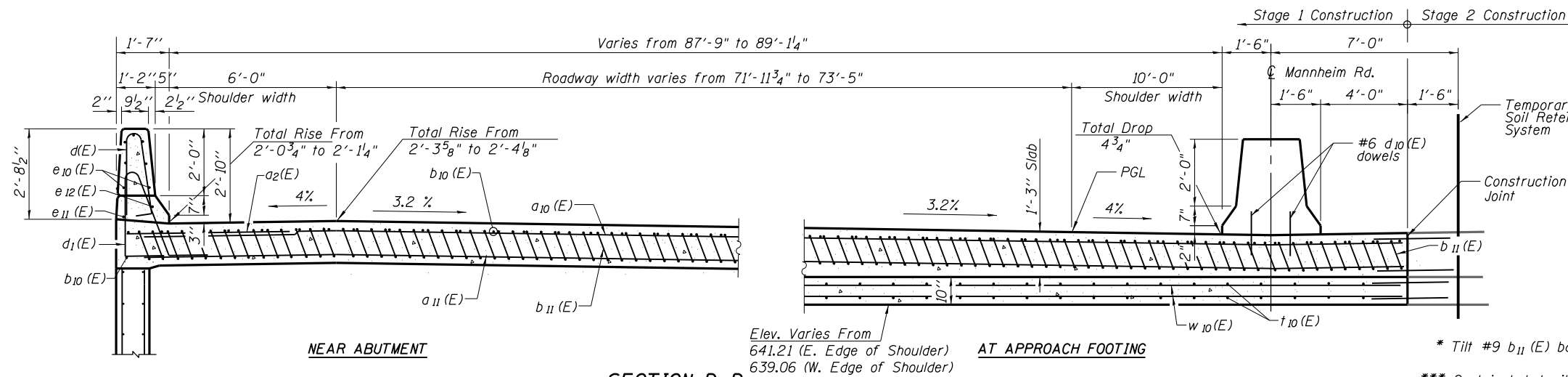
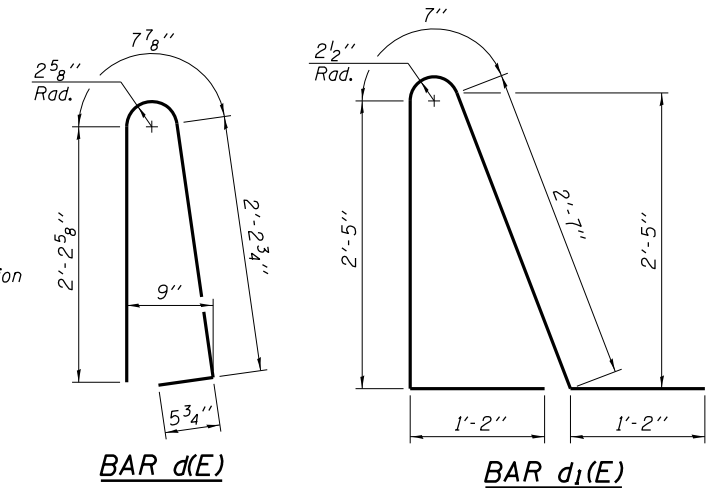


Notes:

Approach slab and parapet concrete shall be paid for as Concrete Superstructure.
 Approach footing concrete shall be paid for as Concrete Structures.
 Reinforcement shall be paid for as Reinforcement Bars, Epoxy Coated.
 For v(E) bar details, see sheet S-21 and S-23 of S-26.
 The approach footing maximum applied service bearing pressure (Qmax) = 2.0 ksf.
 For bar splicer details, see sheet S-24 of S-26.
 Cost of excavation for approach footing included with Concrete Structures.
 For Porous Granular Backfill and drainage treatment details, see sheet S-2 of S-26.



* Tilt #9 b11(E) bars as required to maintain clearance.

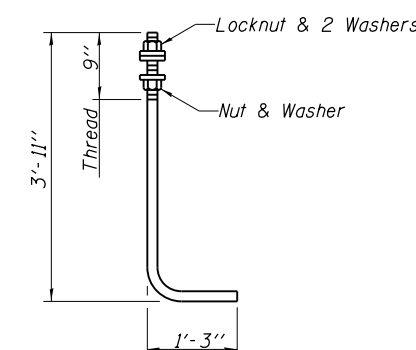
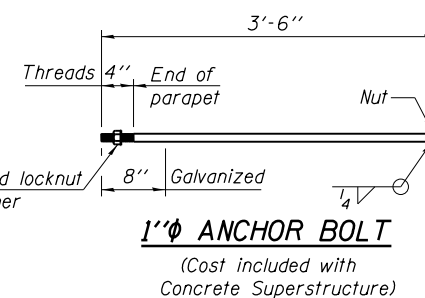
*** Cost included with Concrete Superstructure.

**NORTH APPROACH
BILL OF MATERIAL**

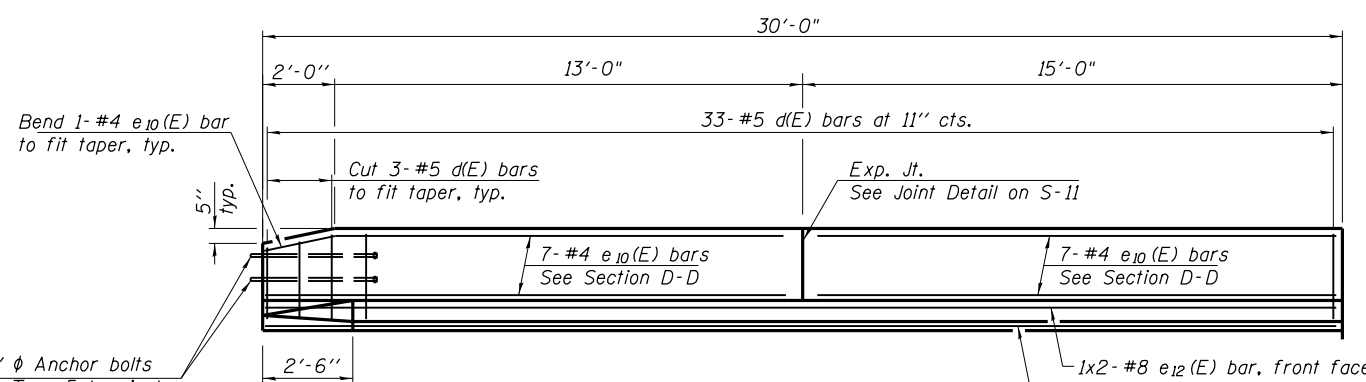
Bar	No.	Size	Length	Shape
a2(E)	24	#6	6'-6"	—
a10(E)	125	#4	26'-6"	—
a11(E)	230	#5	26'-9"	—
b10(E)	79	#4	29'-8"	—
b11(E)	235	#9	29'-9"	—
d(E)	33	#5	5'-7"	⌒
d1(E)	33	#5	7'-11"	⌒
d2(E)	3	#6	4'-5"	⌒
d3(E)	5	#6	8'-11"	⌒
d10(E)	24	#6	1'-0"	—
e10(E)	14	#4	14'-8"	—
e11(E)	2	#4	16'-0"	—
e12(E)	2	#8	17'-7"	—
t10(E)	194	#4	12'-4"	—
w10(E)	200	#5	26'-9"	—
Concrete Superstructure		Cu. Yd.	160.1	
Concrete Structures		Cu. Yd.	36.9	
Reinforcement Bars, Epoxy Coated		Pound	42,220	

** Epoxy grout #6 d10(E) bars in 6" drilled holes according to Section 584 of the Standard Specifications.

**THIS SHEET IS
FOR INFORMATION ONLY**



ANCHOR ROD
 Diameter as specified for light poles.
 (ASTM F 1554 Grade 105) Full Length
 Hot Dipped Galvanized



N:\ROSEMONT\11000\CADD\Sheets\Fabrication CADD\Sheets\15-0167943-0168037-013_Apr-11\label.dgn
 CHRISTOPHER B. BURKE ENGINEERING, LTD.
 8575 W. Higgins Road, Suite 600
 Rosemont, Illinois 60018
 (847) 924-6900

USER NAME =	DESIGNED - MM	REVISED
PLOT SCALE =	CHECKED - JMB	REVISED
PLOT DATE =	DRAWN - PDR	REVISED
	CHECKED - MM	REVISED

**STATE OF ILLINOIS
DEPARTMENT OF TRANSPORTATION**

**BRIDGE NORTH APPROACH SLAB DETAILS
NB MANNHEIM ROAD BRIDGE - STRUCTURE NO. 016-7943**

SHEET NO.S-13 OF S-26 SHEETS

F.A. RTE.	SECTION	COUNTY	TOTAL SHEETS	SHEET NO.
330	0105-F	COOK	55	15
CONTRACT NO. 60V68			ILLINOIS FED. AID PROJECT	