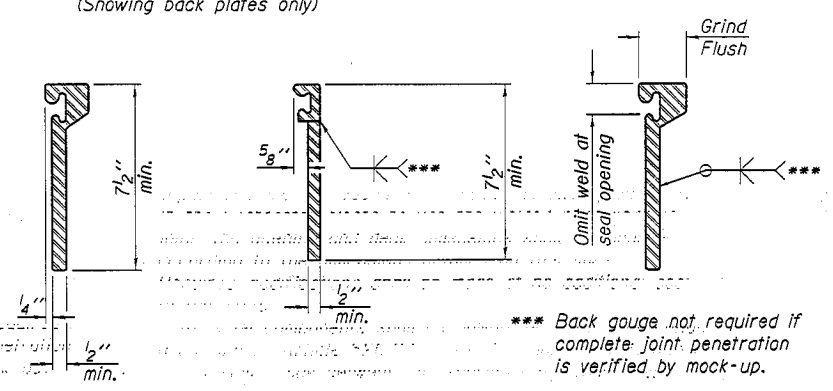
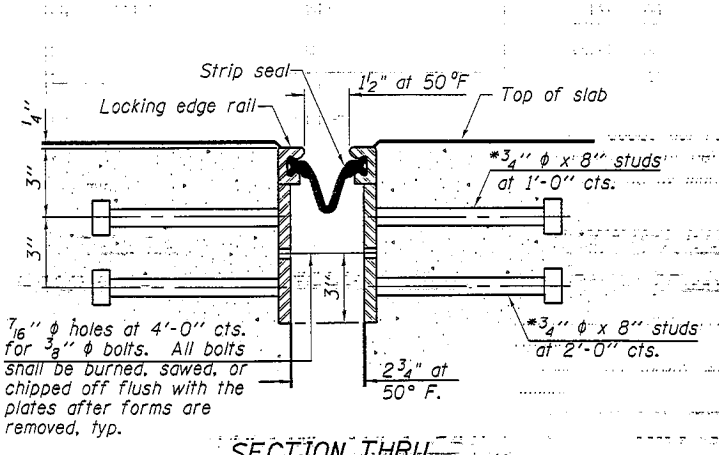
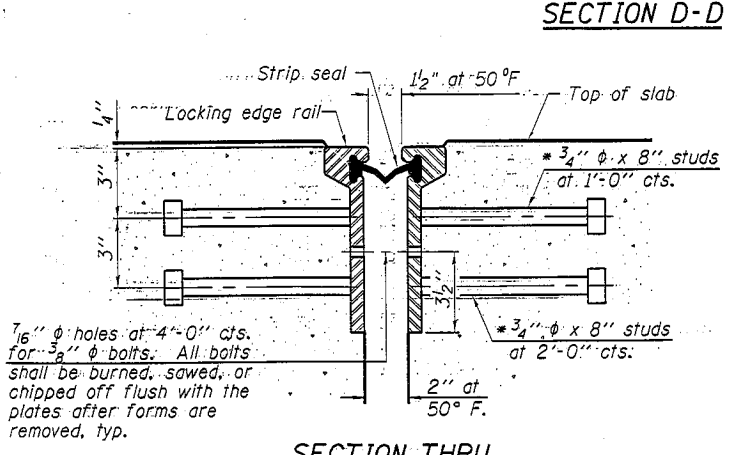


Notes:
The strip seal shall be made continuous and shall have a minimum thickness of 1/4". The configuration of the strip seal shall match the configuration of the Locking Edge Rails. Open or "webbed" strip seal gland configurations are not permitted. The gland shall be sized for a maximum rated movement of 4 inches.
The Locking Edge Rails depicted are conceptual only, except for the minimum dimensions shown. The actual configuration of the Locking Edge Rails and matching strip seal may vary from manufacturer to manufacturer. Flanged edge rails will not be allowed. Locking Edge Rails may be spliced at slope discontinuities.
The manufacturer's recommended installation methods shall be followed.
The joint opening and deck dimensions detailed on the superstructure are based on a rolled rail expansion joint. If the Contractor elects to use the welded rail expansion joint, the opening and deck dimensions shall be modified according to the dimensions detailed on this sheet. Required modifications shall be made at no additional cost to the State.
All steel components shall be galvanized after fabrication according to Article 520.03 of the Standard Specifications. Maximum space between rail segments at stage lines shall be 3/16", sealed with a suitable sealant.
Parapet plates and anchorage studs for skews $> 30^\circ$ included in the cost of Preformed Joint Strip Seal.



*** Back gouge not required if complete joint penetration is verified by mock-up.
The inside of the locking edge rail groove shall be free of weld residue.
Rolled rail shown, welded rail similar.

BILL OF MATERIAL

Item	Unit	Total
Preformed Joint Strip Seal	Foot	219

THIS SHEET IS FOR INFORMATION ONLY

CHRISTOPHER B. BURKE ENGINEERING, LTD.
4275 W. Higgins Road, Suite 200
Rosemont, Illinois 60018
(847) 925-0500

USER NAME	DESIGNED - MM	REVISED
PLOT SCALE	CHECKED - JMB	REVISED
PLOT DATE	DRAWN - PDR	REVISED
	CHECKED - MM	REVISED

STATE OF ILLINOIS
DEPARTMENT OF TRANSPORTATION

PREFORMED JOINT STRIP SEAL
NB MANNHEIM ROAD BRIDGE - STRUCTURE NO. 016-7943
SHEET NO. S-16 OF S-26 SHEETS

F.A. RTE.	SECTION	COUNTY	TOTAL SHEETS	SHEET NO.
330	0105-F	COOK	55	18
				CONTRACT NO. 60V68
ILLINOIS FED. AID PROJECT				