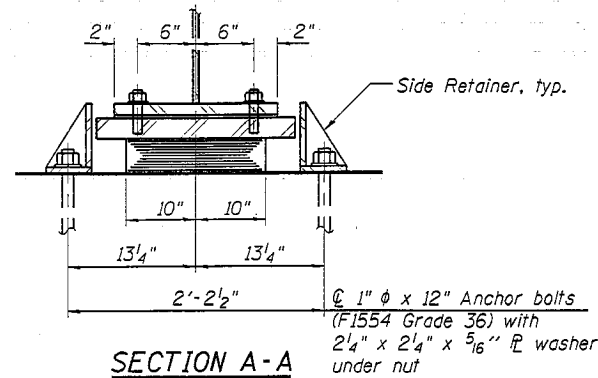
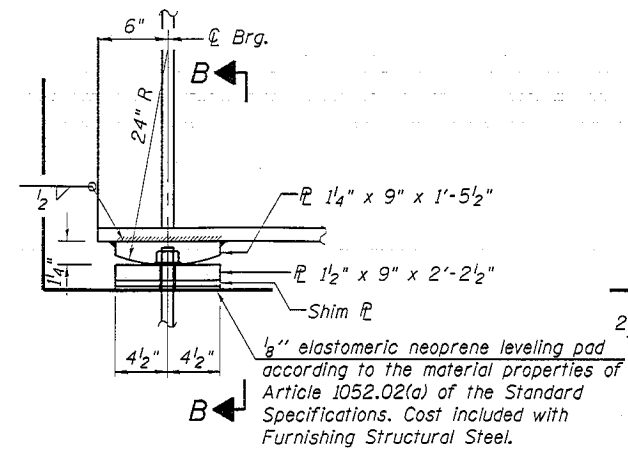


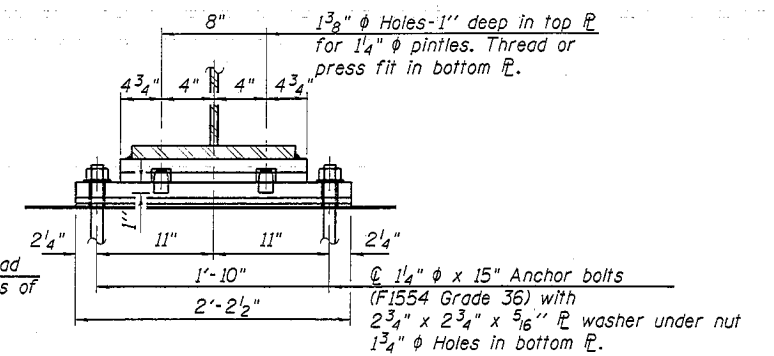
ELEVATION AT NORTH ABUT.



SECTION A-A

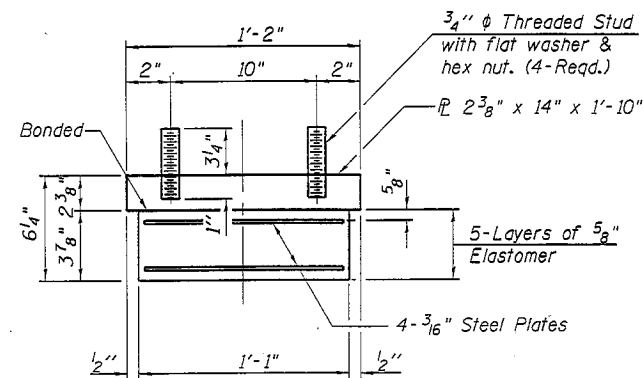


ELEVATION AT SOUTH ABUT.



SECTION B-B

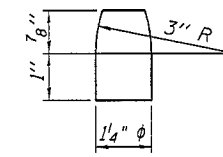
TYPE I ELASTOMERIC EXP. BRG.



BEARING ASSEMBLY

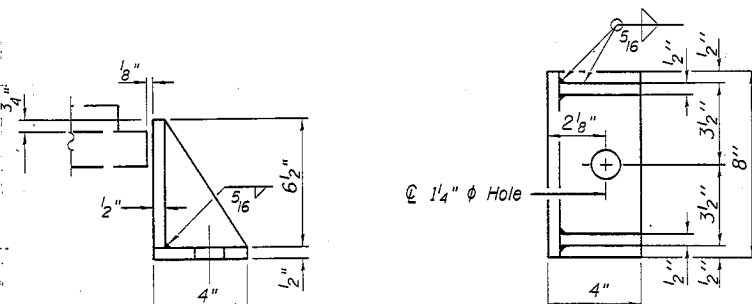
Note:
Shim plates shall not be placed under Bearing Assembly.

Notes:
Anchor bolts shall be ASTM F1554 all-thread (or an Engineer-approved alternate material) of the grade(s) and diameter(s) specified. The corresponding specified grade of AASHTO M314 anchor bolts may be used in lieu of ASTM F1554.
Anchor bolts at fixed bearings may be either cast in place or installed in holes drilled after the supported member is in place.
Anchor bolts for side retainers may be cast in place or installed in holes drilled before or after members are in place.
Drilled and set anchor bolts shall be installed according to Article 521.06 of the Standard Specifications.
Side retainers and other steel members required for the elastomeric bearing assembly shall be included in the cost of Furnishing Elastomeric Bearing Assembly, Type I.



PINTLE

FIXED BEARING



SIDE RETAINER

Equivalent rolled angle with stiffeners will be allowed in lieu of welded plates.

BILL OF MATERIAL

Item	Unit	Total
Furnishing Elastomeric Bearing Assembly Type I	Each	12
* Anchor Bolts, 1"	Each	24
* Anchor Bolts, 1 1/4"	Each	24

* FOR INFORMATION ONLY

C:\Users\jburke\Documents\CADD_Sheets\Fabrication_CADD_Sheets\167943-016637-019_Brg-01.dgn

CHRISTOPHER B. BURKE ENGINEERING, LTD. 2275 W. Higgins Road, Suite 200 Rosemont, Illinois 60018 (847) 923-4500	USER NAME =	DESIGNED - MM	REVISED	STATE OF ILLINOIS DEPARTMENT OF TRANSPORTATION	BEARING DETAILS NB MANNHEIM ROAD BRIDGE - STRUCTURE NO. 016-7943 SHEET NO. S-19 OF S-26 SHEETS	F.A. RTE. =	SECTION	COUNTY	TOTAL SHEETS	SHEET NO.
	PLOT SCALE =	DRAWN - JMB	REVISED			330	0105-F	COOK	55	21
	PLOT DATE =	CHECKED - MM	REVISED			CONTRACT NO. 60V68				
	ILLINOIS FED. AID PROJECT									