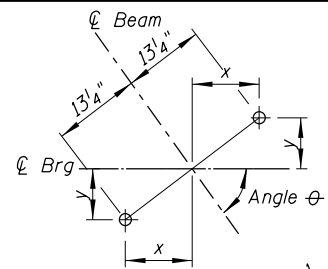
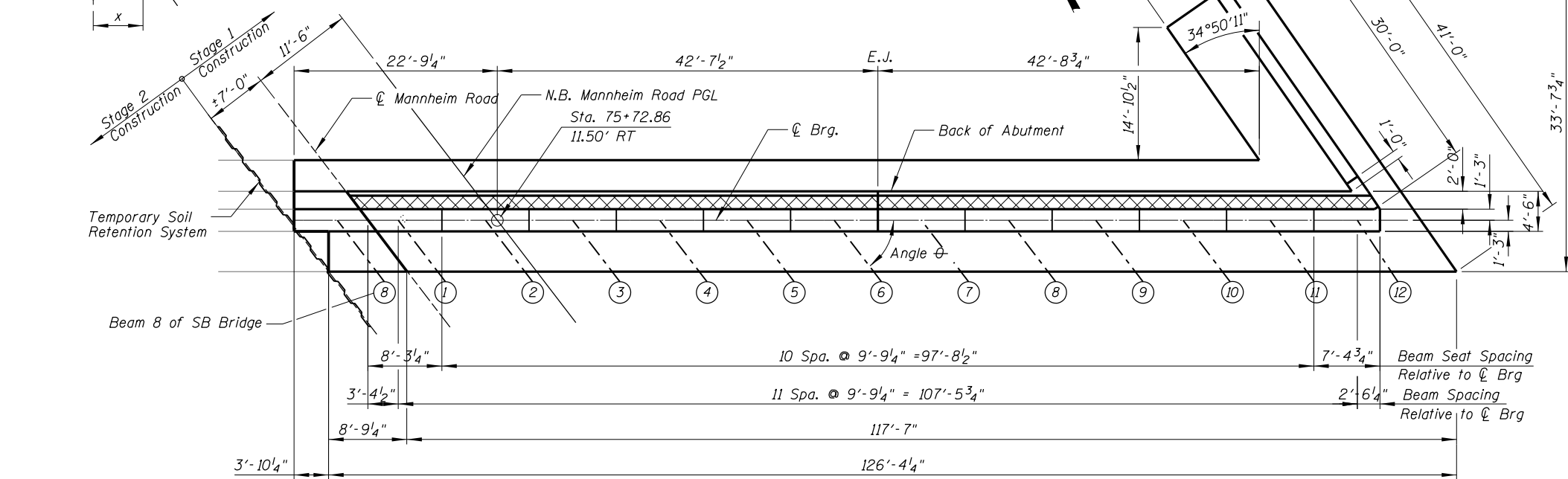


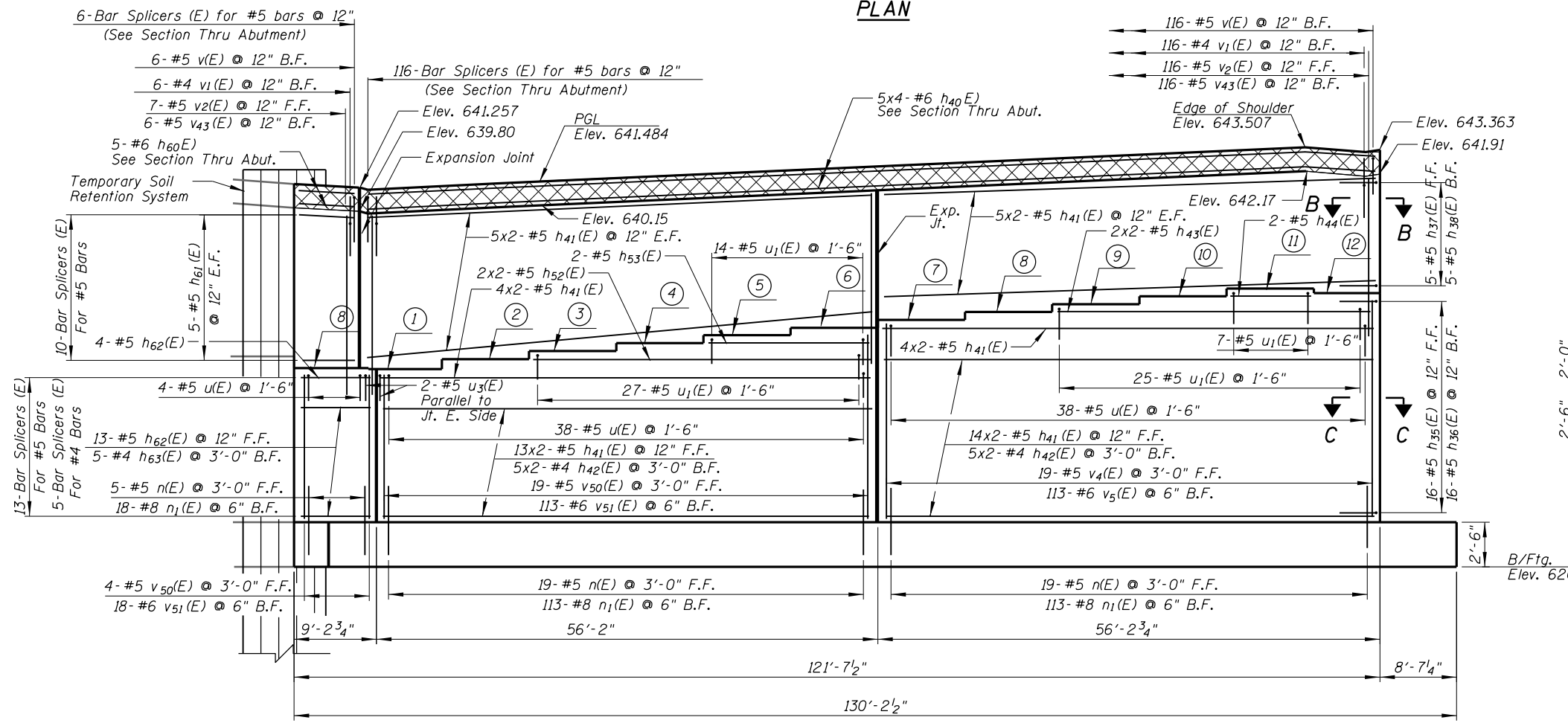
ANCHOR BOLT LOCATION



Beam	x	y
1-10	10 1/2"	8"
11	10 3/4"	7 5/8"
12	11"	7 1/4"



PLAN



ELEVATION

Maximum Applied Service Bearing Pressure (Q_{max}) = 5.8 ksf

NOTES:

1. Bars indicated thus 1x2 - #5 etc. indicates 1 line of bars with 2 lengths per line.
2. Space reinforcement in cap to miss anchor bolts.
3. Pour steps monolithically with cap.
4. Hatched area to be poured after superstructure false work has been removed. Quality of concrete included in "Concrete Superstructure".

BEAM STEPS

Beam	Step Height
1-2	3 3/8"
2-3	2 3/4"
3-4	2 5/8"
4-5	2 5/8"
5-6	2 5/8"
6-7	2 5/8"
7-8	2 5/8"
8-9	2 5/8"
9-10	2 5/8"
10-11	2 5/8"
11-12	-1 1/2"

BEAM SEAT ELEVATION

Beam	Elevation
1	635.70
2	635.98
3	636.21
4	636.42
5	636.64
6	636.86
7	637.08
8	637.30
9	637.51
10	637.73
11	637.95
12	637.82

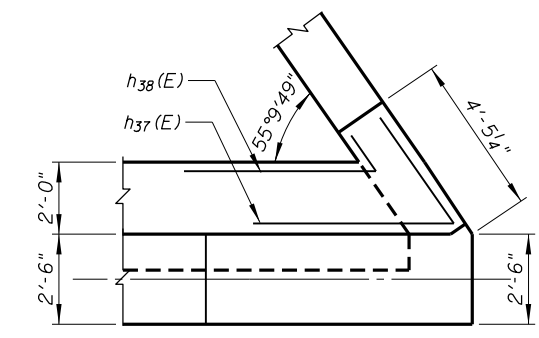
MIN. BAR LAP

Bar	Bar Lap
#4	2'-3"
#5	2'-10"

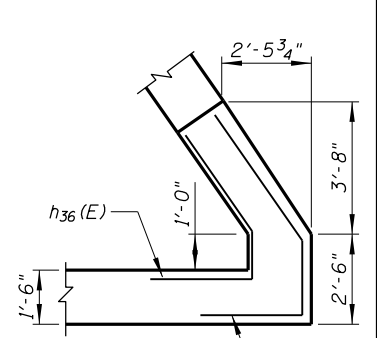
SKEW ANGLE TABLE

Beam	Angle θ^*
1	52°-30'-53"
2	52°-30'-53"
3	52°-30'-53"
4	52°-30'-53"
5	52°-30'-53"
6	52°-30'-53"
7	52°-30'-53"
8	52°-30'-53"
9	52°-30'-53"
10	52°-30'-53"
11	54°-30'-36"
12	56°-36'-35"

* Measured Relative to ϕ Bearing



SECTION B-B



SECTION C-C

LEGEND:
 F.F. Front Face
 B.F. Back face
 E.F. Each face

THIS SHEET IS FOR INFORMATION ONLY

N:\ROSEMONT\11009\CADD\Sheets\24-016\7943-016\0637-022_NbAbutment.dgn
 CADD: Sheets\24-016\7943-016\0637-022_NbAbutment.dgn
 ROSEMONT, ILLINOIS 60018
 (847) 924-6000

CHRISTOPHER B. BURKE ENGINEERING, LTD.
 8575 W. Higgins Road, Suite 600
 Rosemont, Illinois 60018
 (847) 924-6000

USER NAME =	DESIGNED - MM	REVISED
PLOT SCALE =	CHECKED - JMB	REVISED
PLOT DATE	DRAWN - PDR	REVISED
	CHECKED - MM	REVISED

STATE OF ILLINOIS
DEPARTMENT OF TRANSPORTATION

NORTH ABUTMENT - PLAN AND ELEVATION
NB MANNHEIM ROAD BRIDGE - STRUCTURE NO. 016-7943

F.A. RTE.	SECTION	COUNTY	TOTAL SHEETS	SHEET NO.
330	0105-F	COOK	55	24
CONTRACT NO. 60V68				
ILLINOIS FED. AID PROJECT				

SHEET NO. S-22 OF S-26 SHEETS