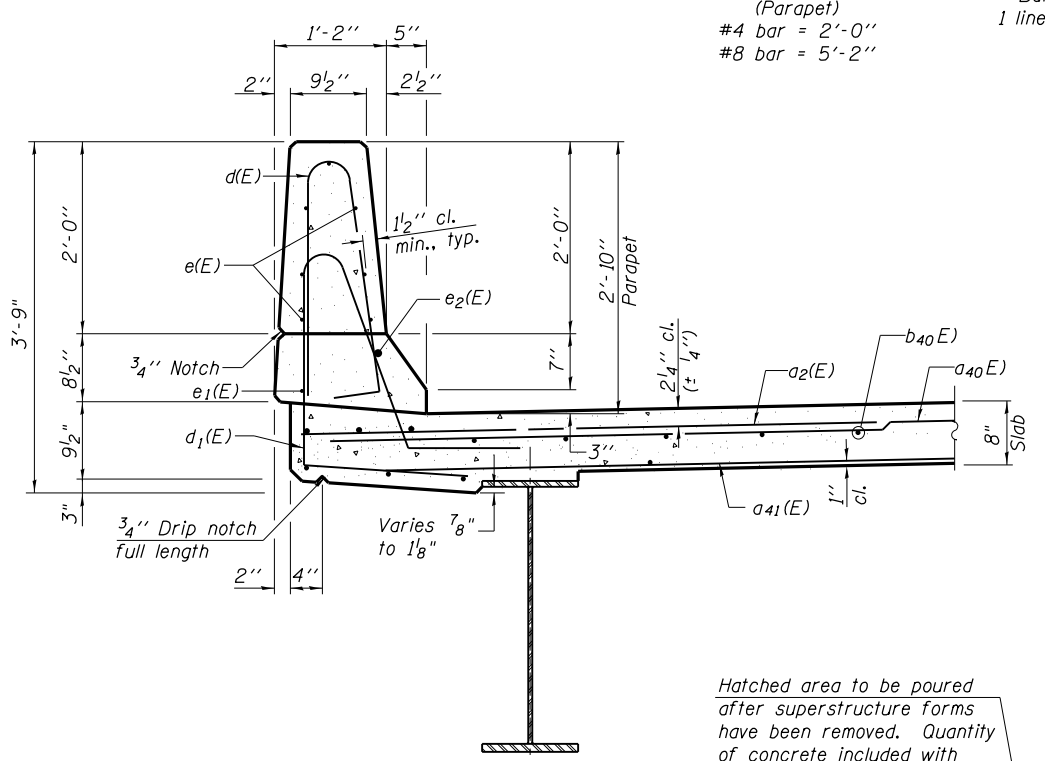


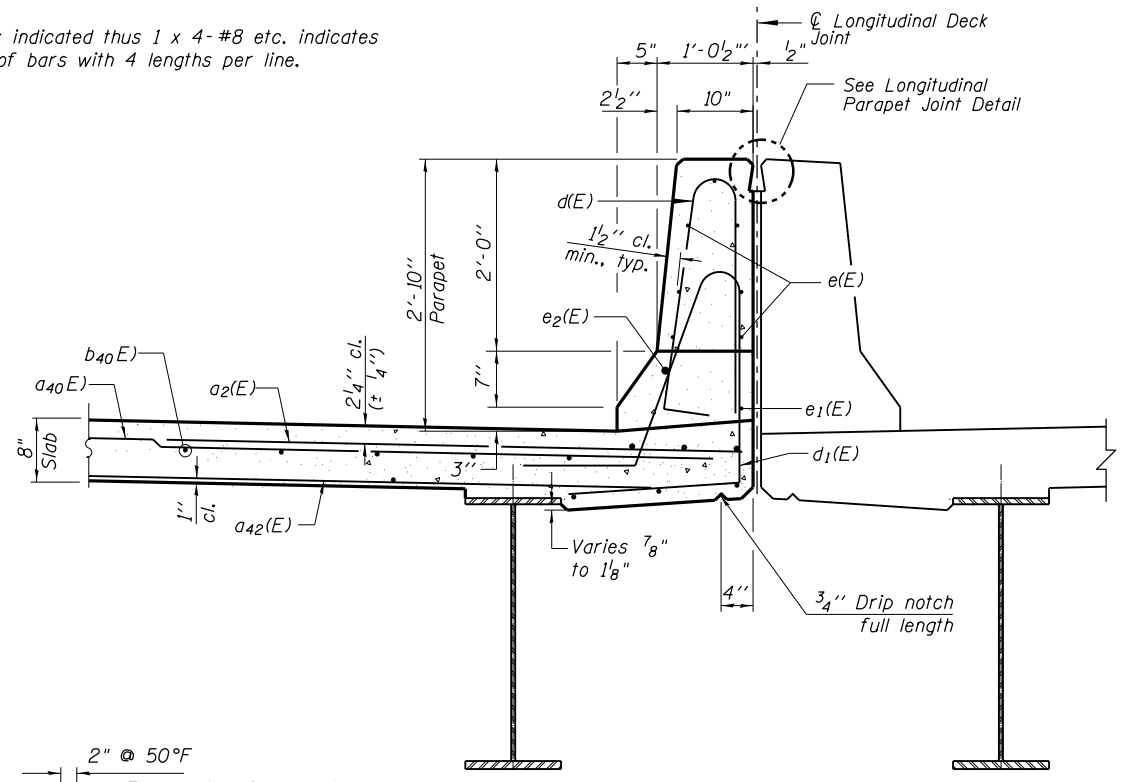
INSIDE ELEVATION OF PARAPET

MINIMUM BAR LAP
(Parapet)
#4 bar = 2'-0"
#8 bar = 5'-2"

Note:
Bars indicated thus 1 x 4 - #8 etc. indicates
1 line of bars with 4 lengths per line.

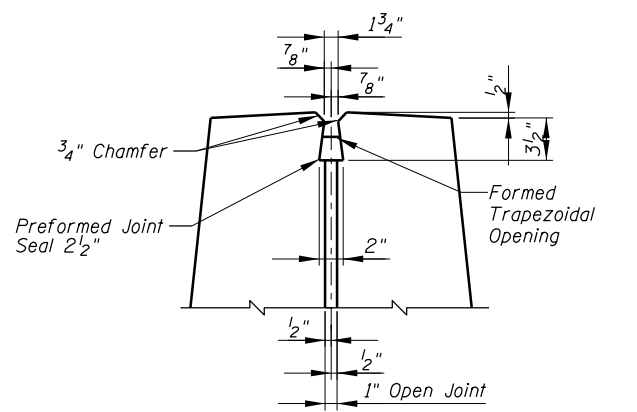


SECTION THRU WEST PARAPET



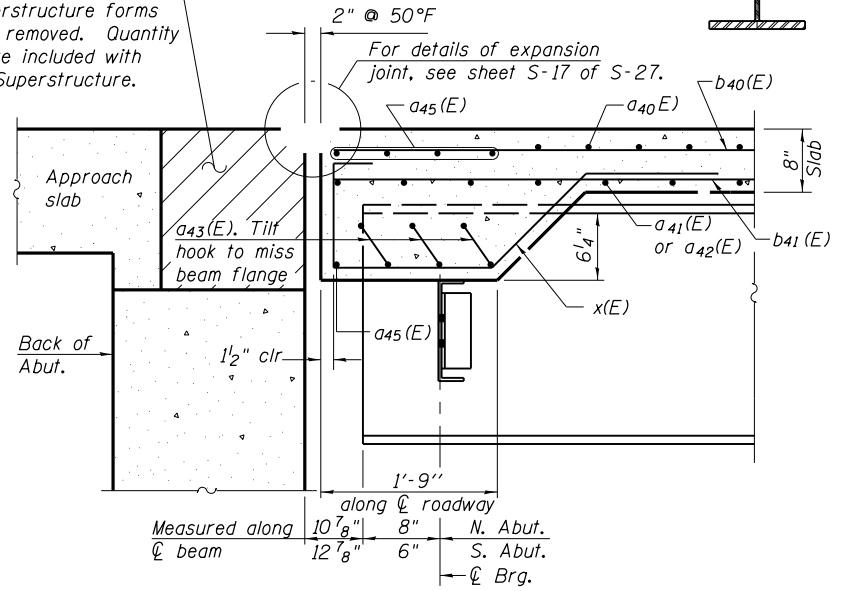
SECTION THRU MEDIAN PARAPET

PARAPET JOINT DETAILS



LONGITUDINAL PARAPET JOINT DETAIL

Hatched area to be poured
after superstructure forms
have been removed. Quantity
of concrete included with
Concrete Superstructure.



SECTION A-A

**THIS SHEET IS
FOR INFORMATION ONLY**

N:\ROSEMONT\11000\CADD\Sheets\Fabrication_CADD_Sheets\39-0167942-0168037-011_Super.dgn

CHRISTOPHER B. BURKE ENGINEERING, LTD.
8575 W. Higgins Road, Suite 600
Rosemont, Illinois 60018
(847) 924-8900

USER NAME =	DESIGNED - MM	REVISED
PLOT SCALE =	CHECKED - JMB	REVISED
PLOT DATE =	DRAWN - PDR	REVISED
	CHECKED - MM	REVISED

**STATE OF ILLINOIS
DEPARTMENT OF TRANSPORTATION**

SUPERSTRUCTURE DETAILS
SB MANNHEIM ROAD BRIDGE - STRUCTURE NO. 016-7942

F.A. RTE.	SECTION	COUNTY	TOTAL SHEETS	SHEET NO.
330	0105-F	COOK	55	39
CONTRACT NO. 60V68				

SHEET NO. S-11 OF S-27 SHEETS

ILLINOIS FED. AID PROJECT