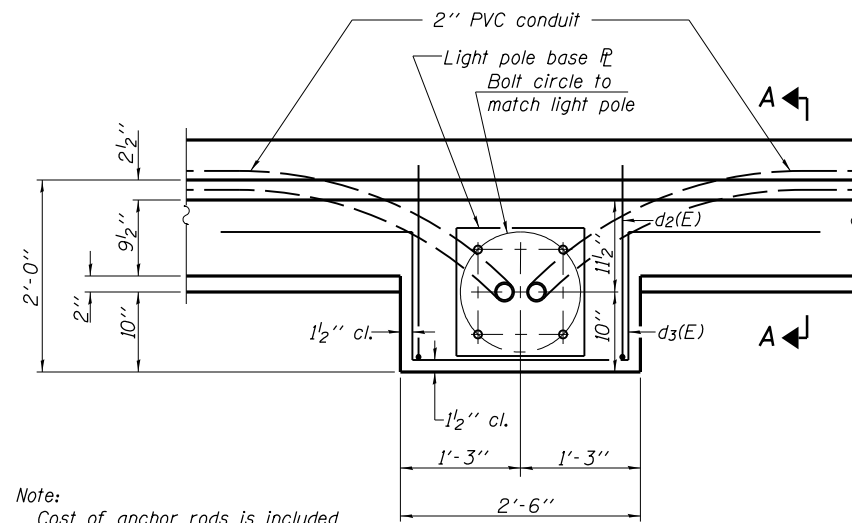


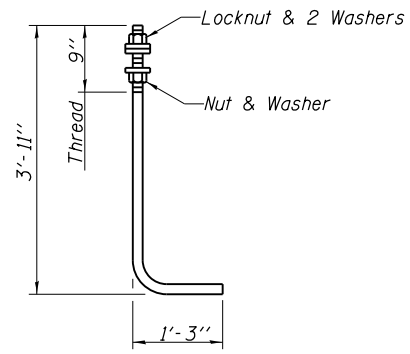
**SUPERSTRUCTURE  
BILL OF MATERIAL**

Bar	No.	Size	Length	Shape
a <sub>2</sub> (E)	524	#6	6'-6"	—
a <sub>40</sub> (E)	524	#5	30'-10"	—
a <sub>41</sub> (E)	160	#5	34'-11"	—
a <sub>42</sub> (E)	160	#5	27'-3"	—
a <sub>43</sub> (E)	42	#6	10'-9"	—
a <sub>45</sub> (E)	30	#6	27'-4"	—
b <sub>40</sub> (E)	310	#5	26'-7"	—
b <sub>41</sub> (E)	220	#5	32'-5"	—
d(E)	262	#5	5'-7"	—
d <sub>1</sub> (E)	262	#5	7'-0"	—
d <sub>2</sub> (E)	3	#6	4'-5"	—
d <sub>3</sub> (E)	5	#6	8'-11"	—
e(E)	84	#4	19'-7"	—
e <sub>1</sub> (E)	8	#4	31'-6"	—
e <sub>2</sub> (E)	8	#8	33'-10"	—
x(E)	108	#5	6'-5"	—
Reinforcement Bars, Epoxy Coated			Lbs.	56,520
Concrete Superstructure			Cu. Yds.	212.9



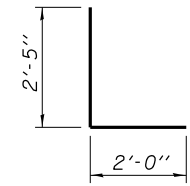
**PLAN**

Note:  
Cost of anchor rods is included with Concrete Superstructure.

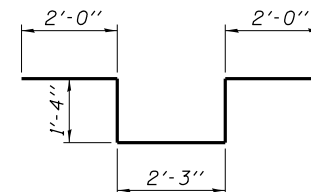
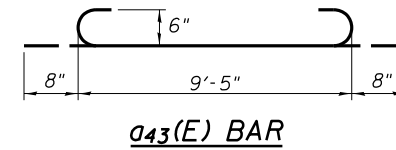


**ANCHOR ROD**

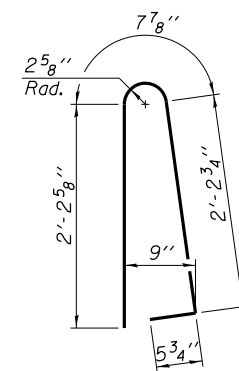
Diameter as specified for light poles. (ASTM F 1554 Grade 105) Full length Hot Dipped Galvanized.



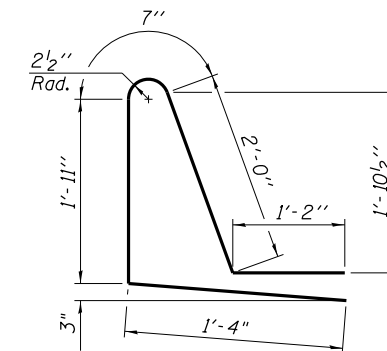
**BAR d<sub>2</sub>(E)**



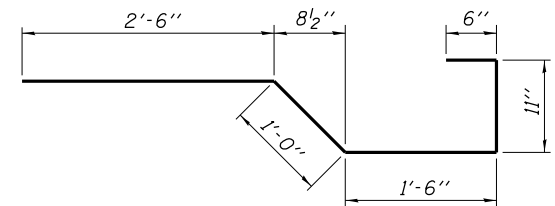
**BAR d<sub>3</sub>(E)**



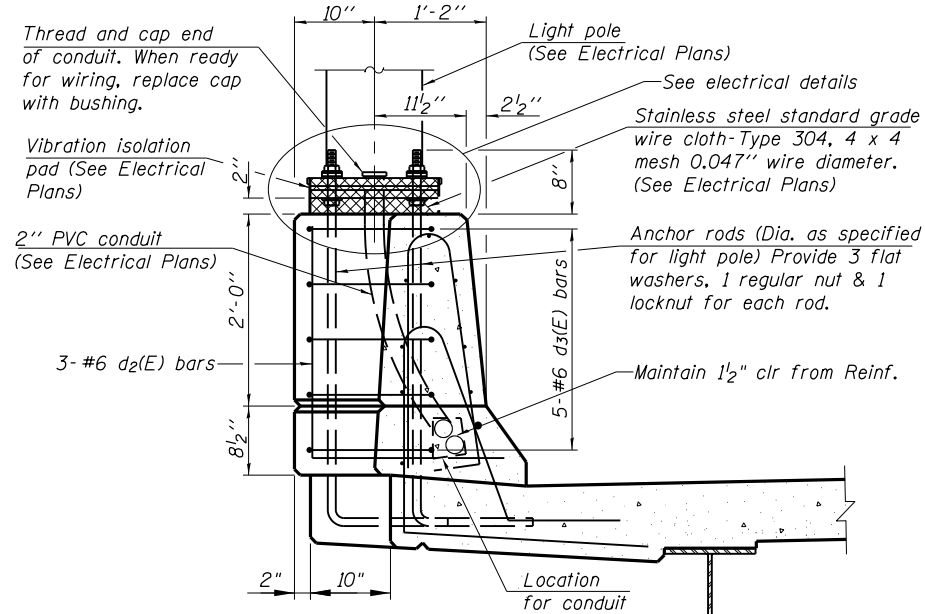
**BAR d(E)**



**BAR d<sub>1</sub>(E)**



**BAR x(E)**



**SECTION A-A**

N:\ROSEMONT\11000\CADD\Sheets\Fabrication\_CADD\_Sheets\40-0167942-0168037-012\_Super.dgn

<p>CHRISTOPHER B. BURKE ENGINEERING, LTD. 8575 W. Higgins Road, Suite 600 Rosemont, Illinois 60018 (647) 924-8900</p>	USER NAME =	DESIGNED - MM	REVISED
		CHECKED - JMB	REVISED
	PLOT SCALE =	DRAWN - PDR	REVISED
	PLOT DATE =	CHECKED - MM	REVISED

**STATE OF ILLINOIS  
DEPARTMENT OF TRANSPORTATION**

**SUPERSTRUCTURE DETAILS  
SB MANNHEIM ROAD BRIDGE - STRUCTURE NO. 016-7942**

SHEET NO. S-12 OF S-27 SHEETS

F.A. RTE.	SECTION	COUNTY	TOTAL SHEETS	SHEET NO.
330	0105-F	COOK	55	40
CONTRACT NO. 60V68				
ILLINOIS FED. AID PROJECT				

**THIS SHEET IS  
FOR INFORMATION ONLY**