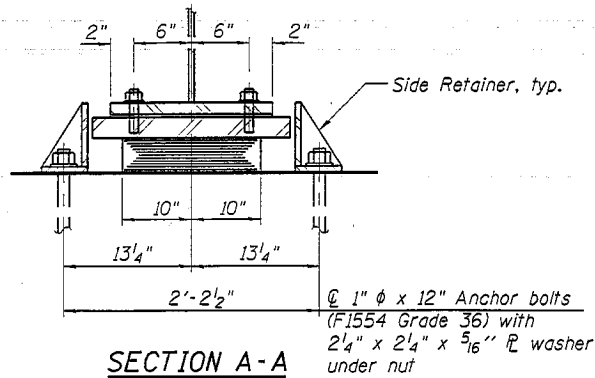
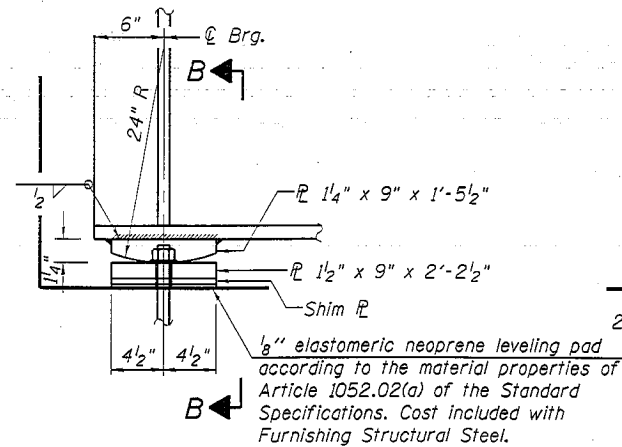


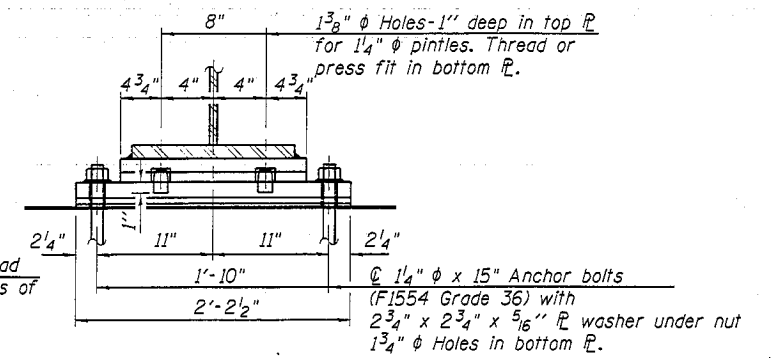
ELEVATION AT NORTH ABUT.



SECTION A-A



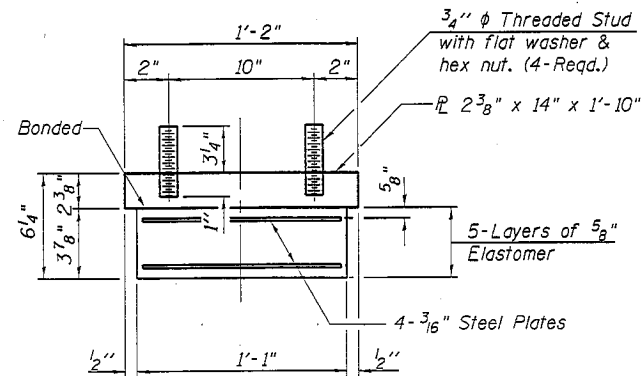
ELEVATION AT SOUTH ABUT.



SECTION B-B

TYPE I ELASTOMERIC EXP. BRG.

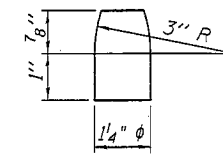
FIXED BEARING



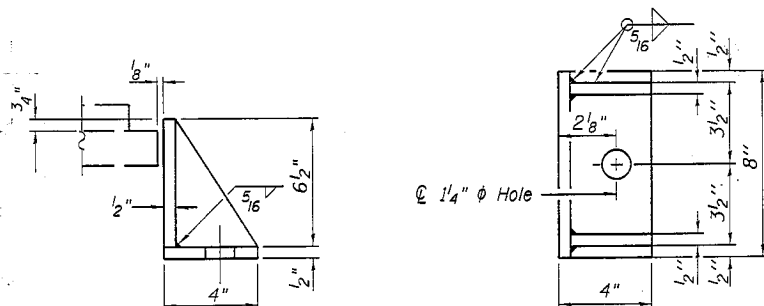
BEARING ASSEMBLY

Note:  
Shim plates shall not be placed under Bearing Assembly.

Notes:  
Anchor bolts shall be ASTM F1554 all-thread (or an Engineer-approved alternate material) of the grade(s) and diameter(s) specified. The corresponding specified grade of AASHTO M314 anchor bolts may be used in lieu of ASTM F1554.  
Anchor bolts at fixed bearings may be either cast in place or installed in holes drilled after the supported member is in place.  
Anchor bolts for side retainers may be cast in place or installed in holes drilled before or after members are in place.  
Drilled and set anchor bolts shall be installed according to Article 521.06 of the Standard Specifications.  
Side retainers and other steel members required for the elastomeric bearing assembly shall be included in the cost of Furnishing Elastomeric Bearing Assembly, Type I.



PINTLE



SIDE RETAINER

Equivalent rolled angle with stiffeners will be allowed in lieu of welded plates.

BILL OF MATERIAL

Item	Unit	Total
Furnishing Elastomeric Bearing Assembly Type I	Each	8
* Anchor Bolts, 1"	Each	16
* Anchor Bolts, 1 1/4"	Each	16

\* FOR INFORMATION ONLY

I:\PROJECTS\1009\1009\CADD\_Sheets\Fabrication\_CADD\_Sheets\48-0167942-0168637-026\_Brg-dtl.dgn

CHRISTOPHER B. BURKE ENGINEERING, LTD. 9375 W. Higgins Road, Suite 800 Rosemont, Illinois 60018 (847) 923-9500	USER NAME =	DESIGNED - MM	REVISED	STATE OF ILLINOIS DEPARTMENT OF TRANSPORTATION	BEARING DETAILS SB MANNHEIM ROAD BRIDGE - STRUCTURE NO. 016-7942	F.A. RTE.	SECTION	COUNTY	TOTAL SHEETS	SHEET NO.	
	PLOT SCALE =	DRAWN - PDR	REVISED			330	0105-F	COOK	55	48	
	PLOT DATE =	CHECKED - MM	REVISED			SHEET NO. 5-20 OF 5-27 SHEETS			CONTRACT NO. 60V68		
							ILLINOIS FED. AID PROJECT				