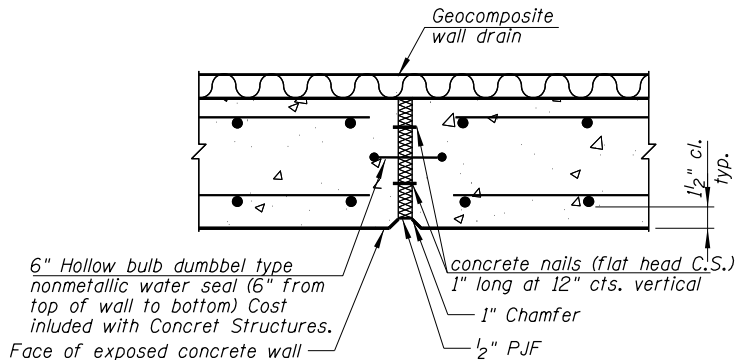
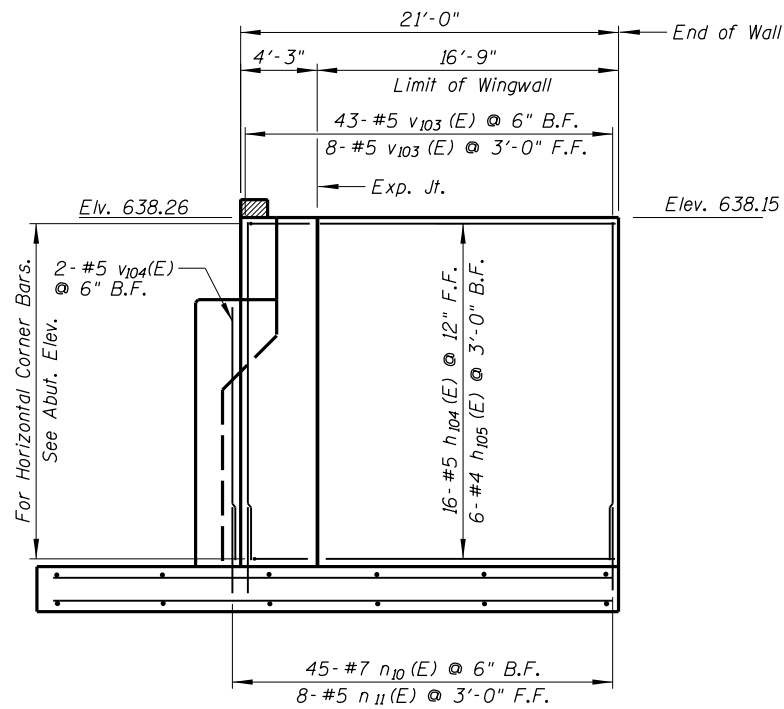


**FOOTING PLAN**

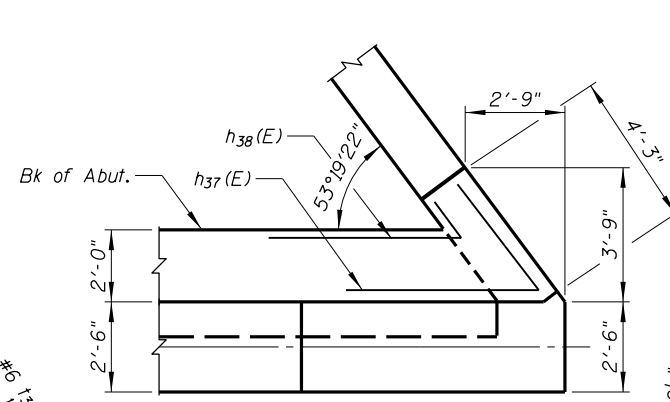
\* Order Bars Full Length Cut To Fit Skew and Use Remainder of Bars at Bott.



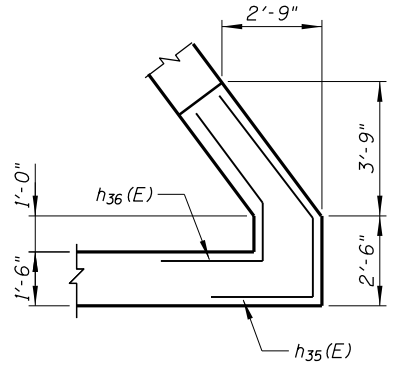
**EXPANSION JOINT**



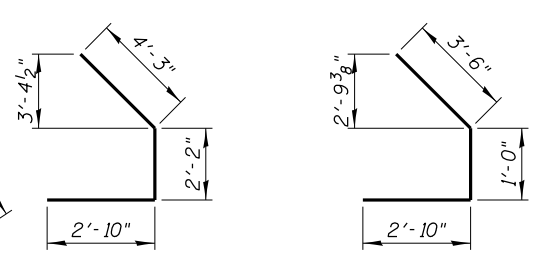
**SW WINGWALL ELEVATION**



**SECTION B-B**

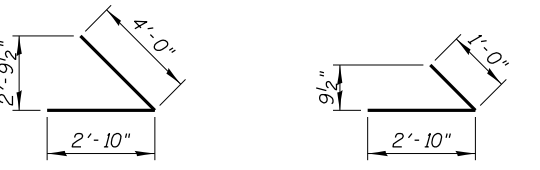


**SECTION C-C**



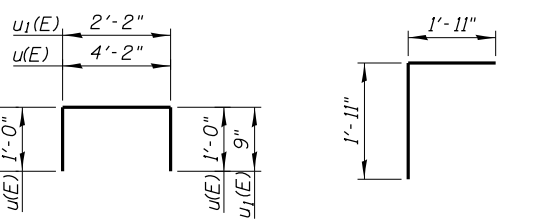
**BAR h35(E)**

**BAR h36(E)**



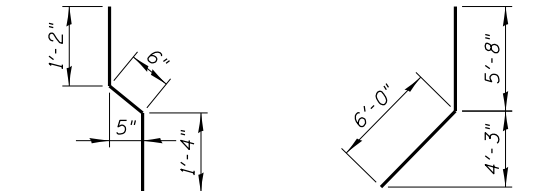
**BAR h37(E)**

**BAR h38(E)**



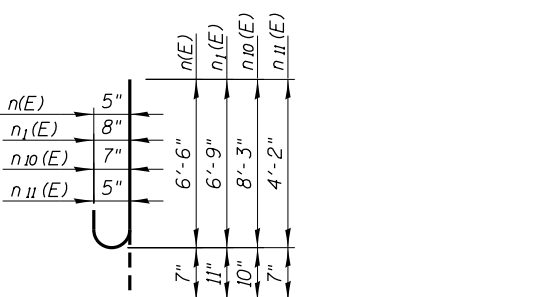
**BARS u(E) & u1(E)**

**BAR v(E)**

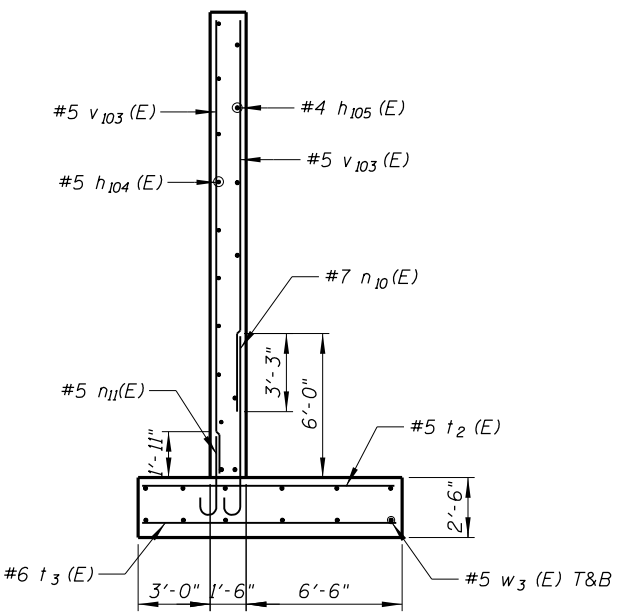


**BAR v1(E)**

**BAR v3(E)**



**BARS n(E), n1(E), n10(E) & n11(E)**



**WINGWALL TYPICAL SECTION**

**SOUTH ABUTMENT  
BILL OF MATERIAL**

Bar	No.	Size	Length	Shape
h30(E)	10	#6	34'-10"	—
h31(E)	48	#5	34'-8"	—
h32(E)	8	#4	34'-8"	—
h33(E)	4	#5	26'-2"	—
h34(E)	2	#5	29'-8"	—
h35(E)	13	#5	9'-3"	—
h36(E)	13	#5	7'-4"	—
h37(E)	4	#5	6'-10"	—
h38(E)	4	#5	3'-10"	—
h104(E)	16	#5	16'-4"	—
h105(E)	6	#4	16'-4"	—
n(E)	23	#5	7'-1"	—
n1(E)	129	#8	7'-8"	—
n10(E)	45	#7	9'-1"	—
n11(E)	8	#5	4'-9"	—
t(E)	208	#6	12'-2"	—
t2(E)	43	#5	10'-8"	—
t3(E)	31	#6	10'-8"	—
t4(E)	6	#6	3'-4"	—
u(E)	44	#5	6'-2"	—
u1(E)	55	#5	3'-8"	—
v(E)	67	#5	3'-10"	—
v1(E)	67	#4	3'-0"	—
v2(E)	67	#5	6'-2"	—
v3(E)	67	#5	11'-8"	—
v30(E)	23	#5	11'-10"	—
v31(E)	129	#6	11'-10"	—
v103(E)	51	#5	15'-0"	—
v104(E)	2	#5	11'-0"	—
w2(E)	78	#5	27'-0"	—
w3(E)	48	#5	16'-6"	—
Concrete Superstructure	Cu. Yd.		5.5	
Concrete Structures	Cu. Yd.		208	
Reinforcement Bars, Epoxy Coated	Pound		20,280	
Structure Excavation	Cu. Yd.		1,160	
Concrete Sealer	Sq. Ft.		428	
Removal and Disposal of Unsuitable Material for Structures	Cu. Yd.		115	

- NOTES:
1. Reinforcement bars designated (E) shall be epoxy coated.
  2. Bars indicated thus 1x2 - #5 etc. indicates 1 line of bars with 2 lengths per line.
  3. Space reinforcement in cap to miss anchor bolts.
  4. Pour steps monolithically with cap.
  5. Hatched area to be poured after superstructure false work has been removed. Quality of concrete included in "Concrete Superstructure".
  6. For Limits of Removal and Disposal of Unsuitable Material for Structures, See S-3 of S-27.

LEGEND:  
F.F. Front Face  
B.F. Back face  
E.F. Each face

**THIS SHEET IS  
FOR INFORMATION ONLY**

N:\ROSEMONT\11000\CADD\Sheets\Fabrication\_CADD\_Sheets\530-0167942-0168037-022\_SAbutment.dgn

CHRISTOPHER B. BURKE ENGINEERING, LTD.  
8575 W. Higgins Road, Suite 600  
Rosemont, Illinois 60018  
(847) 924-6900

USER NAME =	DESIGNED - MM	REVISED
PLOT SCALE =	CHECKED - JMB	REVISED
PLOT DATE =	DRAWN - PDR	REVISED
	CHECKED - MM	REVISED

STATE OF ILLINOIS  
DEPARTMENT OF TRANSPORTATION

SOUTH ABUTMENT - DETAILS  
SB MANNHEIM ROAD BRIDGE - STRUCTURE NO. 016-7942

F.A. RTE.	SECTION	COUNTY	TOTAL SHEETS	SHEET NO.
330	0105-F	COOK	55	50
			CONTRACT NO. 60V68	
ILLINOIS FED. AID PROJECT				

SHEET NO. S-22 OF S-27 SHEETS