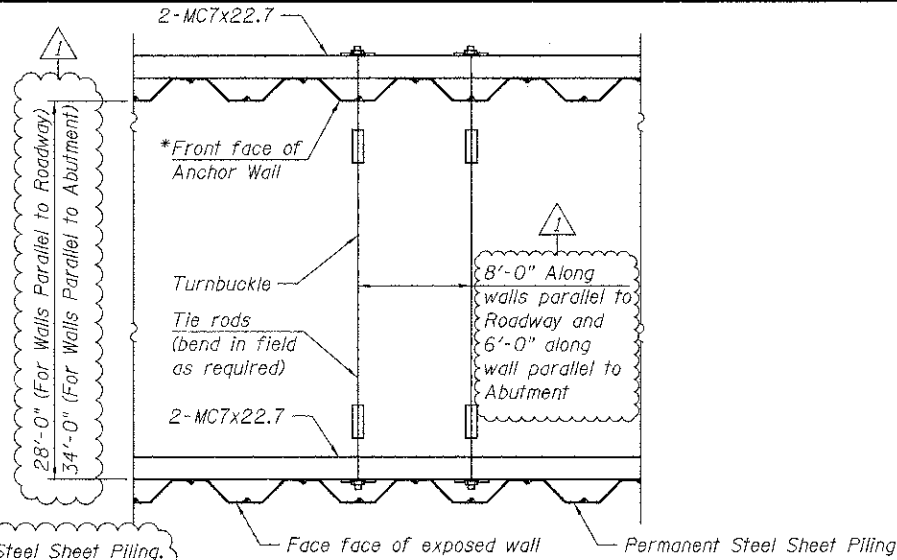
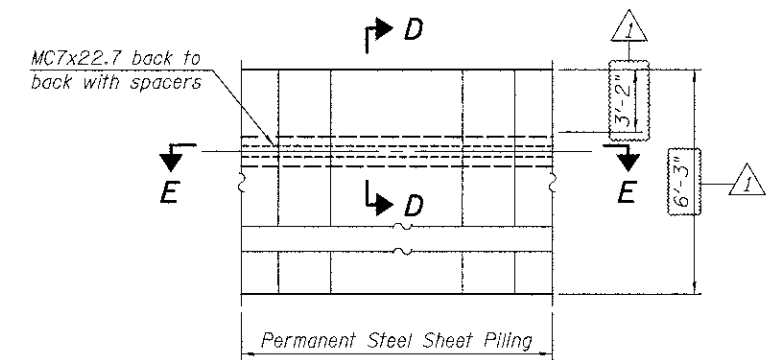


WALL PENETRATION WHALER DETAIL

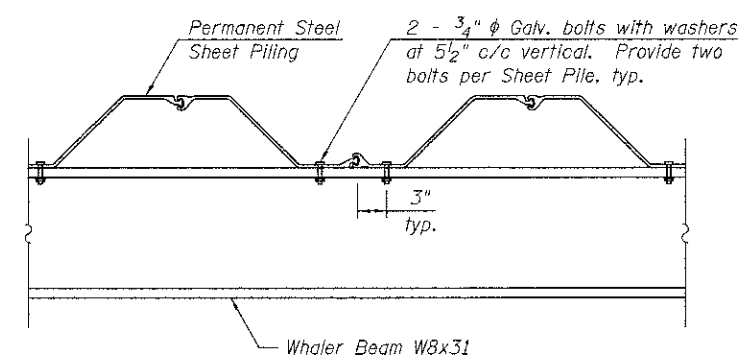
*Paid for as Permanent Steel Sheet Piling. Quantity of Permanent Steel Sheet Piling includes Anchor Wall area.



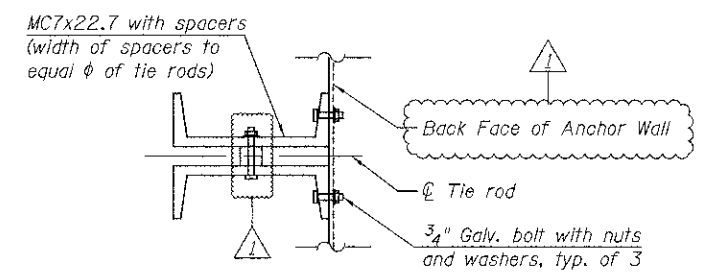
PLAN VIEW DETAIL



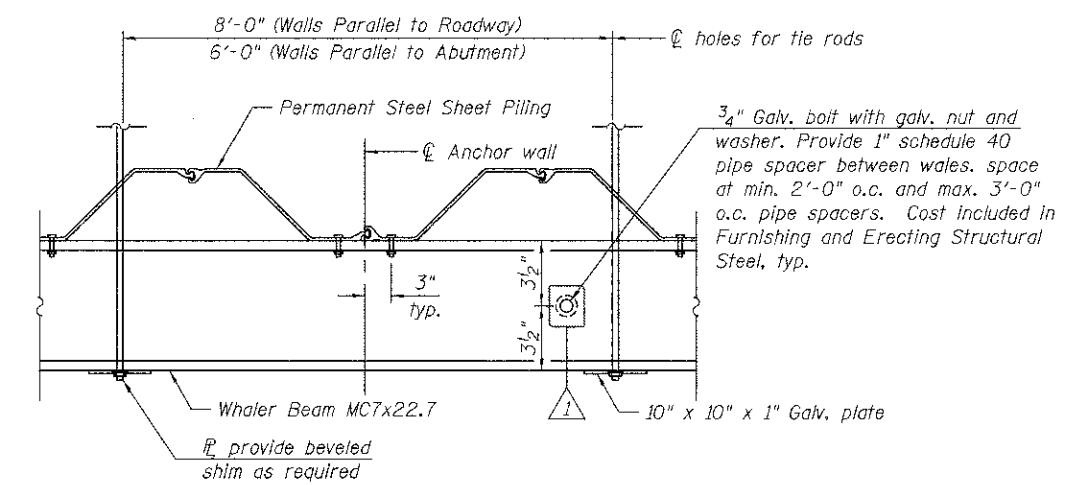
ANCHOR WALL ELEVATION



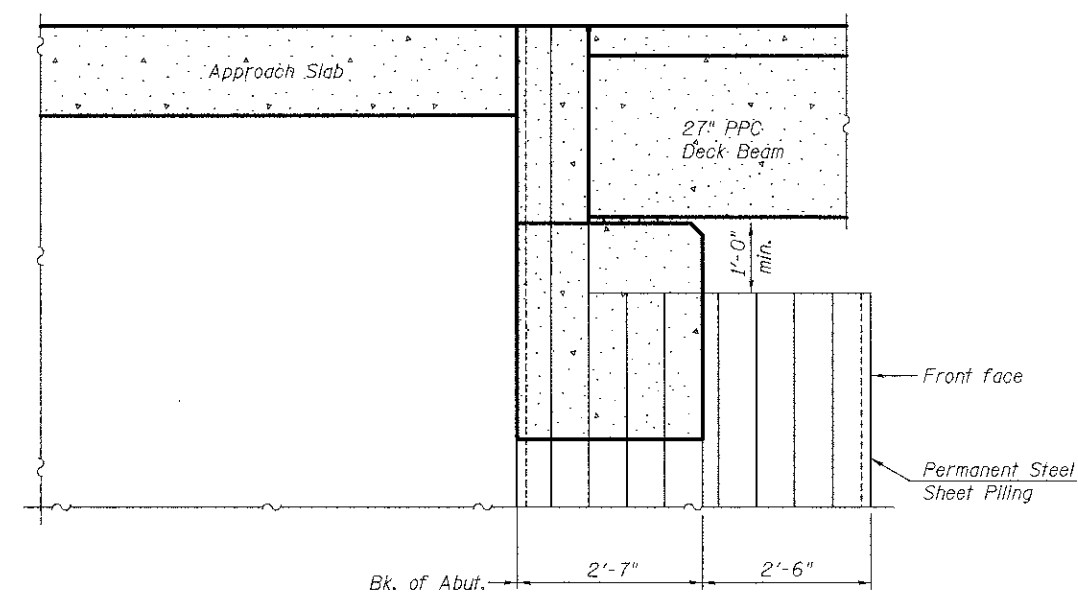
SECTION F-F



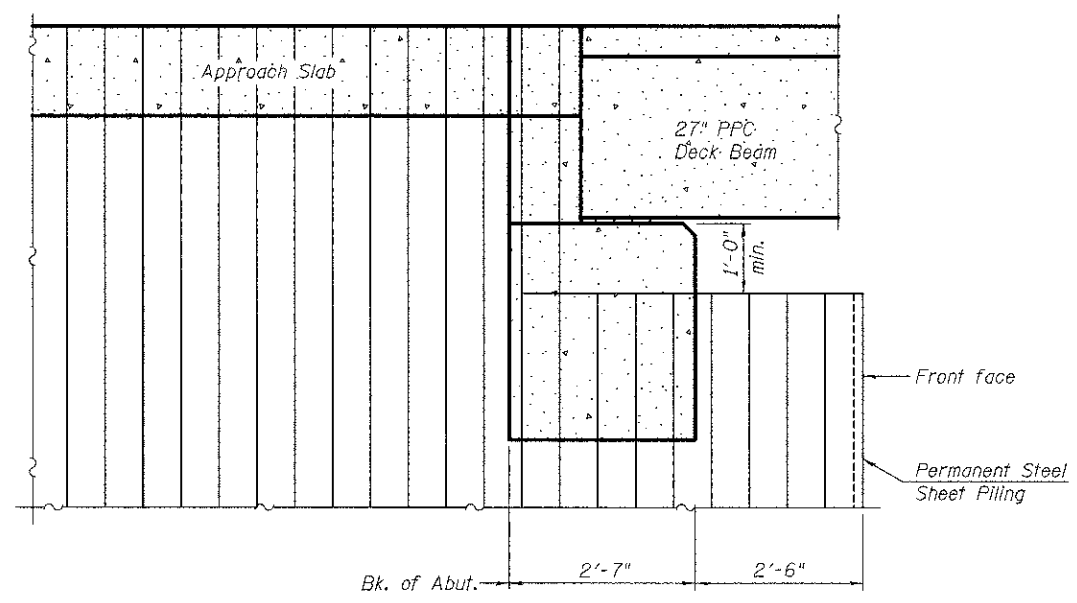
SECTION D-D
(Thru Anchor Wall)



SECTION E-E



SHEET PILE ELEVATION AT NORTH END OF EAST ABUTMENT
(North End of East Abutment)



SHEET PILE WALL ELEVATION AT ABUTMENT
(Typical at West Abutment and South End of East Abutment)

FILE NAME = S:\JUL\6800-6899-6899\Drawings\Structural\08-00-3192-63666-00-RETDETAILS.dgn

<p>1170 SOUTH HOBOLT ROAD JOLIET, ILLINOIS 60431 (815) 744-4200 IDFPR NO. 184-001273</p>	USER NAME = varnessam	DESIGNED <i>RRD</i>	REVISED - Δ 10-26-2012 <i>RRD</i>	<p>MCHENRY COUNTY DIVISION OF TRANSPORTATION HILL ROAD BRIDGE OVER NORTH BRANCH NIPPERSINK CREEK</p>	<p>RETAINING WALL DETAILS (5 OF 5) STRUCTURE NO. 056-3192</p>	TR	SECTION	COUNTY	TOTAL SHEETS	SHEET NO.
	PLOT SCALE =	CHECKED <i>AJS</i>	REVISED -			21	08-00356-00-BR	MCHENRY	77	50
	PLOT DATE = 10/26/2012	DRAWN <i>BJF</i>	REVISED -			CONTRACT NO. 63666				
		CHECKED <i>RRD</i>	REVISED -			ILLINOIS FED. AID PROJECT				