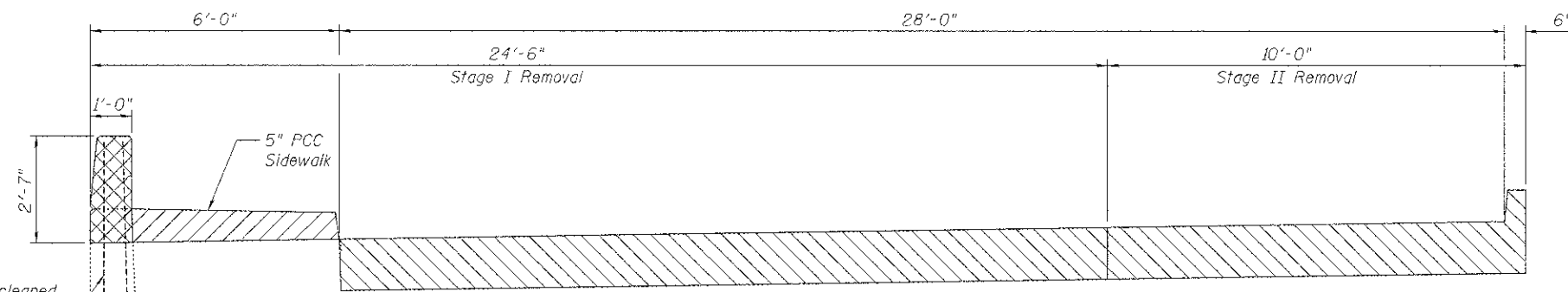


Notes:
 Removal of existing superstructure is not shown for clarity.
 Removal dimensions are approximate and based on existing plans. Field verification is required.

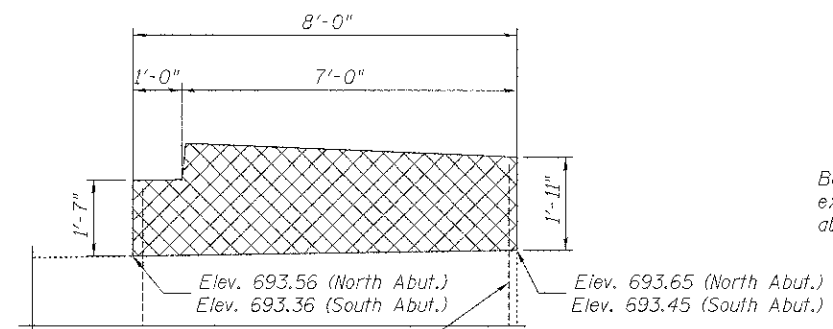
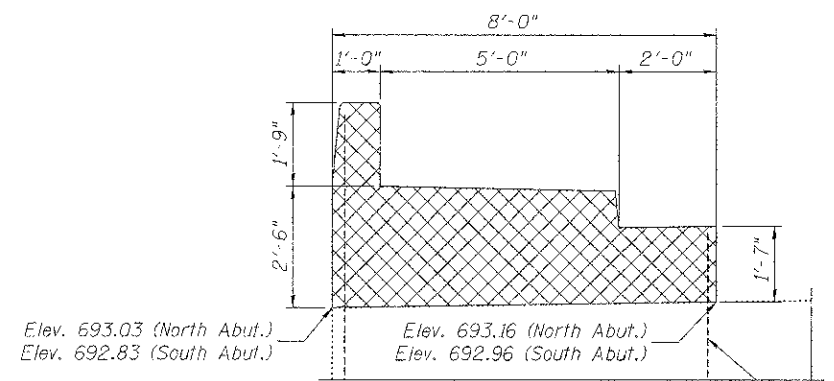


Existing vertical reinforcement shall be cleaned and incorporated into the new construction. Cost included with Concrete Removal. Damages to the existing vertical reinforcement shall be repaired at Contractor's expense.

BILL OF MATERIAL

Item	Unit	Quantity
Approach Slab Removal	Sq. Yd.	125
Concrete Removal	Cy. Yd.	6.9
Sidewalk Removal	Sq. Ft.	258

SECTION A-A



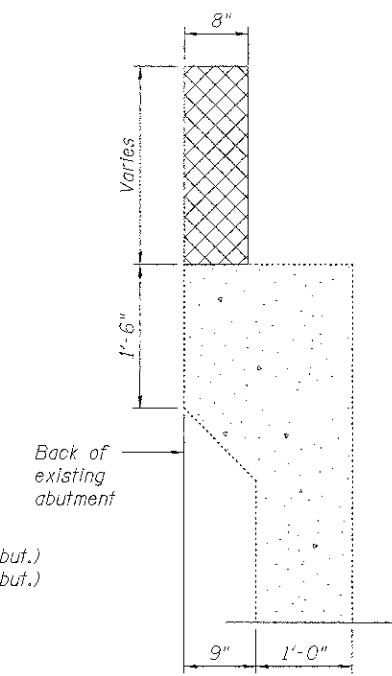
Existing vertical reinforcement shall be cleaned and incorporated into the new construction. Cost included with Concrete Removal. Damages to the existing vertical reinforcement shall be repaired at Contractor's expense, typ.

SECTION A-A

SECTION B-B

LEGEND

- Sidewalk Removal
- Approach Slab Removal
- Concrete Removal



SECTION D-D

