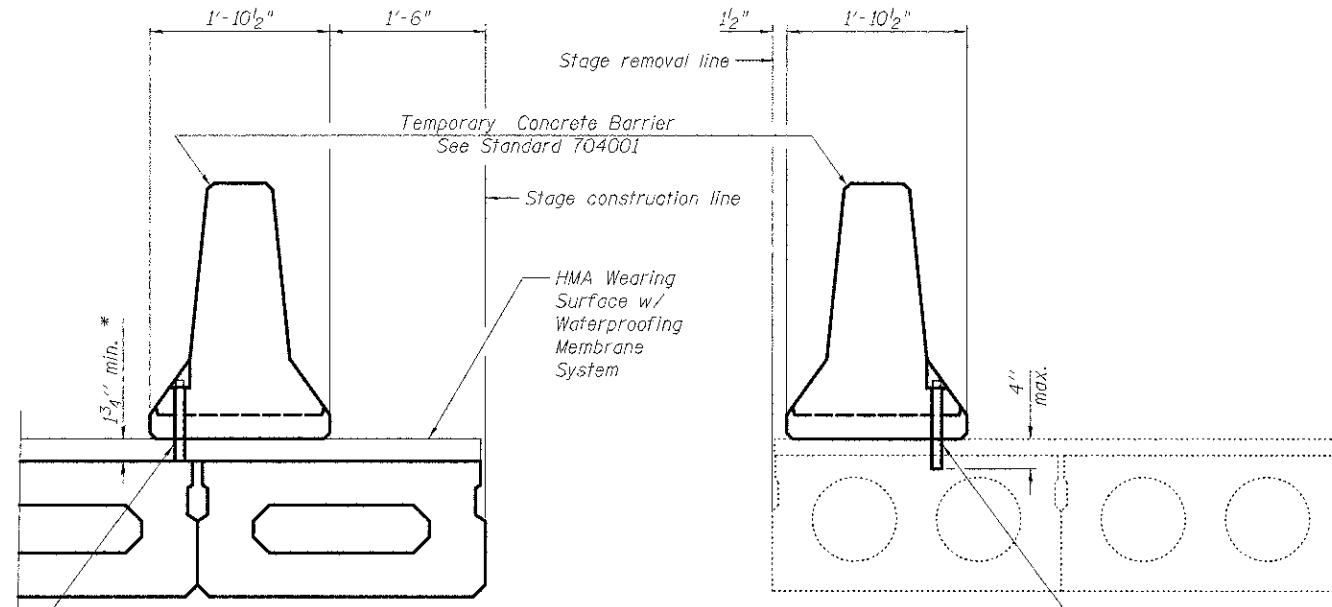


\* Drilling into PPC deck beam is prohibited. Embedment of 1 3/4" min. Dowel Bar into HMA wearing surface only.



Drill 3-1 1/4"  $\phi$  Holes in new wearing surface only for 1"  $\phi$  x 11" dowel bars. Traffic side only. Cost included with Temporary Concrete Barrier.

**NEW DECK BEAM**

Drill 3-1 1/4"  $\phi$  Holes in existing slab beam for 1"  $\phi$  x 11" dowel bars. Traffic side only. Cost included with Temporary Concrete Barrier.

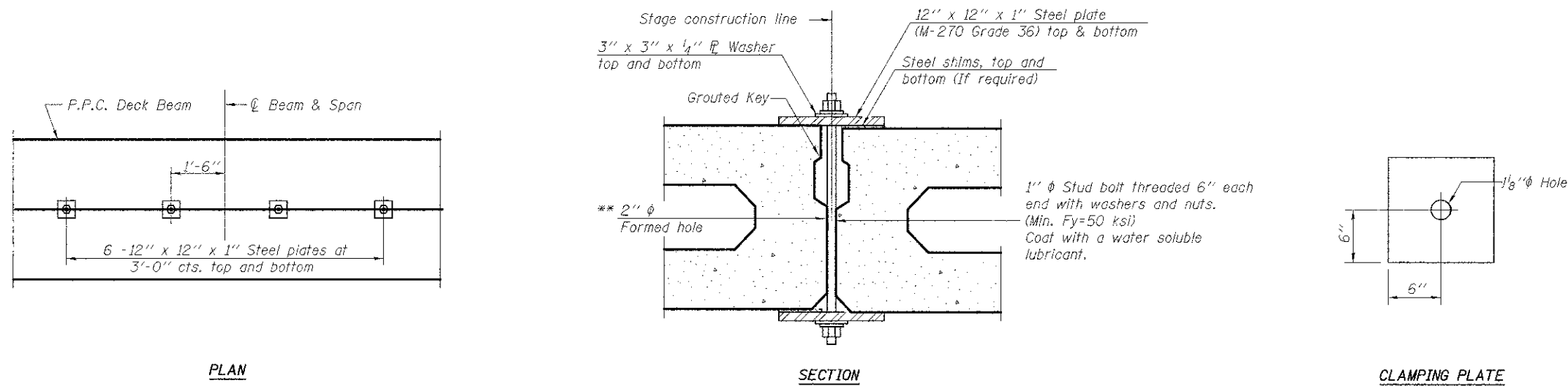
**EXISTING DECK BEAM**

**Notes:**

Any hole drilled into the new wearing surface shall be repaired upon removal of the Temporary Concrete Barrier. Cost shall be included with Temporary Concrete Barrier.

For quantity of Temporary Concrete Barrier, see Roadway Plans.

**TEMPORARY CONCRETE BARRIER FOR STAGE CONSTRUCTION**



**PLAN**

**SECTION**

**CLAMPING PLATE**

**SHEAR KEY CLAMPING DETAILS AT STAGE CONST. JT.**

Cost included with Precast Prestressed Concrete Deck Beams. See Stage Construction Sheet for traffic lanes.

\*\* Cast semicircular recesses in the sides of each beam adjacent to the stage construction line. These recesses should align to form a hole at the appropriate locations for the clamping device bolts.



FILE NAME = 0493055-63531-025-StageDetail.dgn	USER NAME =	DESIGNED - JY	REVISED -	<b>STATE OF ILLINOIS DEPARTMENT OF TRANSPORTATION</b>	<b>STAGE CONSTRUCTION DETAILS STRUCTURE NO. 049-3055</b>	F.A.U. RTE. 2626	SECTION 05-00193-04-BR	COUNTY LAKE	TOTAL SHEETS 37	SHEET NO. 16	
	PLOT SCALE =	DRAWN - KO	REVISED -			SHEET NO. 5 OF 15 SHEETS			CONTRACT NO. 63713		
	PLOT DATE =	CHECKED - WPM	REVISED -			ILLINOIS FED. AID PROJECT					