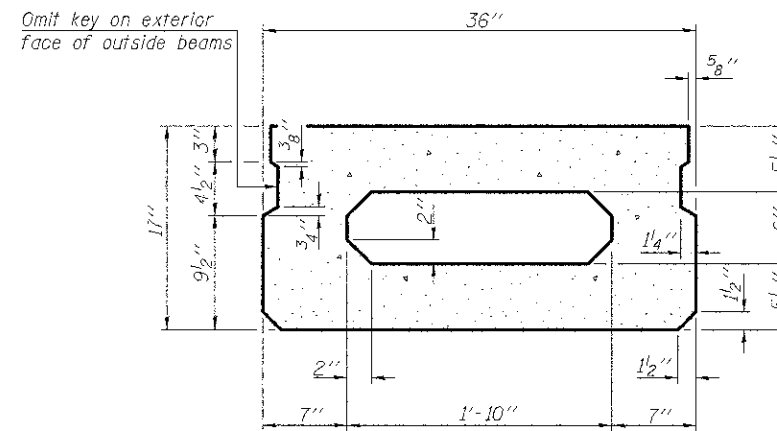
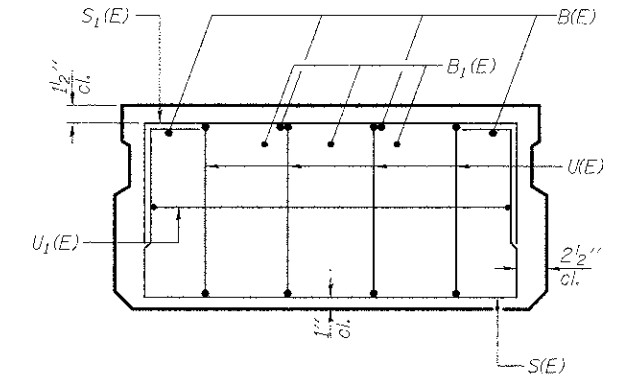


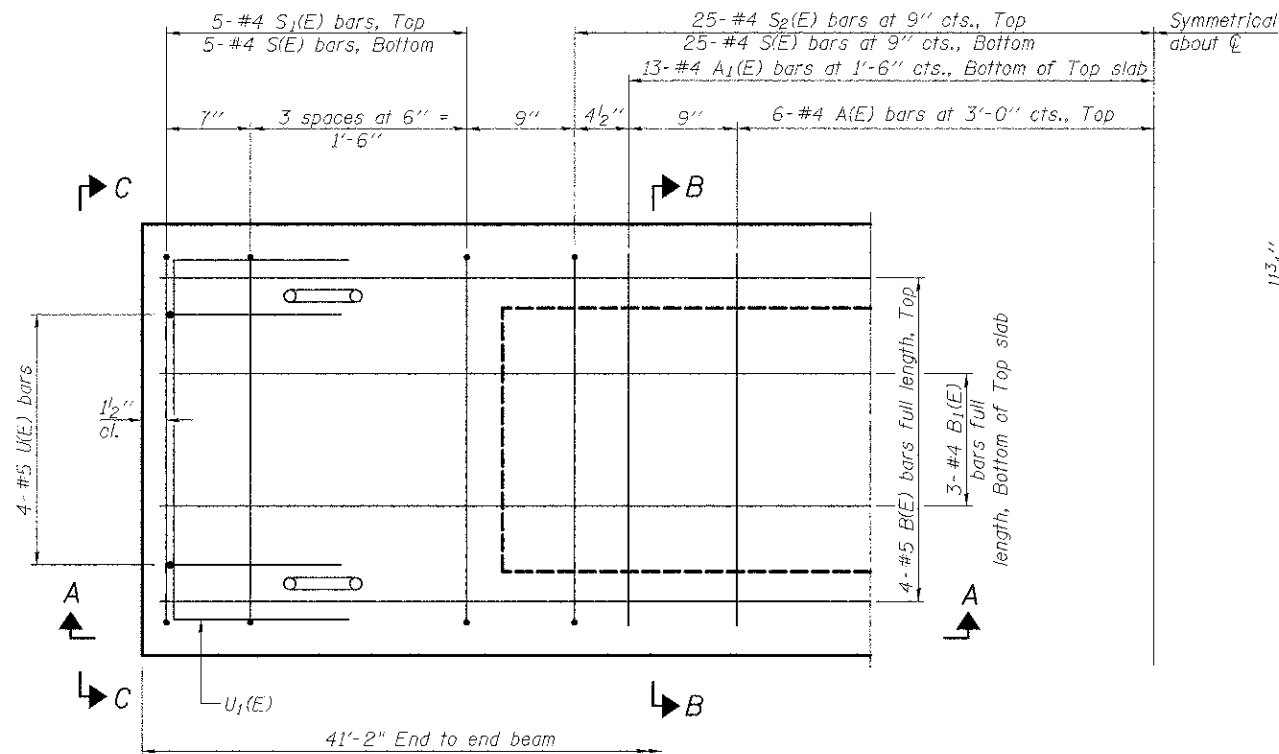
SECTION A-A



SECTION B-B
(Showing dimensions)

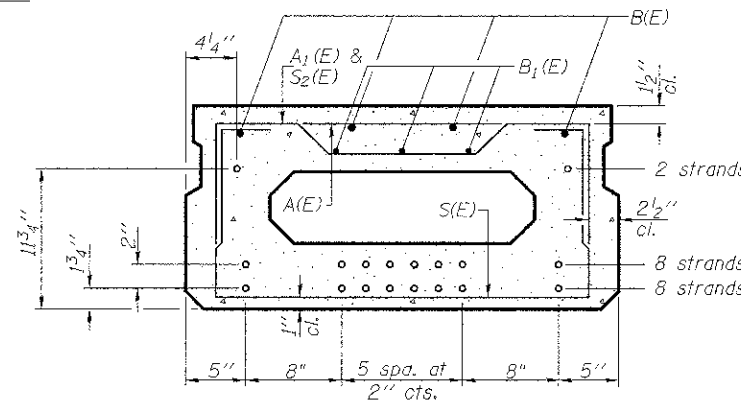


VIEW C-C



PLAN VIEW

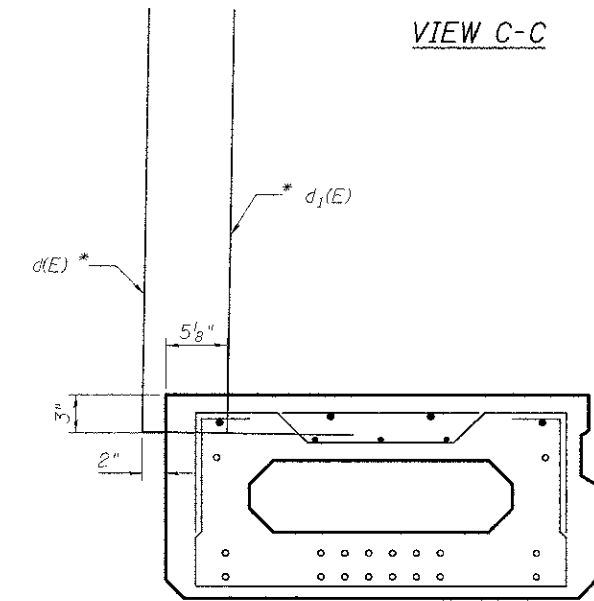
Symmetrical about C



SECTION B-B

(Showing reinforcement and permissible strand locations)

Note: Place the number of strands specified in each row symmetrically about the centerline of beam in the permissible strand locations shown.



BEAM 1

BAR LIST
ONE BEAM ONLY
(For information only)

Bar	No.	Size	Length	Shape
A(E)	12	#4	2'-7"	—
A1(E)	25	#4	2'-10"	—
B(E)	4	#5	40'-11"	—
B1(E)	3	#4	40'-11"	—
S(E)	60	#4	5'-9"	□
S1(E)	10	#4	4'-3"	□
S2(E)	50	#4	4'-6"	□
U(E)	8	#5	3'-8"	□
U1(E)	2	#4	5'-0"	□

Note: See sheet 5 of 15 for additional details and Bill of Material.

MINIMUM BAR LAP

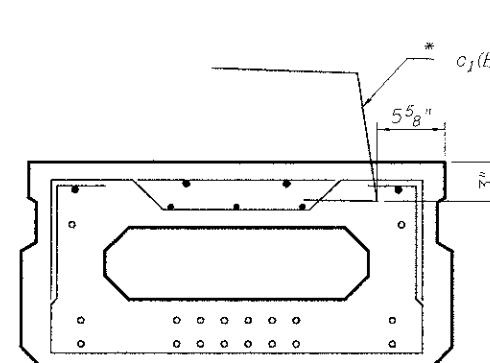
#4 bar = 2'-0"
#5 bar = 2'-6"

Note: Spacing of S1(E) and S2(E) bars may be adjusted up to 4" in the immediate area of the transverse tie diaphragms to miss the block outs for the transverse ties.

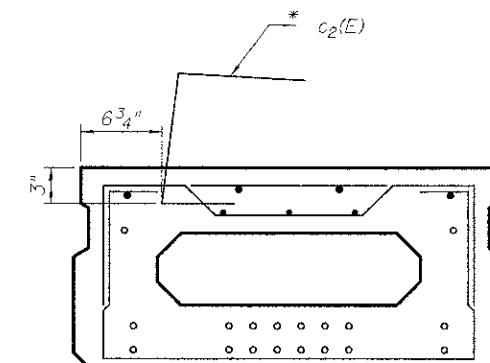
ADDITIONAL BARS *

(For information only)

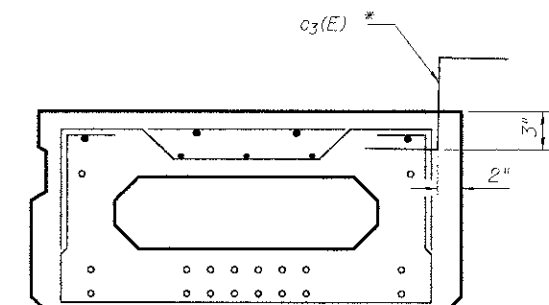
Beam	Bar	No.	Size	Length	Shape
Beam 1	d(E)	42	#4	4'-4"	L
Beam 1	d1(E)	42	#6	3'-10"	L
Beam 2	c1(E)	42	#5	2'-5"	L
Beam 12	c2(E)	42	#5	2'-4"	L
Beam 13	c3(E)	42	#5	1'-8"	L



BEAM 2



BEAM 12



BEAM 13

* These bars are additional bars required for Beams 1, 2, 12, and 13 as shown above, which is why they are not included in the "Bar List One Beam Only" table.

The bars are to be included in the cost of "Precast Prestressed Concrete Deck Beams (17" depth).



FILE NAME = 0493055-63531-007-BeamDetails2.dgn

USER NAME =

DESIGNED - WPM

REVISED -

CHECKED - JY

REVISED -

PLOT SCALE =

PLLOT DATE =

DRAWN - KO

REVISED -

CHECKED - WPM

REVISED -

STATE OF ILLINOIS
DEPARTMENT OF TRANSPORTATION

17" x 36" PPC DECK BEAM DETAILS 2
STRUCTURE NO. 049-3055

SHEET NO. 7 OF 15 SHEETS

F.A.U. R.T.E.	SECTION	COUNTY	TOTAL SHEETS	SHEET NO.
2626	05-00193-04-BR	LAKE	37	18
				CONTRACT NO. 63713

ILLINOIS FED. AID PROJECT