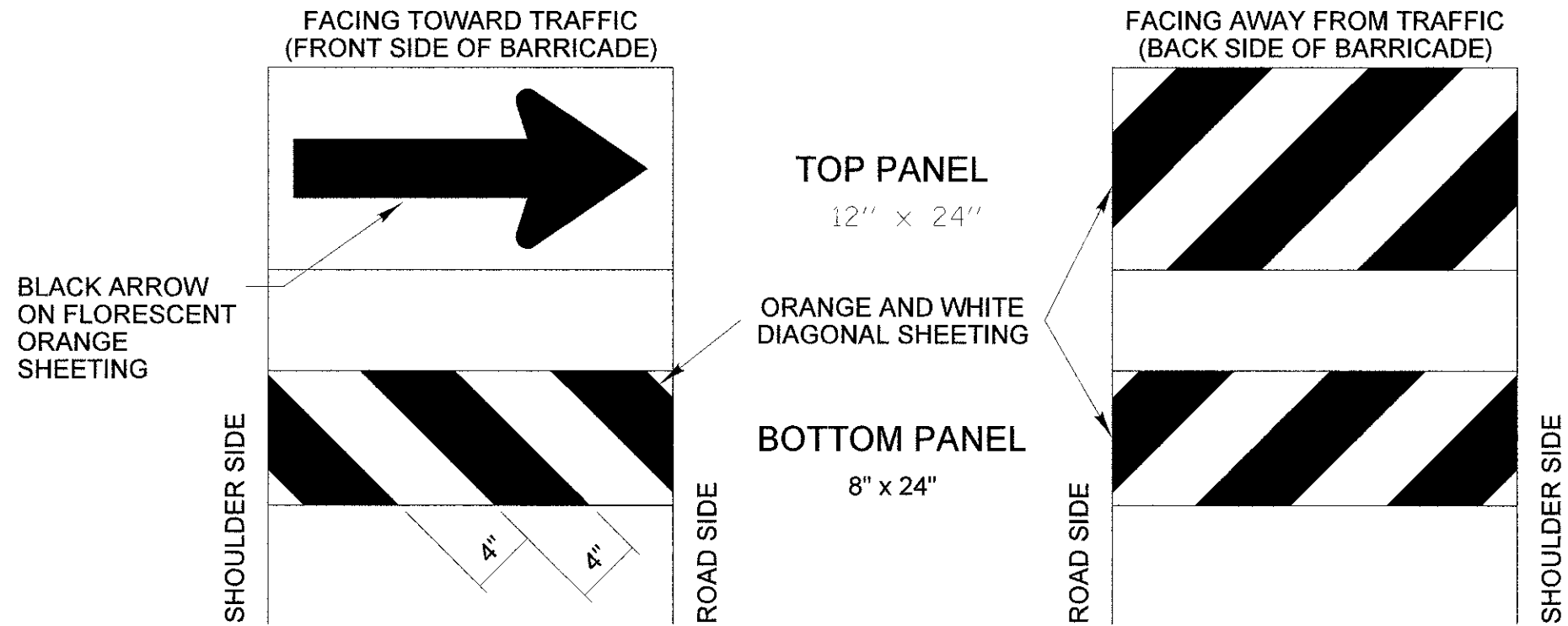
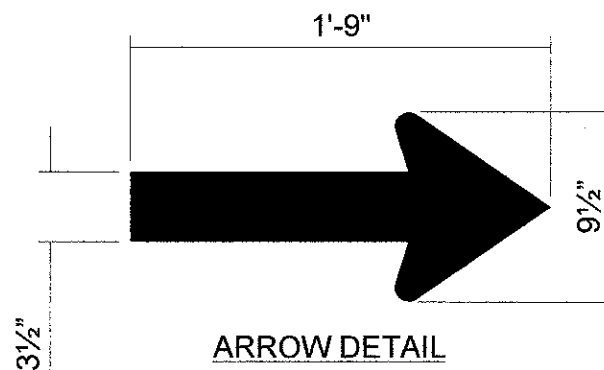


## DIRECTION INDICATOR BARRICADES



### GENERAL NOTES

- 1) Direction Indicator Barricades shall be constructed from non-metallic Type II barricades meeting the requirements of Article 1106.02 of the Standard Specifications, except where modified by this detail.
- 2) The Direction Indicator Barricades shall be equipped with Type C steady burning lights if used to channelize traffic during the hours of darkness.
- 3) The reflective sheeting for the top panel shall be Type AZ fluorescent orange. The diagonal panels shall have orange and white Type A or better reflective sheeting.



REVISIONS	DATE		
Text Update	7/15/11		

Lake County  
Division of Transportation

APPROVED BY: ANTHONY KHAWAJA  
 DATE: APRIL 1, 2007

LC7200

TYPICAL APPLICATION OF TRAFFIC CONTROL DEVICES  
 HIGHWAY CONSTRUCTION, CONTRACT MAINTENANCE  
 DIRECTION INDICATOR BARRICADES