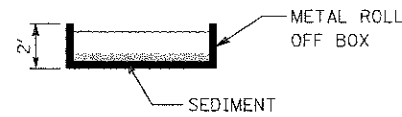
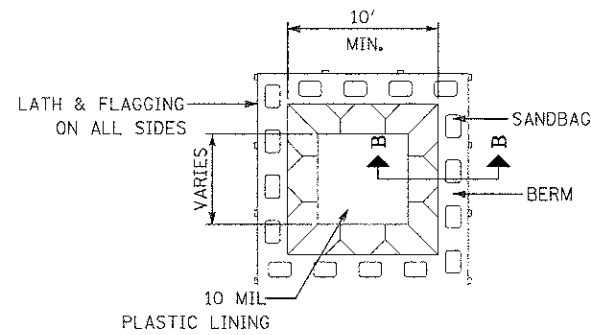


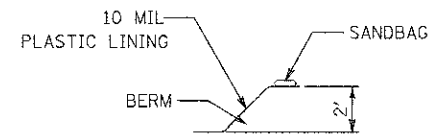
PLAN VIEW PREFAB PORTABLE WASHOUT



SECTION A-A



PLAN VIEW BELOW GRADE



SECTION B-B

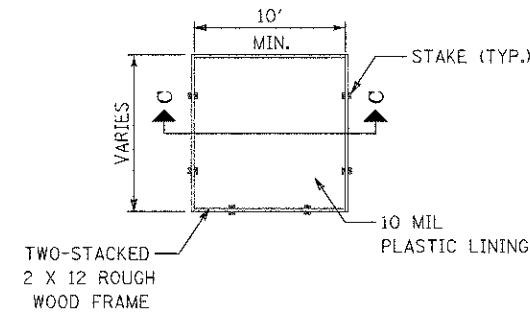
NOTES:

1. ACTUAL LAYOUT DETERMINED IN FIELD.
2. OTHER WASHOUT DESIGNS MAY BE USED IF APPROVED BY THE ENGINEER.
3. THE CONCRETE WASHOUT SIGN SHALL BE INSTALLED WITHIN 30 FEET OF THE TEMPORARY CONCRETE WASHOUT FACILITY.

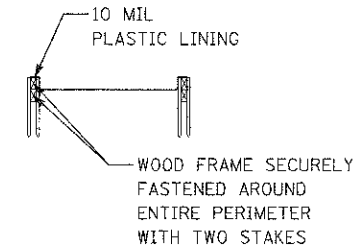
NOT TO SCALE

REVISIONS	DATE	LakeCounty Division of Transportation	APPROVED BY: MGZ DATE: March 17, 2008

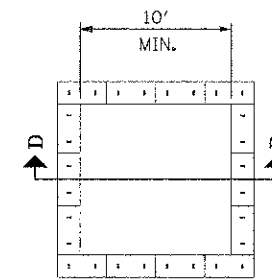
**CONCRETE WASHOUT FACILITIES**  
SHEET 1 OF 2



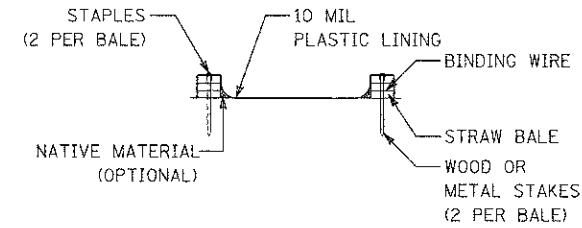
PLAN VIEW ABOVE GRADE



SECTION C-C



PLAN VIEW ABOVE GRADE WITH STRAW BALES



SECTION D-D

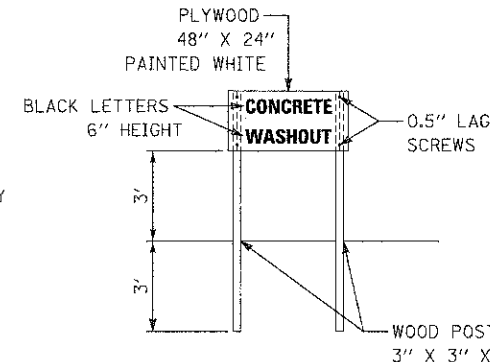
NOTES:

1. ACTUAL LAYOUT DETERMINED IN FIELD.
2. OTHER WASHOUT DESIGNS MAY BE USED IF APPROVED BY THE ENGINEER.
3. THE CONCRETE WASHOUT SIGN SHALL BE INSTALLED WITHIN 30 FEET OF THE TEMPORARY CONCRETE WASHOUT FACILITY.

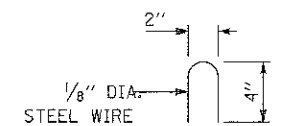
NOT TO SCALE

REVISIONS	DATE	LakeCounty Division of Transportation	APPROVED BY: MGZ DATE: March 17, 2008

**CONCRETE WASHOUT FACILITIES**  
SHEET 2 OF 2



CONCRETE WASHOUT SIGN DETAIL (OR EQUIVALENT)



STAPLE DETAIL