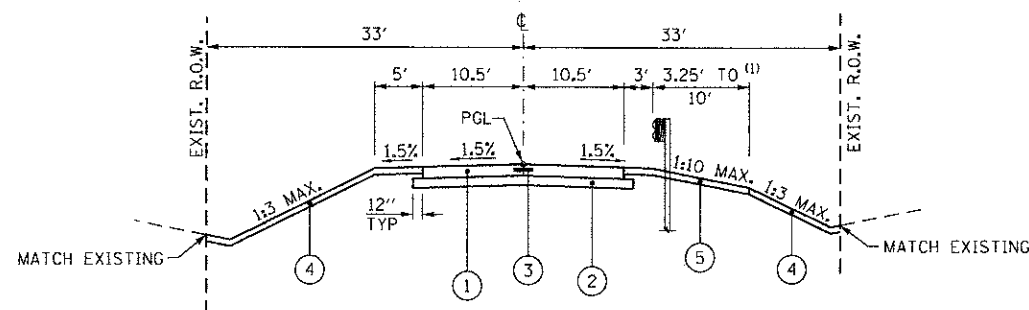


EXISTING WOODLAND DRIVE

STA. 13+26.58 TO STA. 13+52.5±
STA. 13+90.4± TO STA. 14+16.58

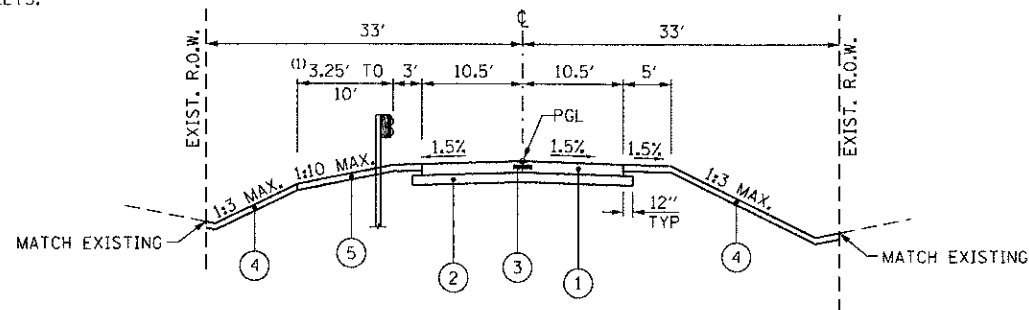


PROPOSED WOODLAND DRIVE

STA. 13+26.58 TO STA. 13+42.99

BRIDGE OMMISION

STA. 13+42.99 TO STA. 14+00.17



PROPOSED WOODLAND DRIVE

STA. 14+00.17 TO STA. 14+16.58

LEGEND - PROPOSED

- ① PORTLAND CEMENT CONCRETE PAVEMENT 7" (JOINTED)
- ② SUBBASE GRANULAR MATERIAL, TYPE B 6"
- ③ LONGITUDINAL CONSTRUCTION JOINT NO. 6 TIE BARS AT 30" CTRS.
- ④ TOPSOIL FURNISH AND PLACE, 4" AND SEEDING, CLASS 2A
- ⑤ AGGREGATE STABILIZATION (PAID FOR AS AGGREGATE SHOULDERS, TYPE B 4")

①) FOR GUARDRAIL AND SHOULDER WIDENING LIMITS, SEE PLAN SHEETS.

TREE REMOVAL (6 TO 15 UNITS DIAMETER)				
DWG*	STATION	OFFSET	RT/LT	DIAMETER
PP-1	13+79.3	18.6	LT	10
	13+85.4	19.9	LT	8
	13+93.1	23.2	LT	12
	13+94.7	17.4	RT	12
	13+96.1	23.6	LT	12
	14+62.4	25.1	LT	12
TOTAL =				66

EARTHWORK SUMMARY

ROADWAY	EARTH EXCAVATION	TOPSOIL / UNSUITABLE EXCAVATION	EXCAVATION TO BE USED IN EMBANKMENT ADJUSTED FOR SHRINKAGE*	EMBANKMENT	EARTHWORK BALANCE WASTE (+) OR SHORTAGE (-)
	CU. YD.	CU. YD.	CU. YD.	CU. YD.	CU. YD.
TEMPORARY PAVEMENT WOODLAND	0	50	0	110	-110
PROPOSED WOODLAND	12	37	12	50	-38
TOTAL	12	87	12	160	-148

EARTHWORK SUMMARY

DESCRIPTION	QUANTITY	UNIT
EARTH EXCAVATION	12	CU YD
FURNISHED EXCAVATION	148	CU YD
REMOVAL AND DISPOSAL OF UNSUITABLE MATERIAL	87	CU YD

NOTES:

1. EXISTING TOPSOIL WILL BE REMOVED AND HAULED OFFSITE AND PAID FOR AS "REMOVAL AND DISPOSAL OF UNSUITABLE MATERIAL."

2. FOR QUANTITY CALCULATIONS THE AVERAGE EXISTING TOPSOIL THICKNESS IS ASSUMED TO BE 4".

* ASSUME 15% FOR SHRINKAGE

HOT-MIX ASPHALT MIXTURE REQUIREMENTS

MIXTURE TYPE	AIR VOIDS
TEMPORARY PAVEMENT (4 1/4")	4% @ 50 Gyr.
- HOT-MIX ASPHALT SURFACE COURSE, MIX "D", N50 (IL 9.5 mm), 2"	
- HOT-MIX ASPHALT BINDER COURSE, IL-19.0 mm, 2 1/4"	

NOTES:

- THE UNIT WEIGHT USED TO CALCULATE ALL HMA SURFACE MIXTURE QUANTITIES IS 112 LBS/SO YD/IN.
- THE "AC TYPE" FOR POLYMERIZED HMA MIXES SHALL BE "SBS/SBR PG 76-22" AND FOR NON-POLYMERIZED HMA THE "AC TYPE" SHALL BE "PG 64-22" UNLESS MODIFIED BY DISTRICT ONE SPECIAL PROVISIONS.
- FOR "PERCENT OF RAP" SEE DISTRICT ONE SPECIAL PROVISIONS.

FILE NAME = 10030-SHT-TYPICAL01.dgn	USER NAME = jehrhert	DESIGNED - ---	REVISED -
		DRAWN - ---	REVISED -
		CHECKED - EJG	REVISED -
		DATE - 05/14/12	REVISED -

F.A.P. RTE.	SECTION	COUNTY	TOTAL SHEETS	SHEET NO.
	09-00010-00-BR	LAKE	41	8
TYP-1			CONTRACT NO. 63716	
ILLINOIS FED. AID PROJECT				