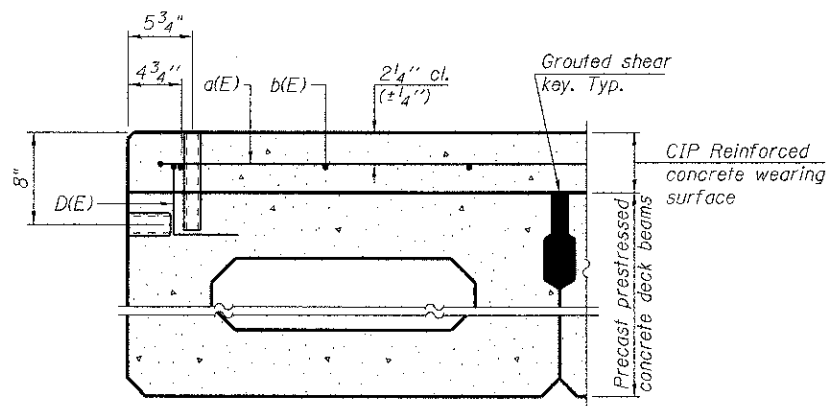


PLAN

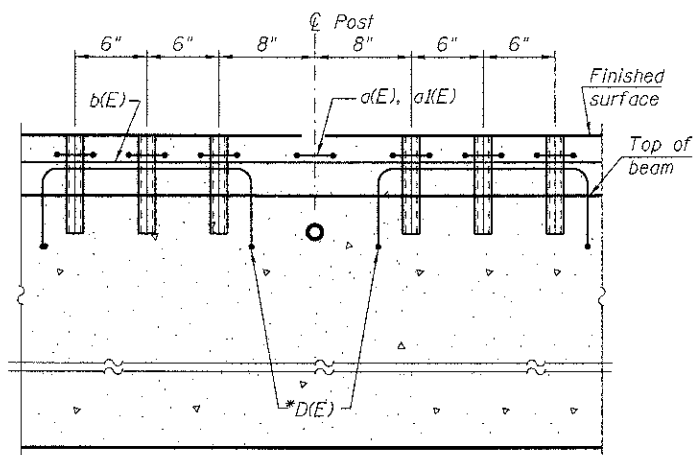
(Typ. wearing surface reinforcement)

Notes:

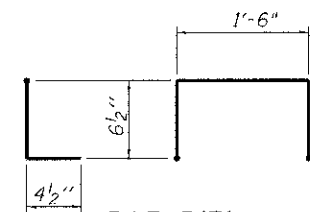
Formwork necessary for the wearing surface may be secured utilizing the bottom rail anchorage inserts and/or additional inserts cast into the beam.



SECTION THRU FASCIA BEAM

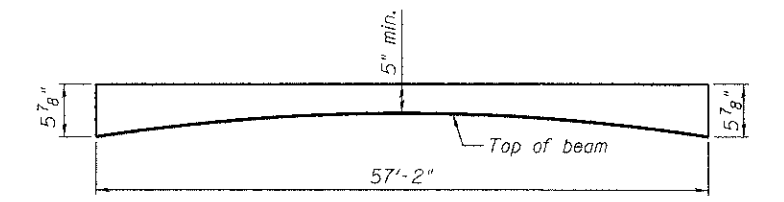


SECTION A-A

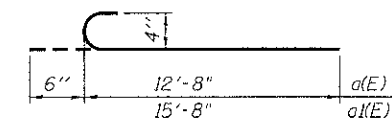


BAR D(E)

* Place 2-#4 D(E) bars in beam at each post location as shown. D(E) bar included in cost of beam.



ANTICIPATED CONCRETE WEARING SURFACE PROFILE
(For information only)



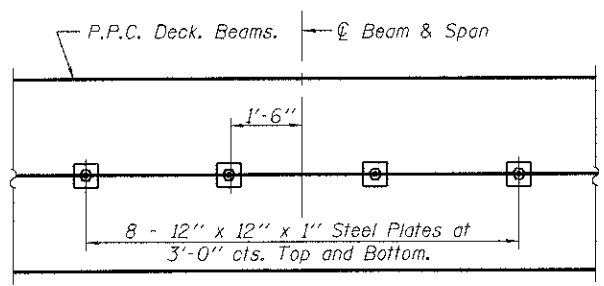
BARS a(E) and a(E)

MINIMUM BAR LAP
#4 bar = 2'-0"

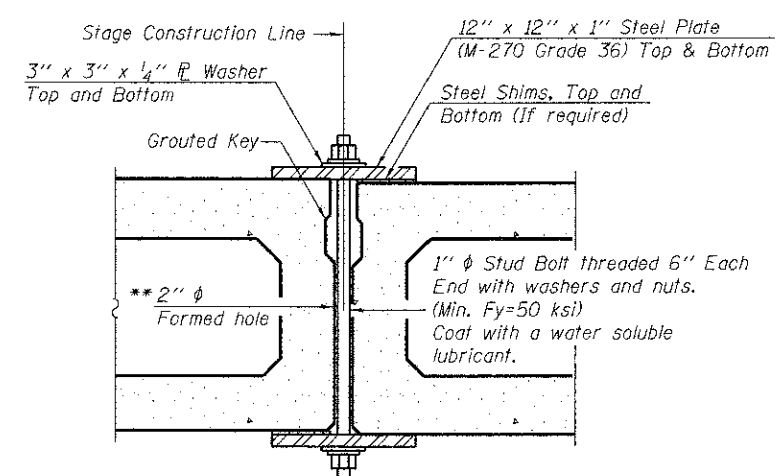
SUPERSTRUCTURE BILL OF MATERIAL

Bar	No.	Size	Length	Shape	
a(E)	81	#4	13'-2"	C	
a(E)	81	#4	16'-2"	C	
b(E)	58	#4	29'-9"	—	
Reinforcement Bars, Epoxy Coated				Pound	2,740
Concrete Wearing Surface, 5"				Sq. Yd.	185

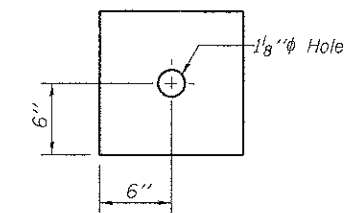
Bars indicated thus 29 x 2-#4 etc. indicates 29 line of bars with 2 lengths per line.



PLAN



SECTION



CLAMPING PLATE

SHEAR KEY CLAMPING DETAILS AT STAGE CONST. JT.

Cost included with Precast Prestressed Concrete Deck Beams.
See Stage Construction Details for traffic lanes.

** Cast semicircular recesses in the sides of each beam adjacent to the stage construction line. These recesses should align to form a hole at the appropriate locations for the clamping device bolts.