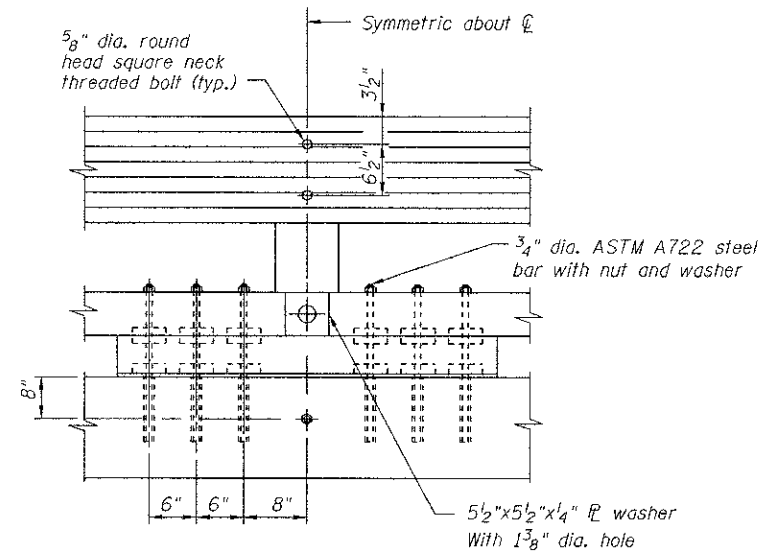
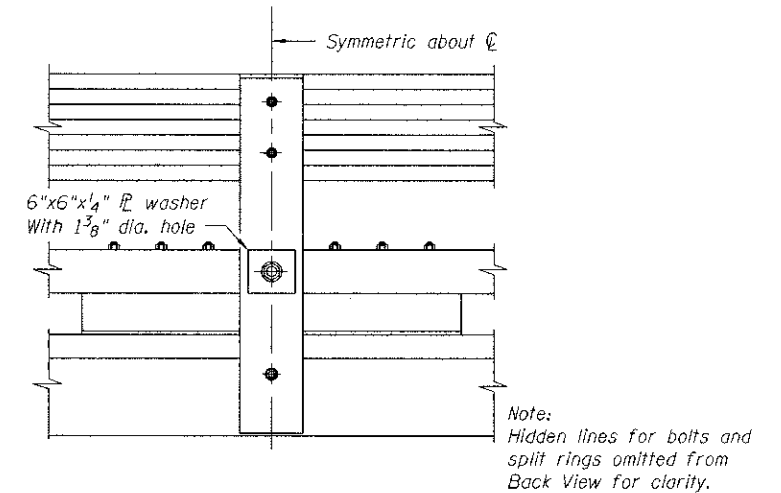


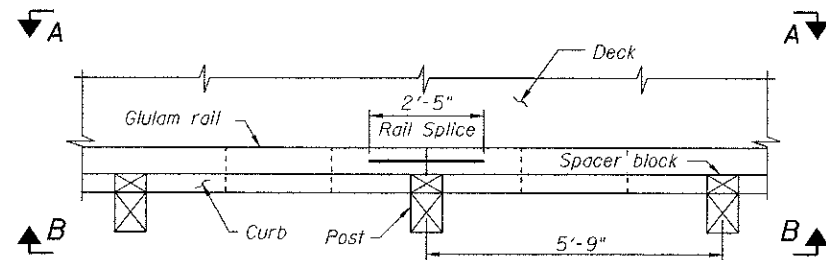
**TYPICAL WOOD RAIL MOUNTED ON CONCRETE DECK**



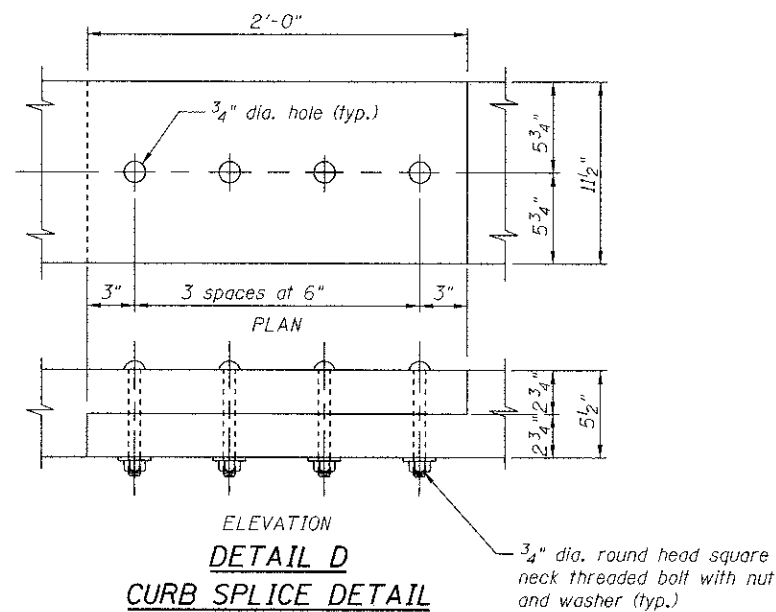
**TYPICAL WOOD RAIL ELEVATION (FRONT VIEW)**



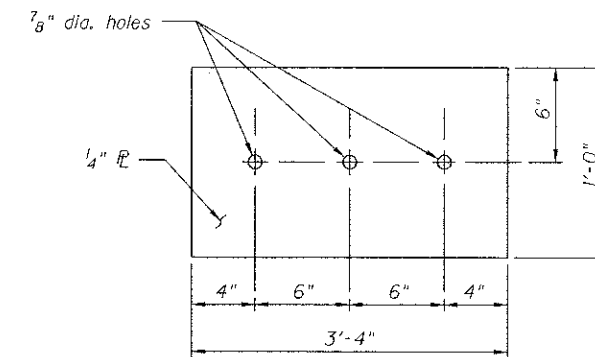
**TYPICAL WOOD RAIL ELEVATION (BACK VIEW)**



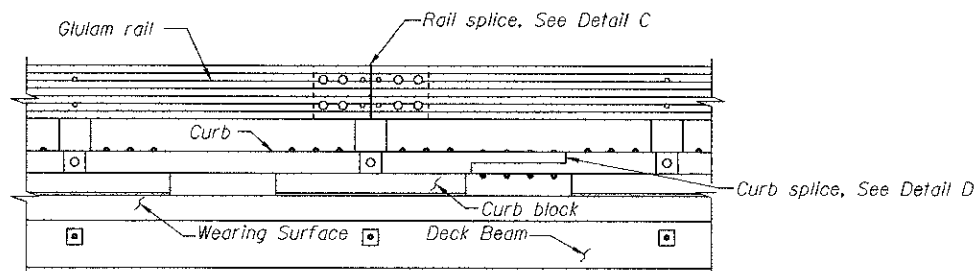
**PLAN OF WOOD RAILING**



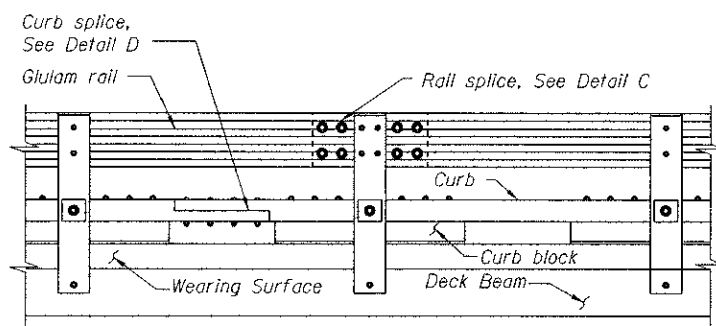
**ELEVATION DETAIL D CURB SPLICE DETAIL**



**CURB PLATE DETAIL**



**ELEVATION A-A**



**ELEVATION B-B**

**BILL OF MATERIAL**

Timber Railing	Foot	117
----------------	------	-----

**Notes:**

Curb and post connections to the 5" concrete overlay and PPC Deck Beams shall be made with embedded studs, bolted inserts or thru-bolts. The mechanical connectors shall have a minimum ultimate shear capacity of 16 kips.