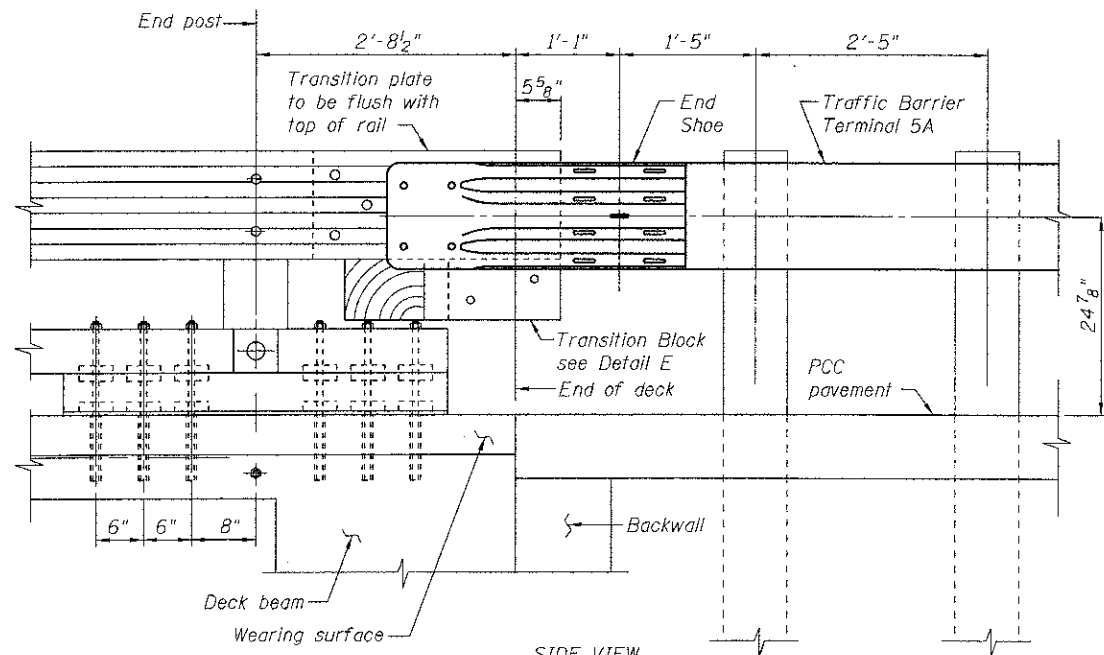
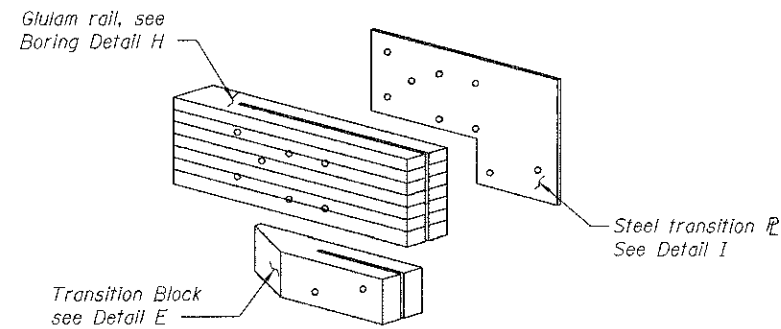


PLAN VIEW



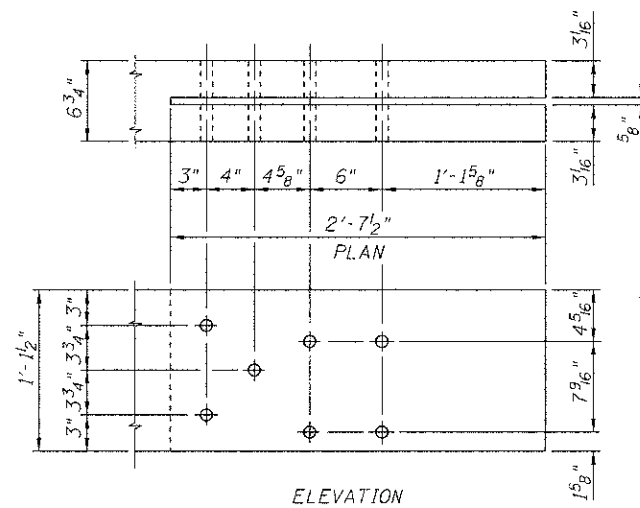
SIDE VIEW

**TRANSITION CONNECTION DETAILS**



**3-DIMENSIONAL EXPLOSION OF TRANSITION CONNECTION**

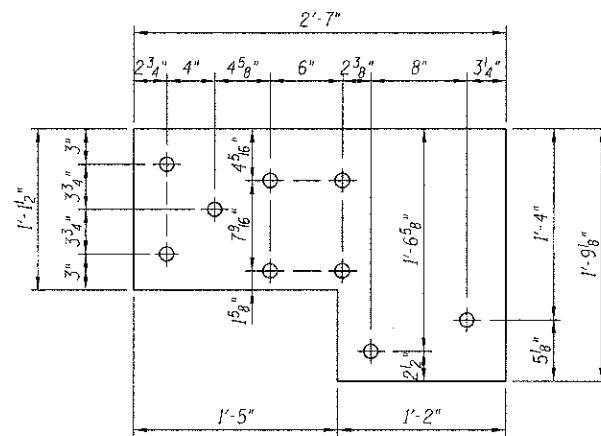
Not to scale



ELEVATION

**DETAIL H**

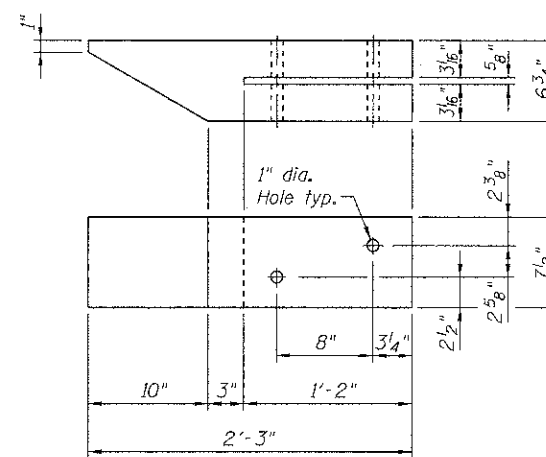
**TRANSITION GLULAM RAIL BORING DETAIL**



ELEVATION

**DETAIL I**

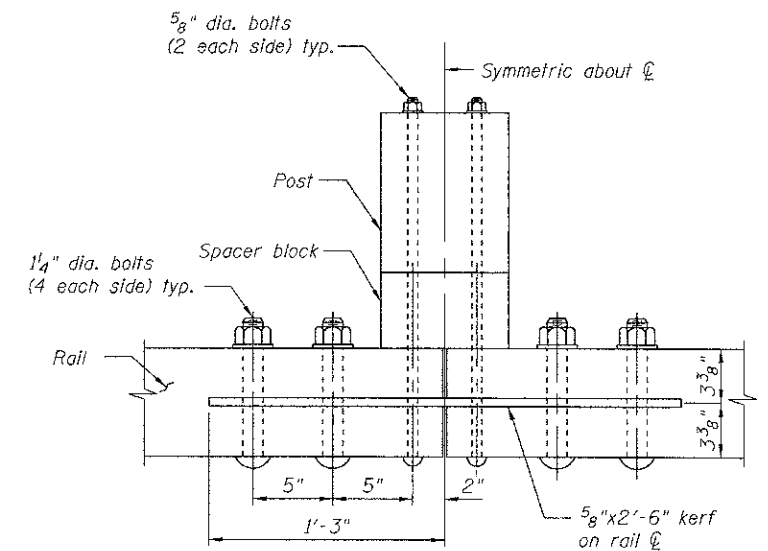
**TRANSITION PLATE**



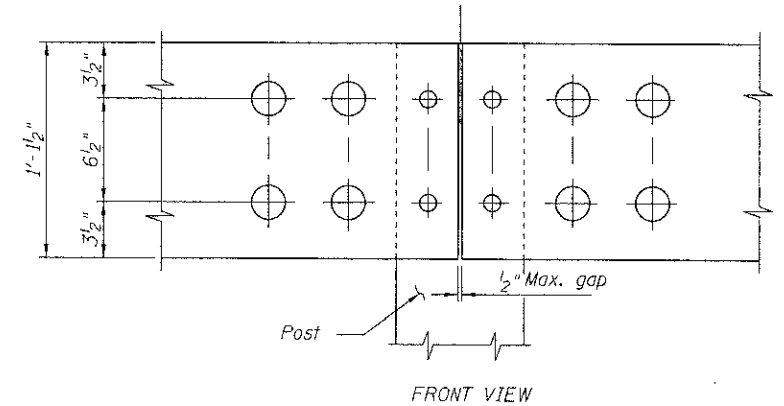
ELEVATION

**DETAIL E**

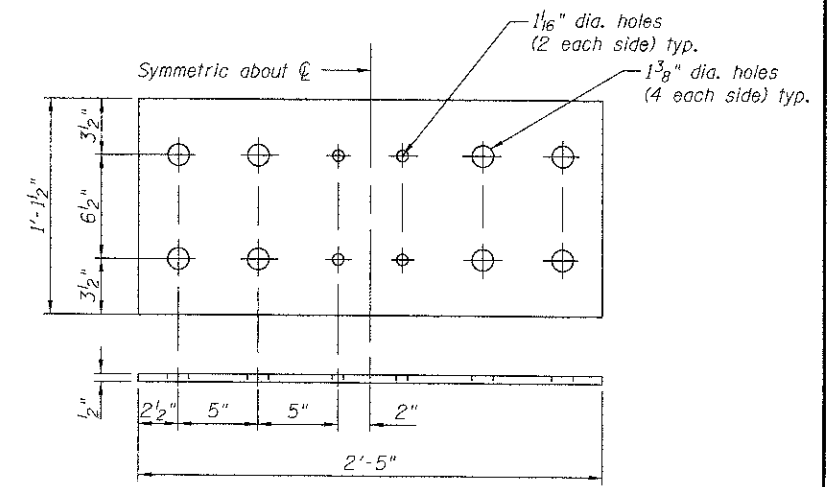
**TRANSITION BLOCK**



PLAN VIEW



FRONT VIEW



ELEVATION

**DETAIL C**

**RAIL SPLICE DETAILS**

Notes:  
For Details E, G, H and I, See BD-RT3E.