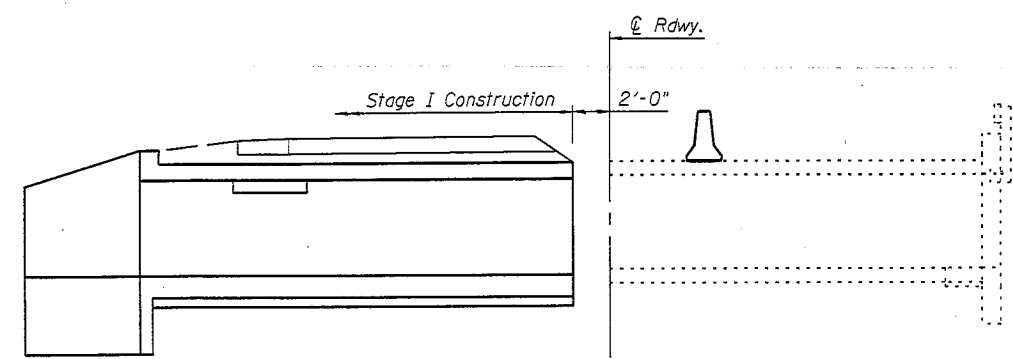
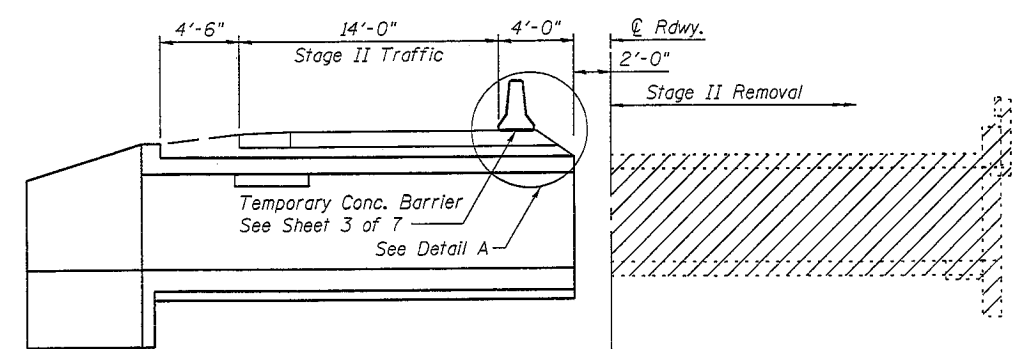


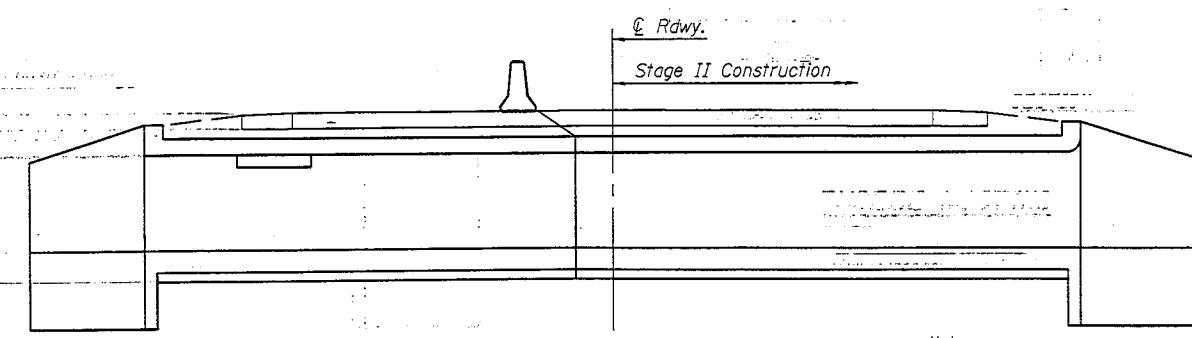
STAGE I REMOVAL



STAGE I CONSTRUCTION

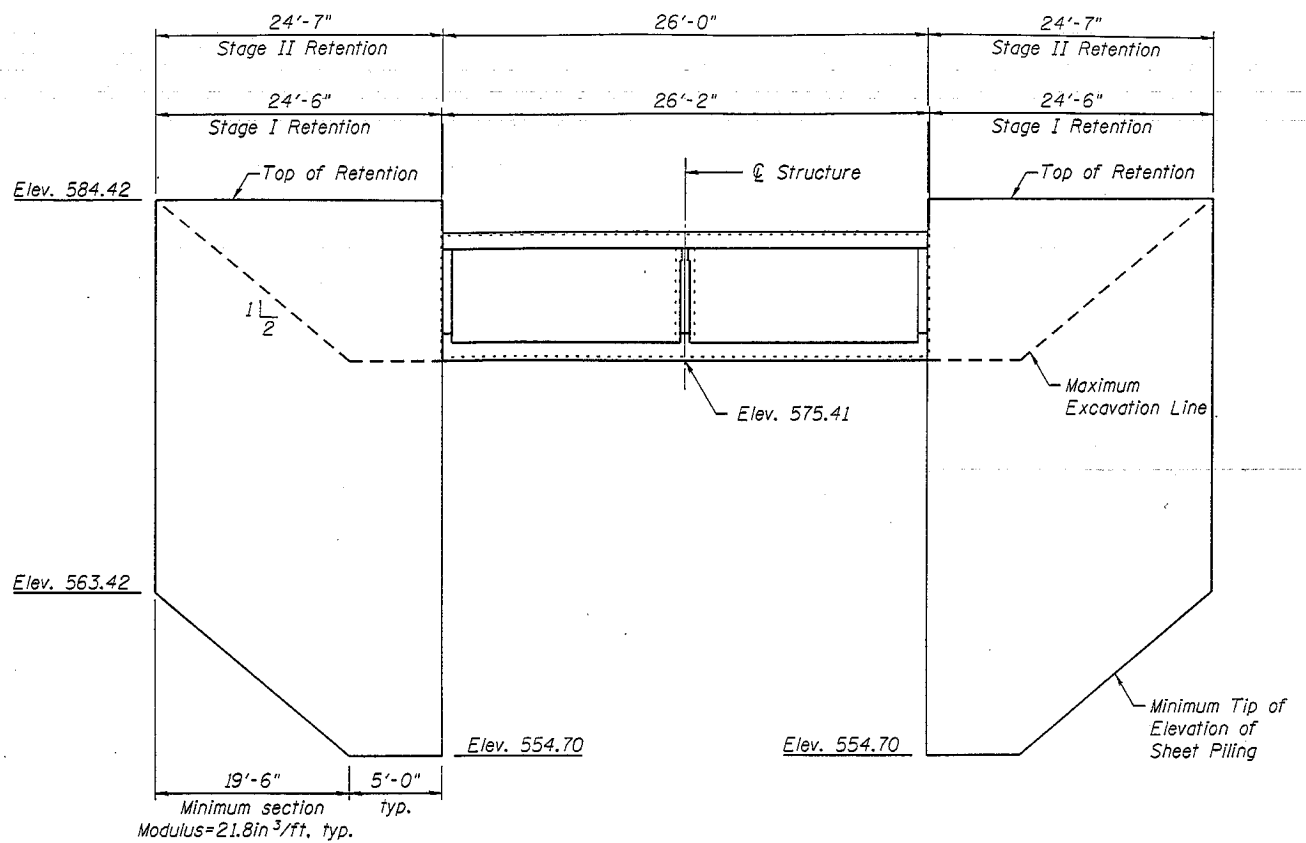


STAGE II REMOVAL



STAGE II CONSTRUCTION

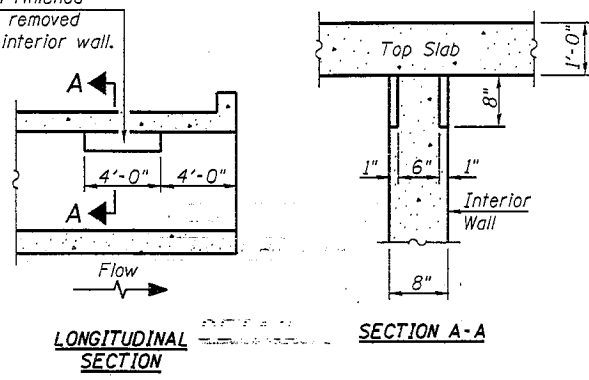
Notes:
 Hatched areas indicate removal of existing structures.
 For quantity of temporary concrete barrier, see Roadway Plans.
 All cross sections are looking north.



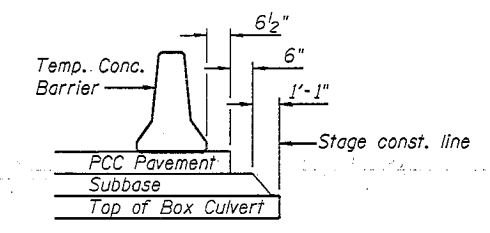
TEMPORARY SHEET PILING

Notes:
 If the Contractor chooses to alter the temporary cantilevered sheet piling design requirements shown on the plans, a design submittal including plan details and calculations will be required for review and acceptance by the Engineer.
 The Contractor shall connect the first sheet to the existing abutment wall to ensure stability of sheets driven to the top of the existing footing. This connection shall be reviewed and accepted by the Engineer and included in the cost for Temporary Sheet Piling.

Notch formed by rough finished board attached to and removed with form work, each interior wall. (Do not chamfer).



LONGITUDINAL SECTION SECTION A-A



DETAIL A

PHOEBE NESTING SITE DETAILS
 (Downstream End Only)

TOTAL BILL OF MATERIALS

ITEM	UNIT	TOTAL
Porous Granular Embankment	CU YD	27
Stone Riprap, Class A4	SQ YD	37
Filter Fabric	SQ YD	37
Turf Reinforcement Mat	SQ YD	22
Removal Of Existing Structures	EACH	1
Reinforcement Bars, Epoxy Coated	POUND	42,270
Bar Splicers	EACH	122
Name Plates	EACH	1
Concrete Box Culverts	CU YD	134
Temporary Sheet Piling	SO FT	1,316

FILE NAME = S:\01\6398-6399\6346\026\Micro\CAD\ Sheets\Structure\037074-64925-002-STAGE.dgn

SA STRAND ASSOCIATES
 1170 SOUTH HOUBOLT ROAD
 JOLIET, ILLINOIS 60431
 (815) 744-4200
 IDPR NO. 184-001273

USER NAME = brianf
 DESIGNED RRD
 CHECKED SAJ
 PLOT SCALE =
 PLOT DATE = 10/1/2012
 DRAWN BJJ
 CHECKED RRD

STATE OF ILLINOIS
 DEPARTMENT OF TRANSPORTATION

STAGE CONSTRUCTION AND TEMPORARY SHEET PILING
 STRUCTURE NO. 081-2038
 SHEET NO. 2 OF 7 SHEETS

F.A.P. RTE.	SECTION	COUNTY	TOTAL SHEETS	SHEET NO.
308	110T	ROCK ISLAND	51	29
CONTRACT NO. 64925				
ILLINOIS FED. AID PROJECT				