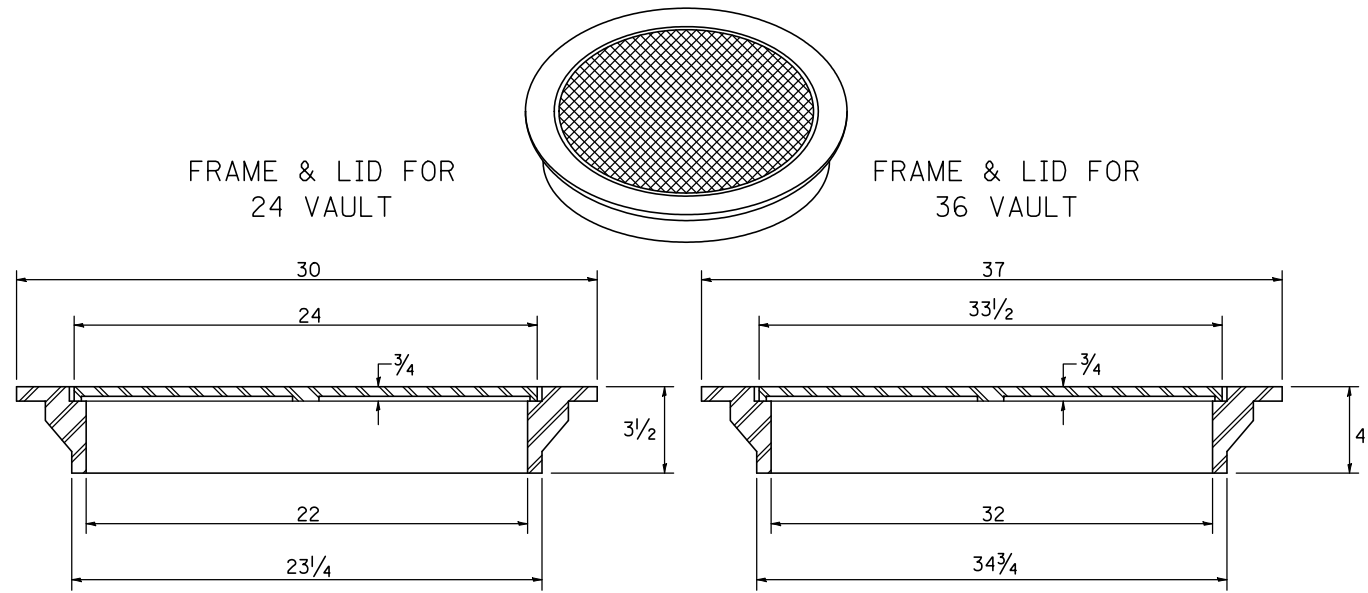
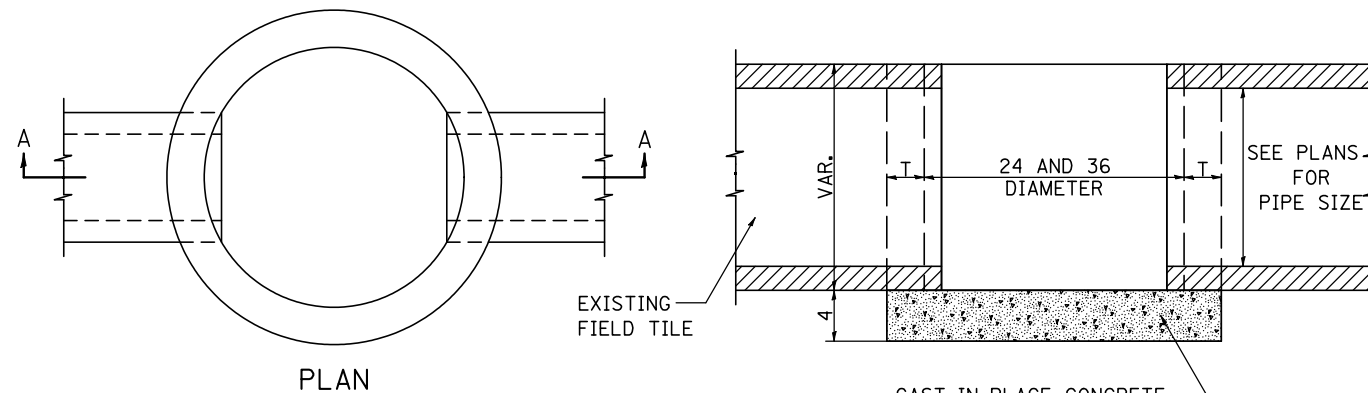


FIELD TILE JUNCTION VAULTS 24 AND 36 DIA.



TOTAL WEIGHT: 146 LBS.

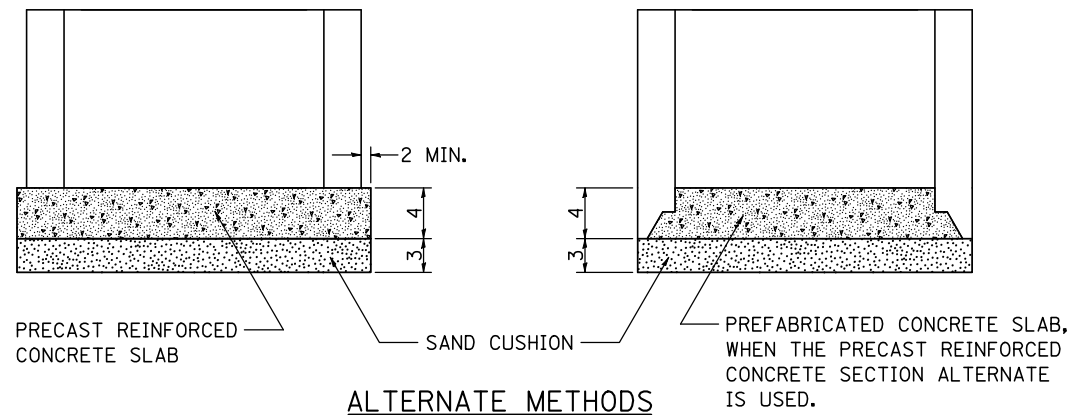
TOTAL WEIGHT: 280 LBS.



| ALTERNATE MATERIALS FOR WALLS | T |
|-------------------------------------|---|
| BRICK MASONRY | 8 |
| CAST-IN-PLACE CONCRETE | 6 |
| CONCRETE MASONRY UNIT | 5 |
| PRECAST REINFORCED CONCRETE SECTION | 3 |

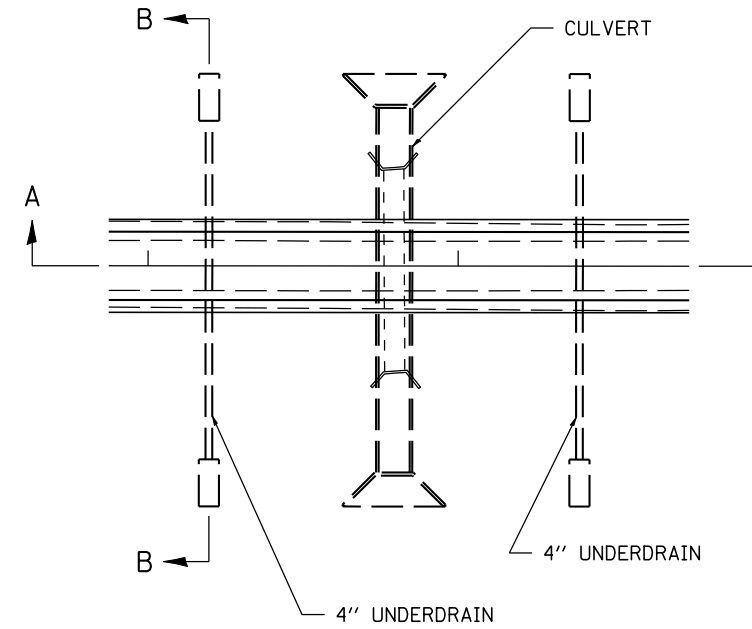
NOTE: THE FRAME AND LID IS REQUIRED ON ALL JUNCTION VAULTS.

ALL DIMENSIONS ARE IN INCHES UNLESS OTHERWISE NOTED.



REVISED - 10-14-11

UNDERDRAIN FOR ACROSS ROAD (AR) CULVERTS



NOTES:

IN SAG CONDITIONS INSTAL PIPE UNDERDRAINS ON BOTH SIDES OF CULVERT.

ON HIGHWAY GRADES GREATER THAN 2% INSTALL PIPE UNDERDRAINS ON THE HIGH SIDE OF THE CULVERT.

THIS WORK SHALL BE COMPLETED ACCORDING TO SECTION 601 OF THE STANDARD SPECIFICATION.

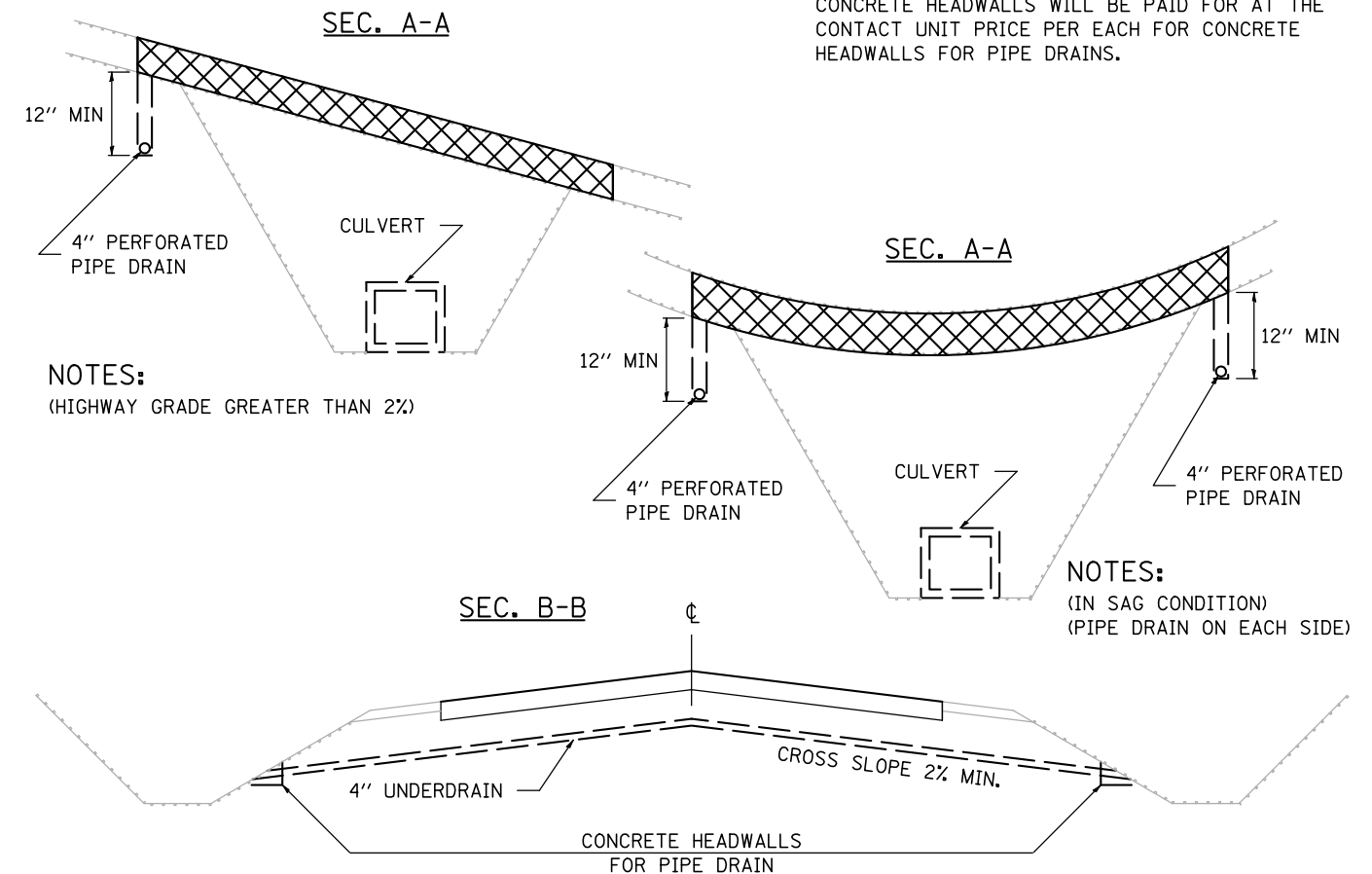
THE UNDERDRAIN SHALL EXTEND UNTIL INTERSECTING WITH THE SIDE SLOPES. THE PIPES SHALL DRAIN INTO CONCRETE HEADWALLS. (SEE ARTICLE 601.05 OF THE STANDARD SPECIFICATIONS AND HIGHWAY STANDARDS 601101).

THE UNDERDRAIN SHALL BE A MINIMUM OF 12" BELOW THE EXISTING PAVEMENT.

THE TRENCH FOR THE UNDERDRAIN SHALL BE BACKFILLED WITH CA7 OR CA16.

PIPE UNDERDRAINS WILL BE PAID FOR AT THE CONTRACT UNITPRICE PER FOOT FOR PIPE UNDERDRAINS 4".

CONCRETE HEADWALLS WILL BE PAID FOR AT THE CONTACT UNIT PRICE PER EACH FOR CONCRETE HEADWALLS FOR PIPE DRAINS.



NOTES:
(HIGHWAY GRADE GREATER THAN 2%)

NOTES:
(IN SAG CONDITION)
(PIPE DRAIN ON EACH SIDE)

REVISED - 6-24-10

UNDERDRAIN FOR ACROSS ROAD (AR) CULVERTS

37.2

| REVISED | SCALE: 4.0000' / IN. | SHEET NO. | OF | SHEETS | STA. | TO | STA. | F.A.P. RTE. | SECTION | COUNTY | TOTAL SHEETS | SHEET NO. |
|--------------------|----------------------|-----------|----|--------|------|----|------|---|---------|-------------|--------------|-----------|
| REVISED - 10-14-11 | | | | | | | | 308 | 110T | ROCK ISLAND | 51 | 37 |
| REVISED - | | | | | | | | CONTRACT NO. 64925 | | | | |
| REVISED - | | | | | | | | FED. ROAD DIST. NO. 2 (ILLINOIS) FED. AID PROJECT | | | | |

PLOT DATE = 8/8/2012