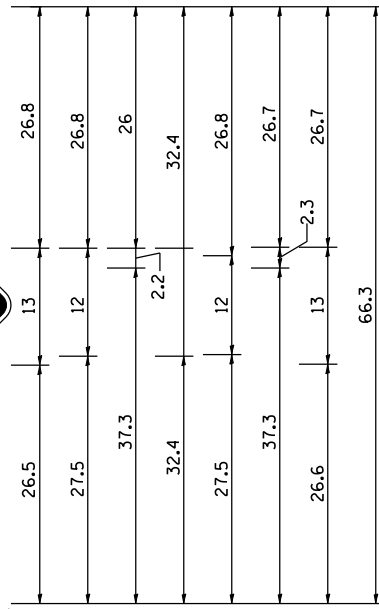
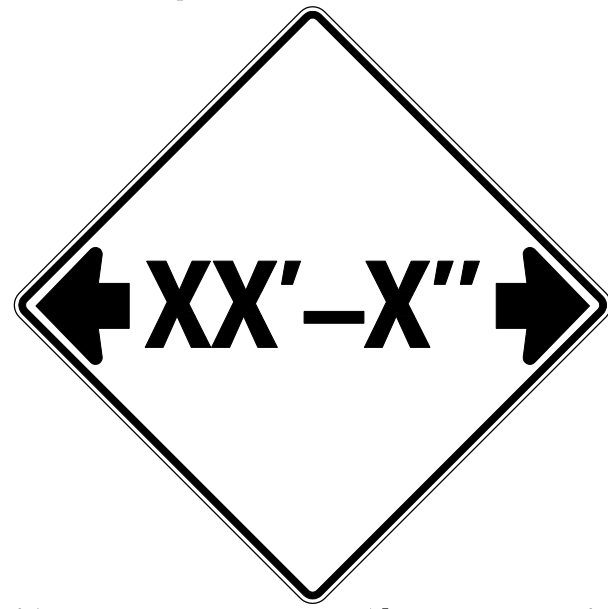
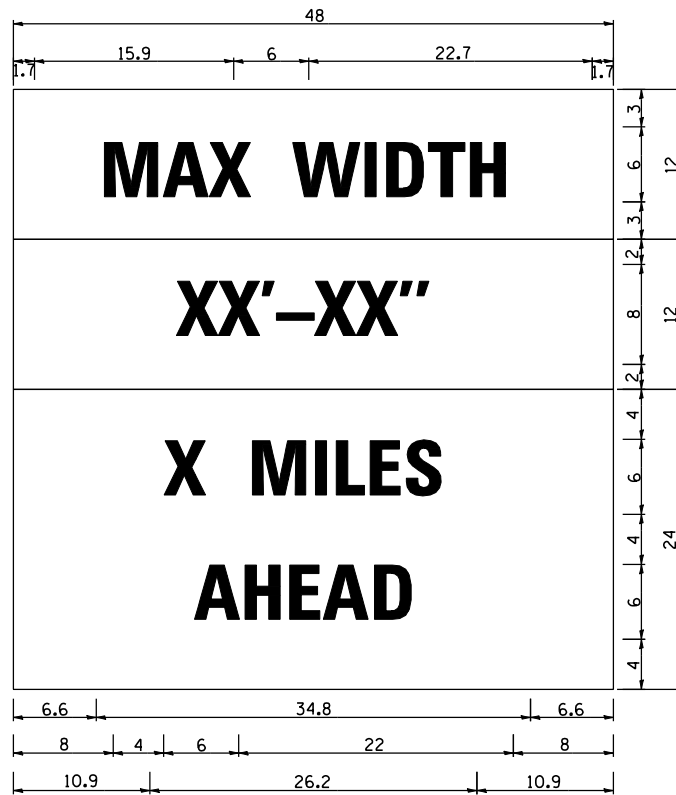
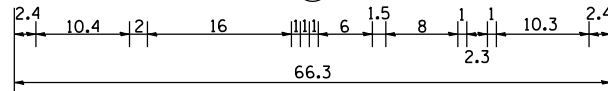


INFORMATIONAL WARNING SIGN (FOR NARROW TRAVEL LANES)



NOTES
 W12-2 - Horizontal Clearance Sign
 48.0" across sides, 1.9" Radius,
 0.8" Border, 0.5" Indent, Black on
 Orange; Standard Arrow Custom
 10.4" X 8.1" 180° Black 11 Inch
 D Series Lettering; Standard Arrow
 Custom 10.4" X 8.1" 0°



W12-1103 (Width is 8D);
 No border, Black on White;
 [MAX WIDTH] D;

No border, Black on Orange;
 [XX'-XX'''] D;

No border, Black on White;
 [X MILES] D; [AHEAD] D;

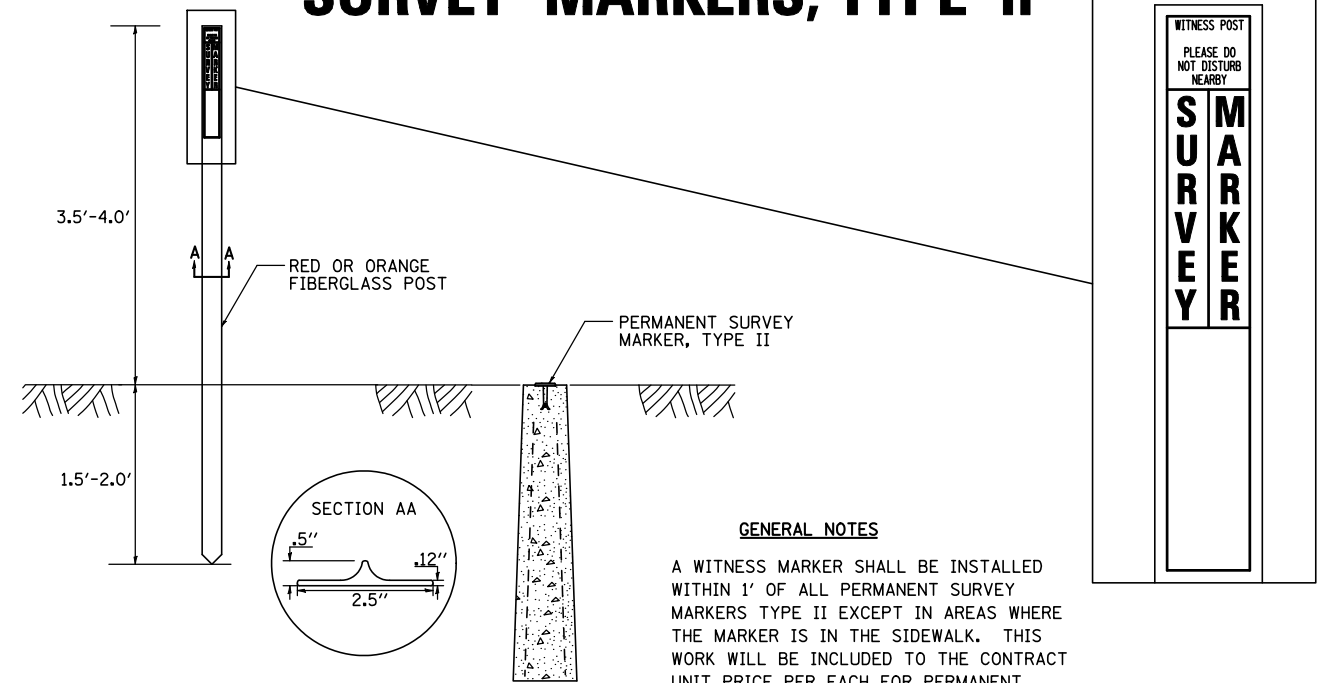
All work to furnish and install these signs shall be included in the cost of the Traffic Control Standards and shall not be paid for separately.

ALL DIMENSIONS ARE IN INCHES UNLESS OTHERWISE NOTED.

REVISED - 5-15-09

INFORMATIONAL WARNING SIGNS (FOR NARROW TRAVEL LANES) 39.2

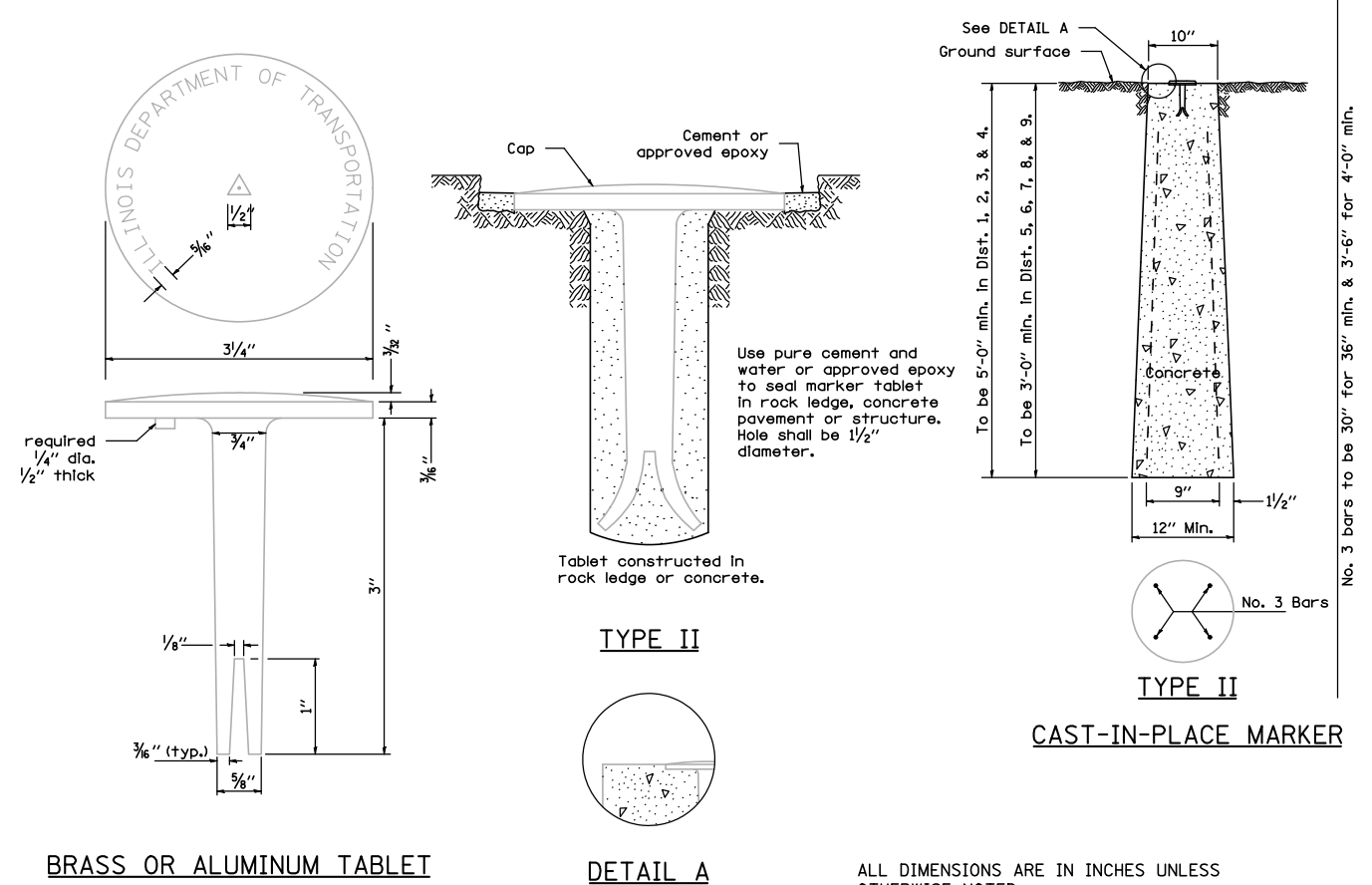
WITNESS MARKER FOR PERMANENT SURVEY MARKERS, TYPE II



GENERAL NOTES

A WITNESS MARKER SHALL BE INSTALLED WITHIN 1' OF ALL PERMANENT SURVEY MARKERS TYPE II EXCEPT IN AREAS WHERE THE MARKER IS IN THE SIDEWALK. THIS WORK WILL BE INCLUDED TO THE CONTRACT UNIT PRICE PER EACH FOR PERMANENT SURVEY MARKERS, TYPE II.

PERMANENT SURVEY MARKERS, TYPE II



BRASS OR ALUMINUM TABLET

TYPE II

DETAIL A

TYPE II

CAST-IN-PLACE MARKER

REVISED - 10-14-11

WITNESS MARKER & PERMANENT SURVEY MARKERS, TYPE II 66.2

REVISED -	REGION 2 / DISTRICT 2 STANDARD			F.A.P. RTE.	SECTION	COUNTY	TOTAL SHEETS	SHEET NO.		
REVISED -	SCALE: 4.0000' / IN.	SHEET NO.	OF SHEETS	STA.	TO STA.	308	110T	ROCK ISLAND	51	38
REVISED -						CONTRACT NO. 64925		FED. ROAD DIST. NO. 2 ILLINOIS FED. AID PROJECT		

PLOT DATE = 8/8/2012