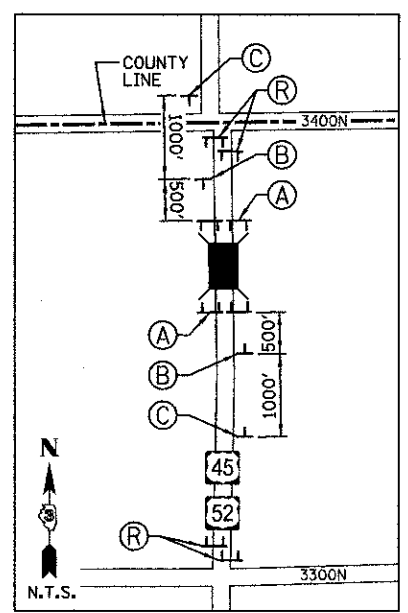
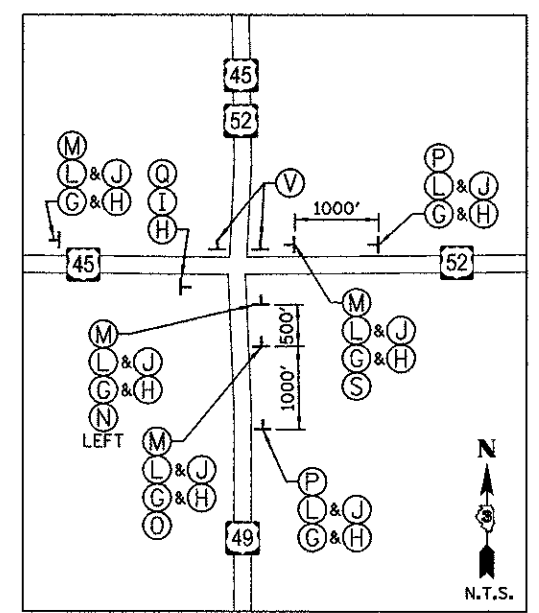


**DETOUR MAP**

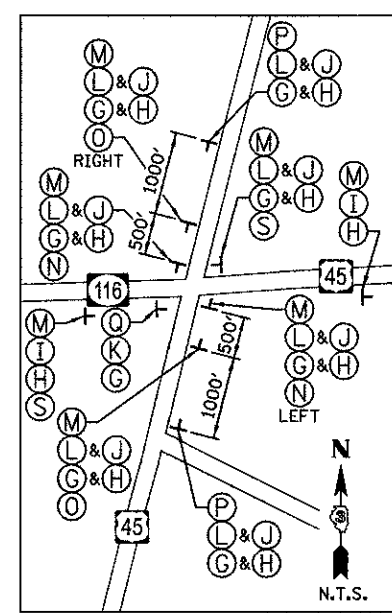
\*TO BE PLACED WITH INTERSTATE IDENTIFICATION SIGNS, EXIT SIGNS AND US & ILLINOIS STATE ROUTE MARKERS.



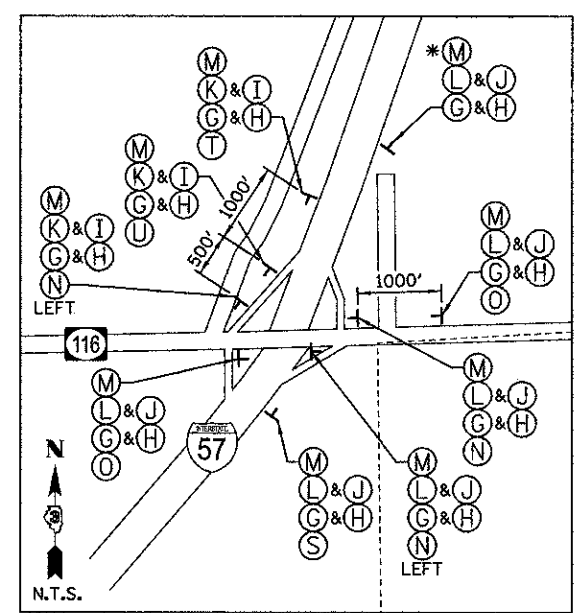
**PROJECT LOCATION VICINITY (DETAIL "A")**



**U.S. RTE. 45/52 INTERSECTION (DETAIL "B")**



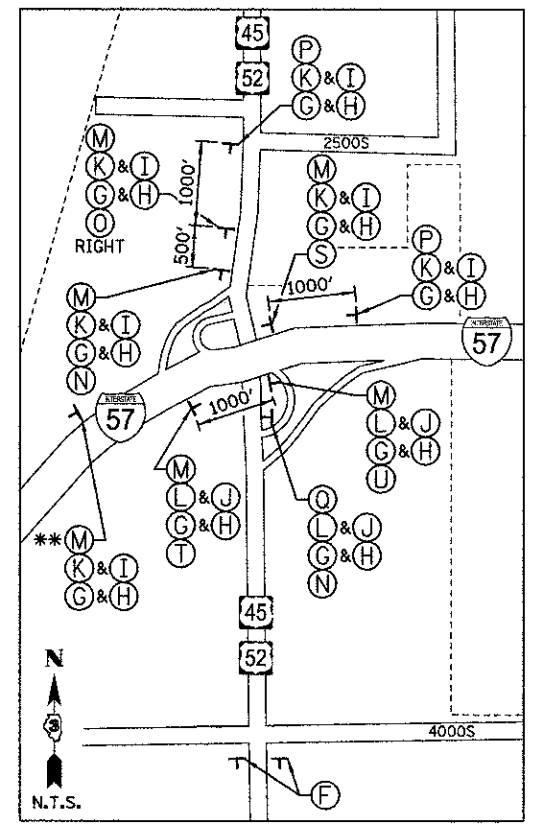
**U.S. RTE. 45 INTERSECTION (DETAIL "C")**



**VILLAGE OF ASHKUM I-57 INTERCHANGE (DETAIL "D")**

\* PLACE SIGN ADJACENT TO THE "NORTH I-57" ROUTE MARKER (CLIFTON & CHEBANSE INTERCHANGES)

R11-2-4830 <b>A</b>	W20-3-4848 <b>B</b>	W20-3-4848 <b>C</b>	R11-3b-6030 <b>D</b>	R11-3b-6030 <b>E</b>	R11-3b-6030 <b>F</b>	M1-4.2-2424 <b>G</b>	M1-4.2-2424 <b>H</b>
M3-2-2412 <b>I</b>	M3-4-2412 <b>J</b>	M3-3-2412 <b>K</b>	M3-1-2412 <b>L</b>	M4-8-2412 <b>M</b>	M6-1-2115 <b>N</b>	M5-1-2115 <b>O</b>	W20-2-4848 <b>P</b>
R11-4-6030 <b>R</b>	M6-3-2115 <b>S</b>	M5-2-2115 <b>T</b>	M6-2-2115 <b>U</b>	R11-3b-6030 <b>V</b>	M2-1-2115 <b>W</b>		



**CITY OF KANKAKEE INTERCHANGE (DETAIL "E")**

\*\* PLACE SIGN ADJACENT TO THE "SOUTH I-57" ROUTE MARKER (CLIFTON & CHEBANSE INTERCHANGES)

**NOTES:**

- 1.) ALL TRAFFIC CONTROL DEVICES SHALL BE FURNISHED, ERECTED AND MAINTAINED BY THE CONTRACTOR.
- 2.) ALL SIGNS NOT ATTACHED TO BARRICADES SHALL BE POST MOUNTED, UNLESS OTHERWISE NOTED.
- 3.) LOCATIONS OF TRAFFIC CONTROL DEVICES MAY BE ADJUSTED BY THE ENGINEER.
- 4.) WORK SHALL BE DONE IN ACCORDANCE WITH BLR 21.
- 5.) TRAFFIC CONTROL SHALL BE IN ACCORDANCE WITH THE STANDARD SPECIFICATIONS FOR ROAD AND BRIDGE CONSTRUCTION, THE MANUAL FOR UNIFORM TRAFFIC CONTROL DEVICES, THE HIGHWAY STANDARDS AND SPECIAL PROVISIONS.
- 6.) COVER ANY SIGNS DENOTING NORTH US ROUTE 45/52 WITHIN A MILE RADIUS OF THE INTERSECTION BETWEEN IL ROUTE 49 AND US ROUTE 45/52. COVER ANY SIGNS DENOTING SOUTH US ROUTE 45/52 WITHIN A MILE RADIUS OF THE INTERCHANGE BETWEEN INTERSTATE 57 AND US ROUTE 45/52.

**LEGEND**

- TT TYPE III BARRICADES CONFORMING TO STD. 701901 "ROAD CLOSED TO ALL TRAFFIC" WITH 2 FLASHING LIGHTS PER BARRICADE
- TT TYPE III BARRICADES CONFORMING TO STD. 701901 "ROAD CLOSED TO THRU TRAFFIC" WITH 2 FLASHING LIGHTS PER BARRICADE
- J SIGNS ON PERMANENT SUPPORTS
- FO FLASHING LIGHT ABOVE SIGN
- 18"x18" ORANGE FLAG
- DETOUR ROUTE
- FO FLORESCENT ORANGE

FILE NAME =	USER NAME = #USER#	DESIGNED - JML	REVISED -	<b>STATE OF ILLINOIS DEPARTMENT OF TRANSPORTATION</b>	<b>DETOUR PLAN</b>			F.A.P. RTE. 840	SECTION 138 BR-3	COUNTY IROQUOIS	TOTAL SHEETS 28	SHEET NO. 11
#FILE#	PLOT SCALE = #SCALE#	DRAWN - JJD/DJM	REVISED -		SCALE:	SHEET NO. OF SHEETS STA.	TO STA.	CONTRACT NO. 66971				
	PLOT DATE = #DATE#	CHECKED - MSW	REVISED -		FED. ROAD DIST. NO. ILLINOIS FED. AID PROJECT							