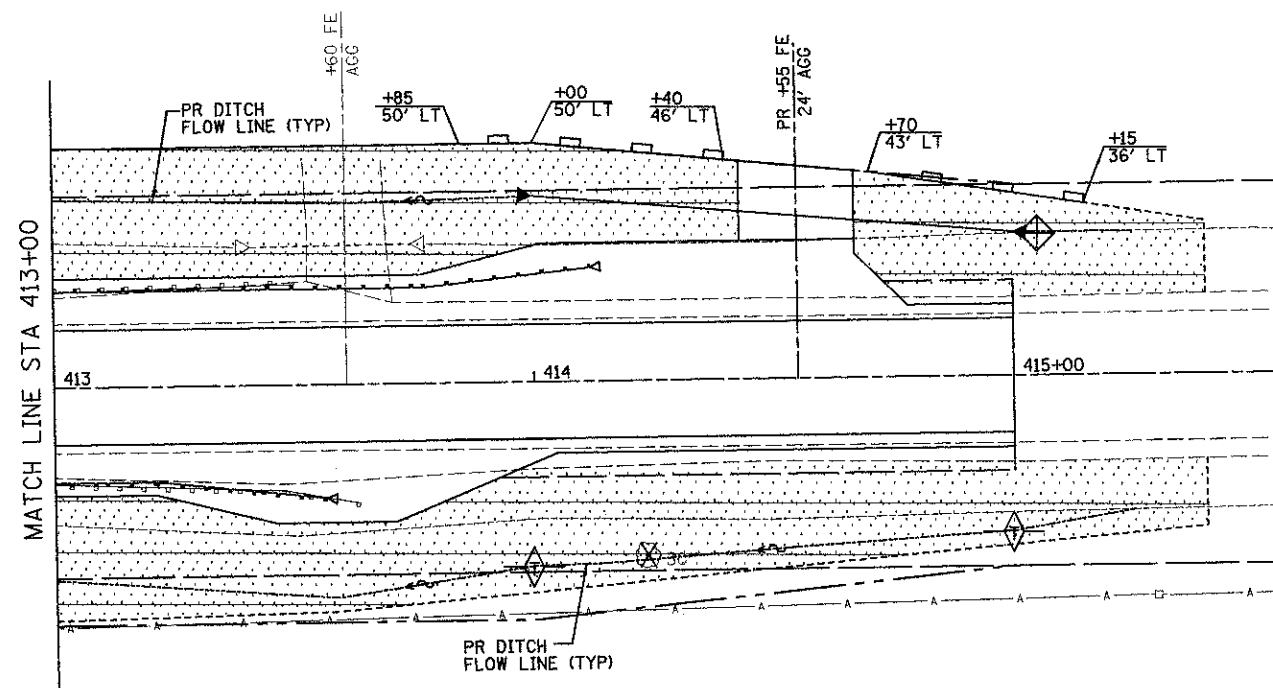


NOTES:

1. ALL SEDIMENT AND EROSION CONTROL SYSTEMS SHALL BE CONSTRUCTED WITHIN THE RIGHT-OF-WAY OR PROPOSED RIGHT-OF-WAY.
2. ALL SEDIMENT AND EROSION CONTROL SYSTEMS SHALL BE INSPECTED WEEKLY AND WITHIN 24 HOURS AFTER EACH 1/2 " OR GREATER RAIN EVENT.

LEGEND

- TEMPORARY DITCH CHECK @ 100' SPACING UNLESS OTHERWISE NOTED
- INLET AND PIPE PROTECTION
- PERIMETER EROSION BARRIER
- TEMPORARY EROSION CONTROL SEEDING, EROSION CONTROL BLANKET & SEEDING, CLASS 3
- STONE RIPRAP, CLASS A4 & FILTER FABRIC
- LIMITS OF CONSTRUCTION
- TREE REMOVAL



FILE NAME =	USER NAME = #USERS	DESIGNED - JML	REVISED -	STATE OF ILLINOIS DEPARTMENT OF TRANSPORTATION	EROSION CONTROL	F.A.P. RTE.	SECTION	COUNTY	TOTAL SHEETS	SHEET NO.	
#FILEL*	PLOT SCALE = #SCALE*	DRAWN - JJD/DJM	REVISED -			840	138 BR-3	IROQUOIS	28	12	
	PLOT DATE = #DATE*	CHECKED - MSW	REVISED -			CONTRACT NO. 66971					
		DATE - 07-27-11	REVISED -			FED. ROAD DIST. NO. ILLINOIS FED. AID PROJECT					
				SCALE: SHEET NO. OF SHEETS STA. TO STA.							