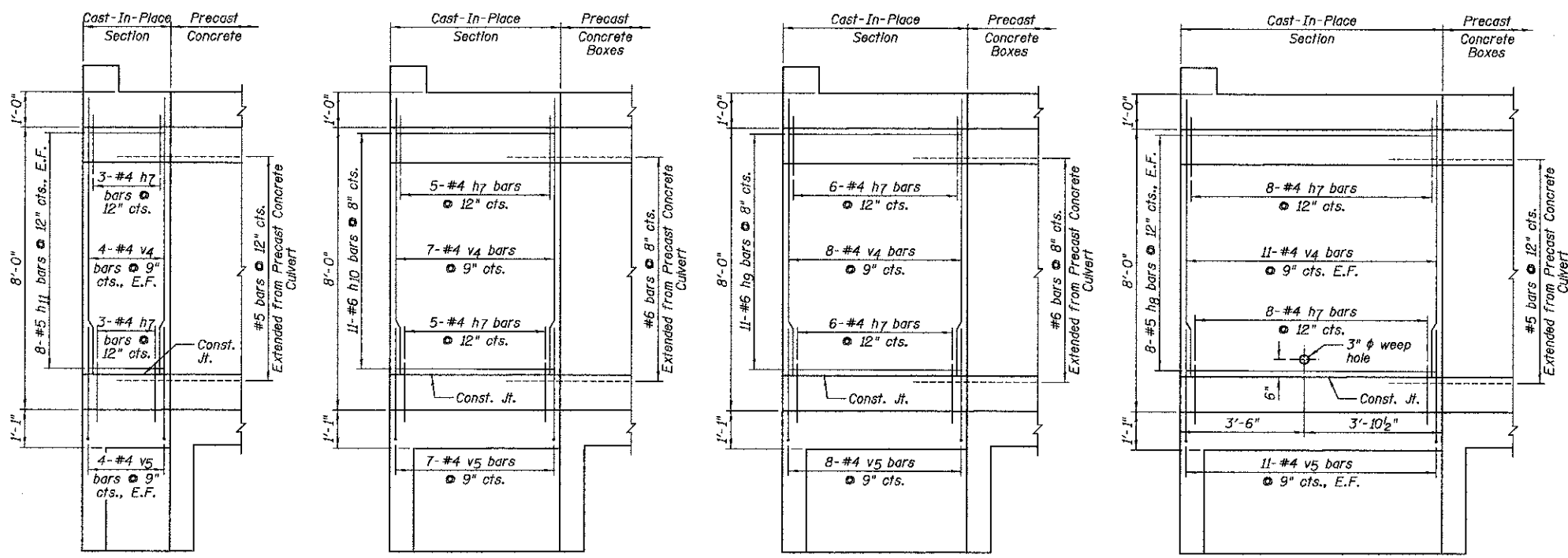
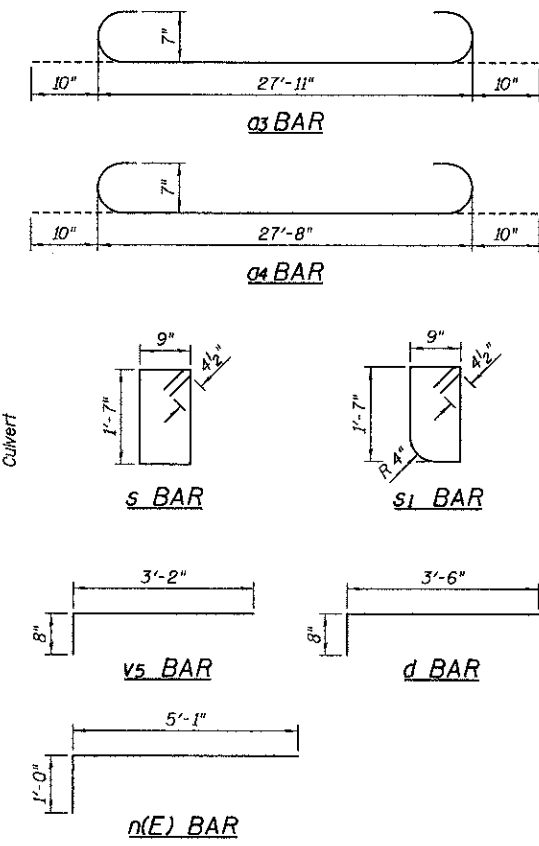
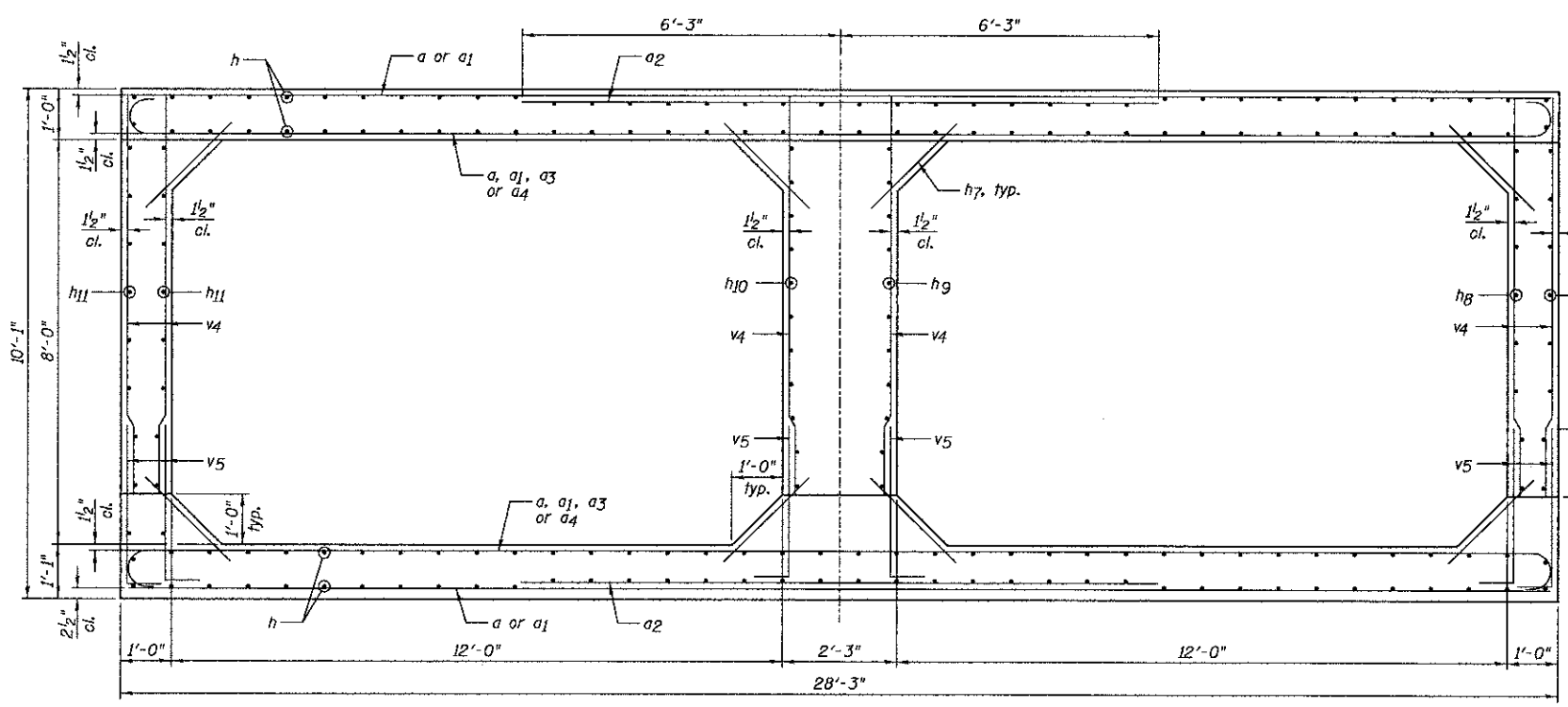


BILL OF MATERIAL

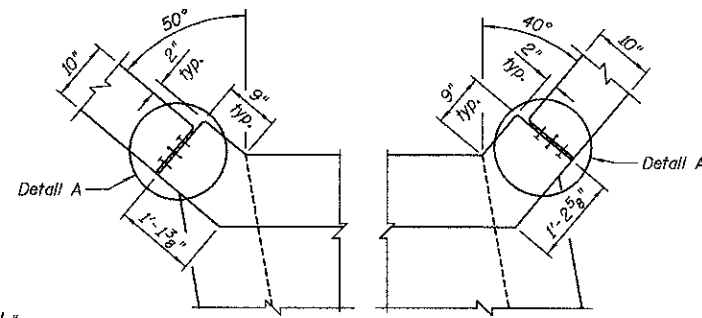
Bar	No.	Size	Length	Shape
a	16	#7	27'-11"	---
a1	16	#7	27'-8"	---
a2	12	#7	12'-6"	---
a3	8	#7	29'-7"	(---)
a4	6	#7	29'-4"	(---)
d	78	#4	4'-2"	---
h	152	#6	9'-4"	---
h1	8	#6	27'-6"	---
h2	8	#4	28'-4"	---
h3	8	#4	2'-2"	---
h4	8	#4	7'-2"	---
h5	38	#4	13'-4"	---
h6	38	#4	11'-2"	---
h7	88	#4	3'-6"	---
h8	32	#5	7'-0"	---
h9	22	#6	4'-10"	---
h10	22	#6	4'-5"	---
h11	32	#5	2'-2"	---
n(E)	78	#6	6'-0"	---
s	29	#4	5'-5"	---
s1	29	#4	5'-3"	---
t	156	#4	7'-2"	---
v	21	#5	19'-10"	---
v1	5	#4	19'-10"	---
v2	18	#5	19'-10"	---
v3	4	#4	19'-10"	---
v4	90	#4	7'-10"	---
v5	90	#4	3'-10"	---
w	32	#4	13'-4"	---
w1	32	#4	11'-1"	---
Item	Unit	Quantity		
Reinforcement Bars	Pound	10,390		
Reinforcement Bars, Epoxy Coated	Pound	700		
Name Plates	Each	1		
Concrete Box Culverts	Cu Yd	81.2		



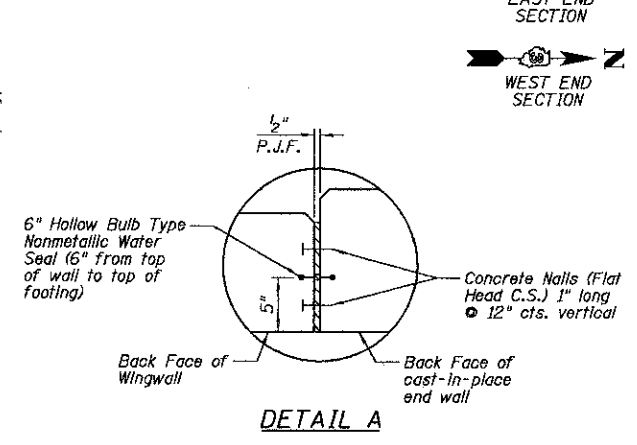
EXTERIOR WALL ELEVATION (SHORT) **INTERIOR WALL ELEVATION (SHORT)** **INTERIOR WALL ELEVATION (LONG)** **EXTERIOR WALL ELEVATION (LONG)**



SECTION THRU CAST-IN-PLACE CONCRETE BARRELS



CORNER DETAILS



DETAIL A

BAR CUTTING DIAGRAM

BAR	A	B	C	D	E	F	L
a1	25'-2"	2'-6"	25'-2"	2'-6"	4	4	27'-8"
a4	21'-5"	6'-3"	21'-5"	6'-3"	3	2	27'-8"
h	7'-2"	2'-2"	7'-2"	2'-2"	4	38	9'-4"
v	7'-9"	12'-1"	7'-9"	12'-1"	1	21	19'-10"
v1	7'-9"	12'-1"	7'-9"	12'-1"	1	5	19'-10"
v2	7'-9"	12'-1"	7'-9"	12'-1"	1	18	19'-10"
v3	7'-9"	12'-1"	7'-9"	12'-1"	1	4	19'-10"

Note: "L" dimension does not take into account the hook length for the hooked bar a4.

Farnsworth GROUP, INC.
2708 McGraw Drive
Bloomington, Illinois 61704
309/663-8435, 309/663-1571 fax

DESIGNED - DKS	REVISED
CHECKED - SDH	REVISED
DRAWN - DJM/JWK	REVISED
CHECKED - MSW	REVISED
DATE - 07-27-11	

STATE OF ILLINOIS DEPARTMENT OF TRANSPORTATION

CAST-IN-PLACE CONCRETE CULVERT ELEVATIONS, SECTION AND DETAILS
STRUCTURE NO. 038-2024
SHEET NO. B3 OF 10 SHEETS

F.A.P. RTE.	SECTION	COUNTY	TOTAL SHEETS	SHEET NO.
840	138 BR-3	IROQUOIS	28	15
CONTRACT NO. 666971			ILLINOIS FED. AID PROJECT	