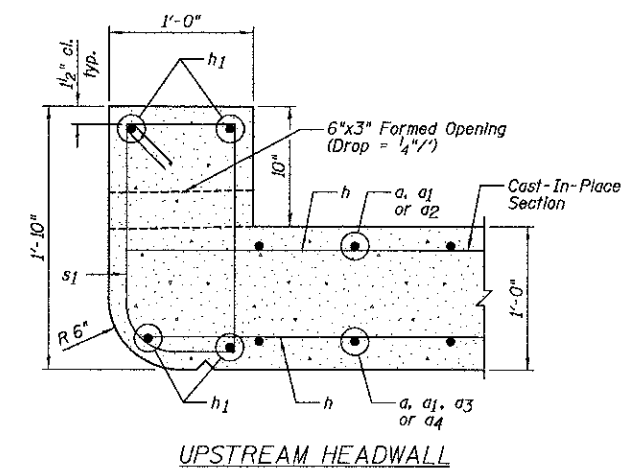
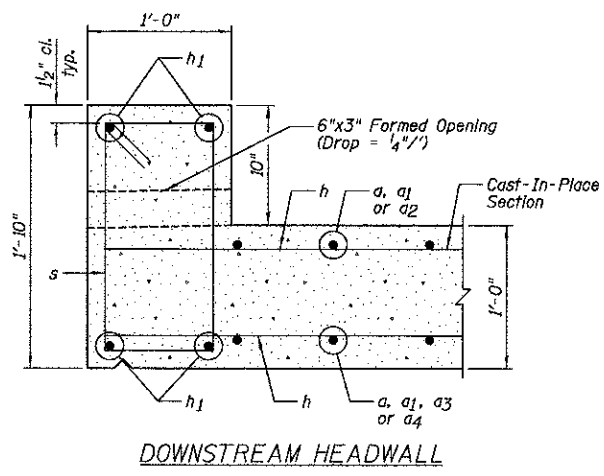
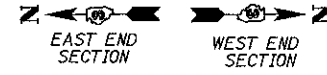
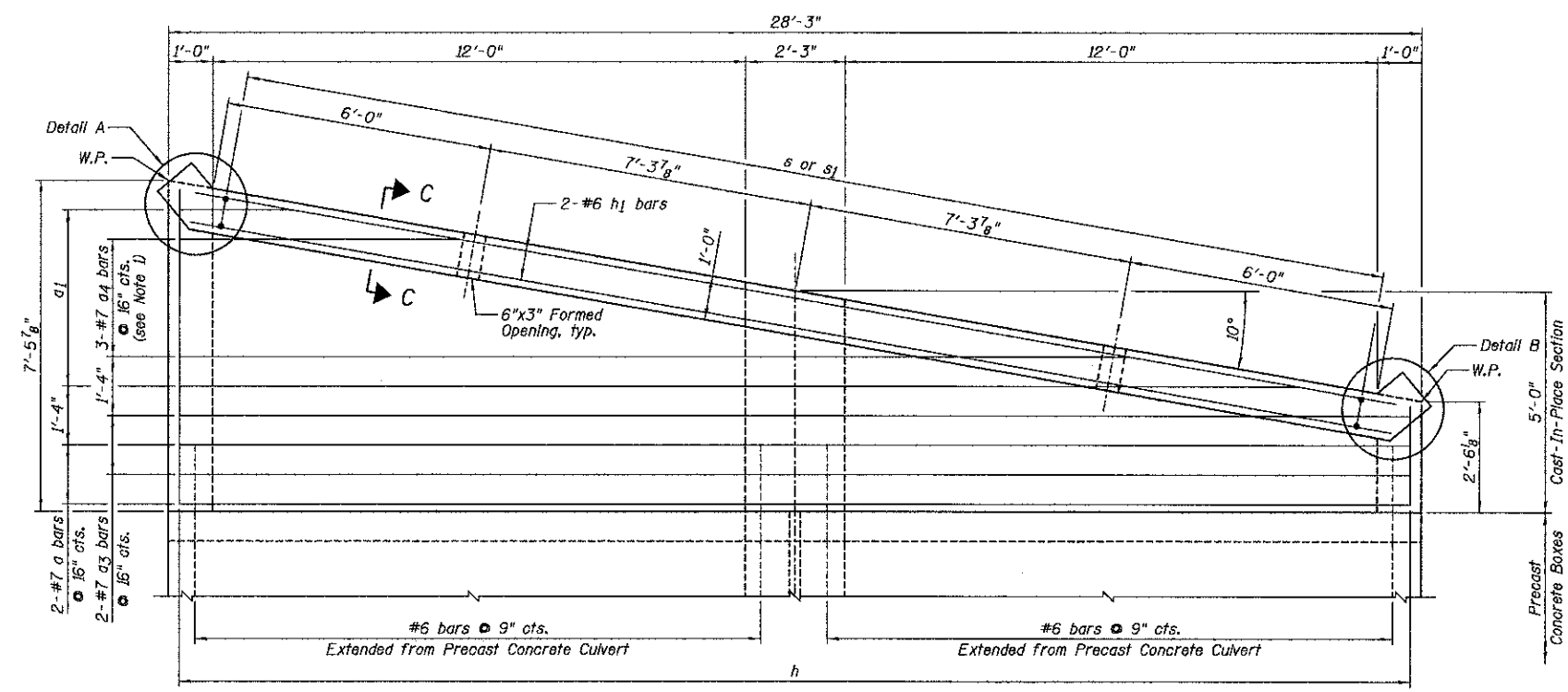


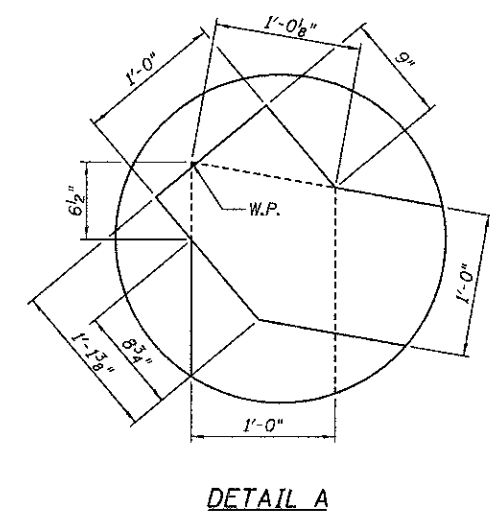
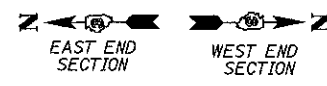
TOP MAT OF REINFORCEMENT PLAN



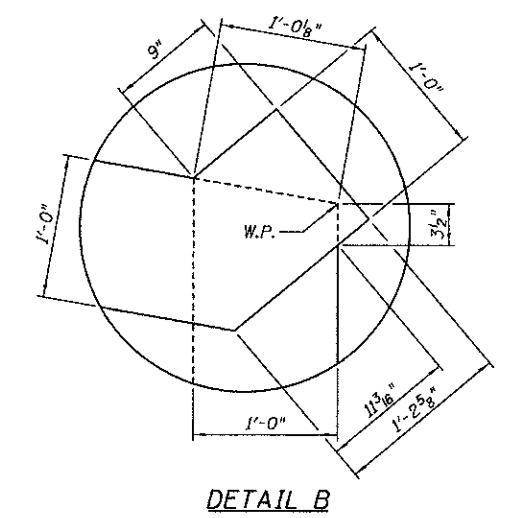
SECTION C-C



BOTTOM MAT OF REINFORCEMENT PLAN



DETAIL A



DETAIL B

NOTES:

- 1.) Order a4 bars full length, cut according to Bar Cutting Diagram on Sheet B3. Use remainder of bars in bottom slab, top mat.
- 2.) Order a1 and h bars full length, cut according to Bar Cutting Diagram on Sheet B3. Use remainder of bars in bottom mat.
- 3.) For Bill of Material, see Sheet B3.
- 4.) W.P. denotes Working Point.

**Farnsworth**  
GROUP, INC.  
2706 McGraw Drive  
Bloomington, Illinois 61704  
309/883-3435, 309/883-1574 fax

DESIGNED - DKS	REVISOR
CHECKED - SDH	REVISOR
DRAWN - DJM/JWK	REVISOR
CHECKED - MSW	REVISOR
DATE - 07-27-11	

STATE OF ILLINOIS  
DEPARTMENT OF TRANSPORTATION

CAST-IN-PLACE TOP SLAB PLAN AND SECTION  
STRUCTURE NO. 038-2024

F.A.P. RTE.	SECTION	COUNTY	TOTAL SHEETS	SHEET NO.
840	136 BR-3	IROQUOIS	28	16
CONTRACT NO. 66971				
ILLINOIS FED. AID PROJECT				

SHEET NO. B4 OF 10 SHEETS