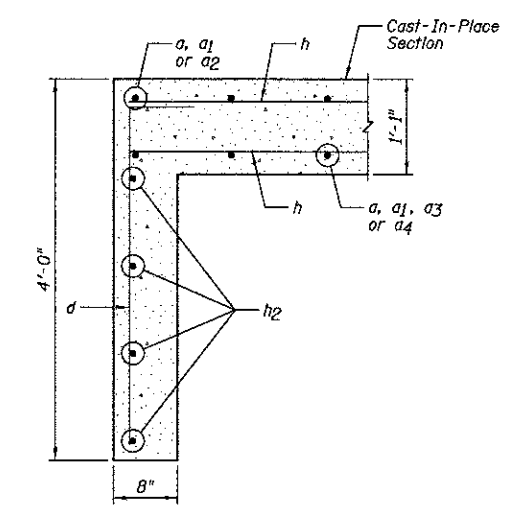
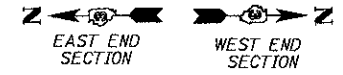
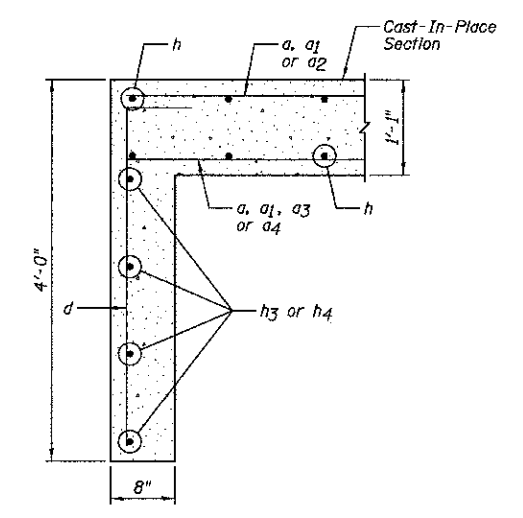


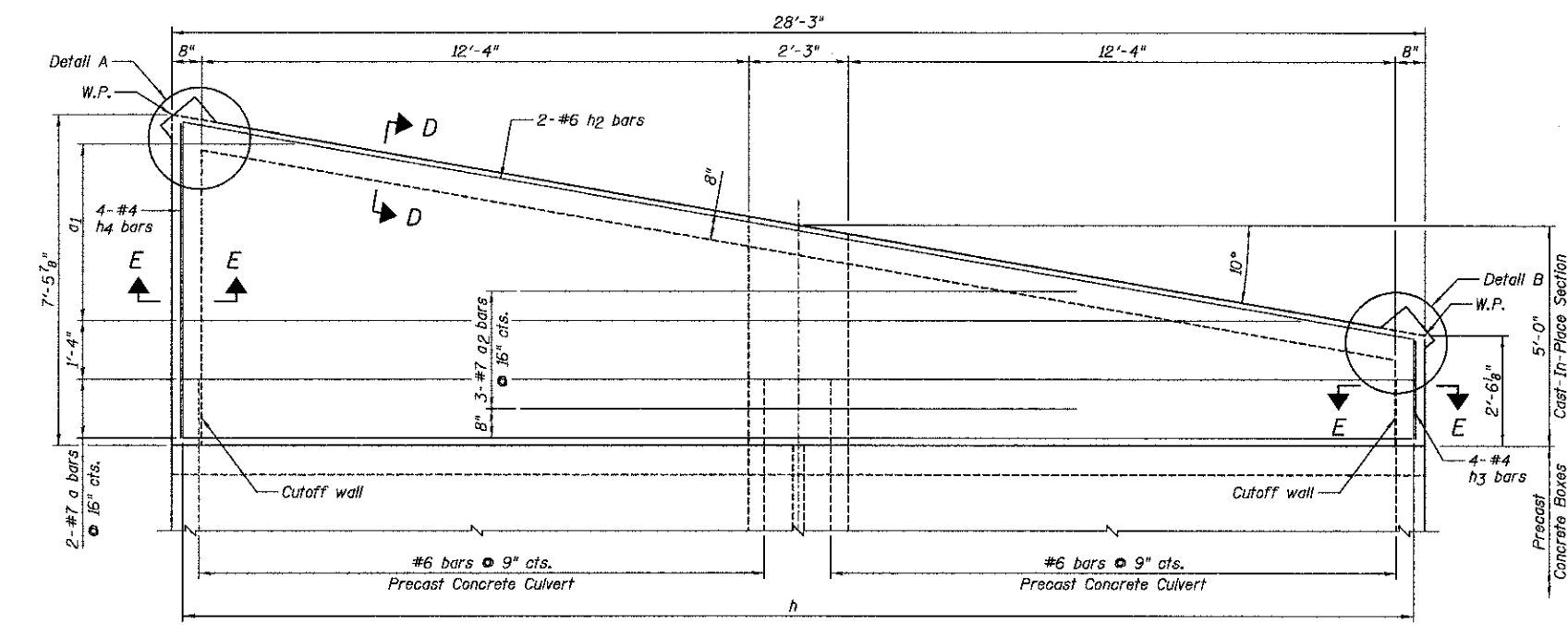
TOP MAT OF REINFORCEMENT PLAN



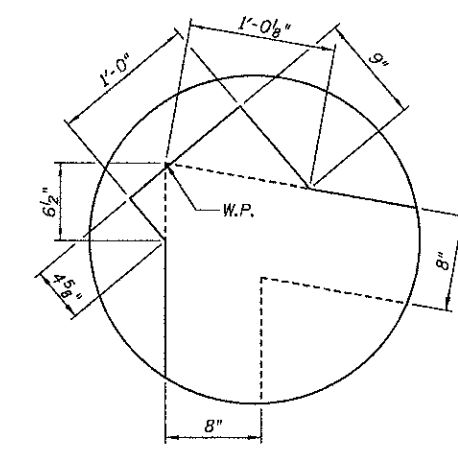
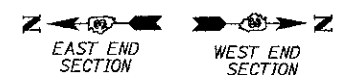
SECTION D-D



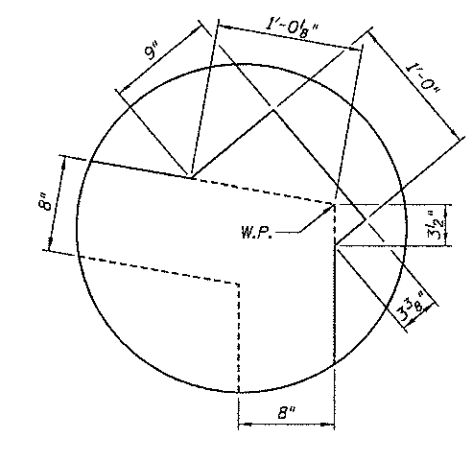
SECTION E-E



BOTTOM MAT OF REINFORCEMENT PLAN



DETAIL A



DETAIL B

NOTES:

- 1.) Order a1 and h bars full length, cut according to Bar Cutting Diagram on Sheet B3. Use remainder of bars in bottom mat.
- 2.) For Bill of Material, see Sheet B3.
- 3.) W.P. denotes Working Point.

Farnsworth
GROUP, INC.
2709 McOraw Drive
Bloomington, Illinois 61704
309/853-8435, 309/863-1371 fax

DESIGNED - DKS	REVISOR
CHECKED - SDH	REVISOR
DRAWN - DJM/JWK	REVISOR
CHECKED - MSW	REVISOR
DATE - 07-27-11	

STATE OF ILLINOIS
DEPARTMENT OF TRANSPORTATION

CAST-IN-PLACE BOTTOM SLAB PLAN AND SECTION
STRUCTURE NO. 038-2024
SHEET NO. B5 OF 10 SHEETS

F.A.P. RTE.	SECTION	COUNTY	TOTAL SHEETS	SHEET NO.
840	138 BR-3	IRROQUOIS	28	17
				CONTRACT NO. 66971
ILLINOIS FED. AID PROJECT				