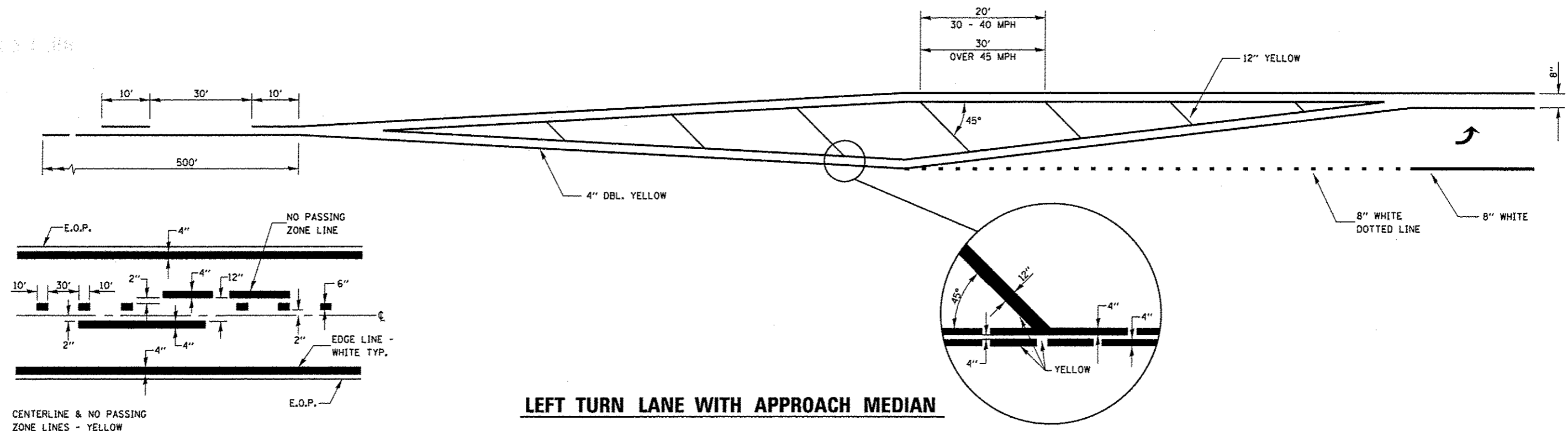
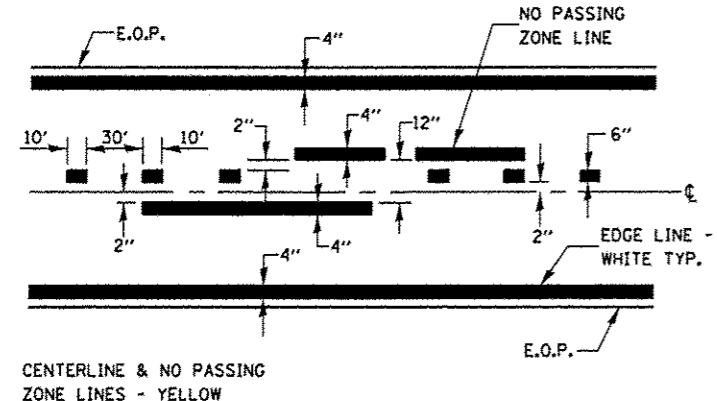


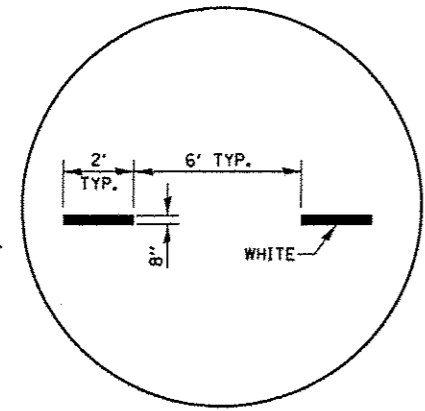
SECTION 317.05



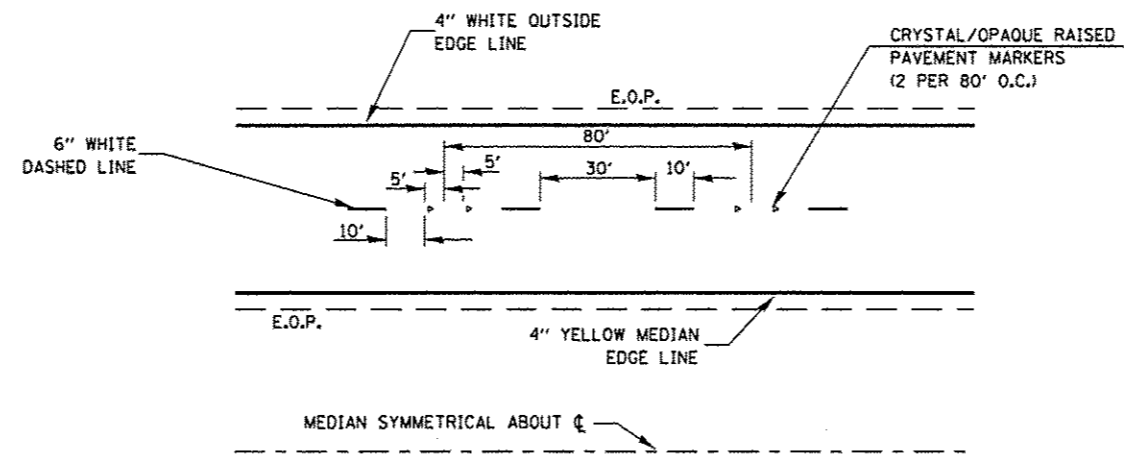
**LEFT TURN LANE WITH APPROACH MEDIAN**



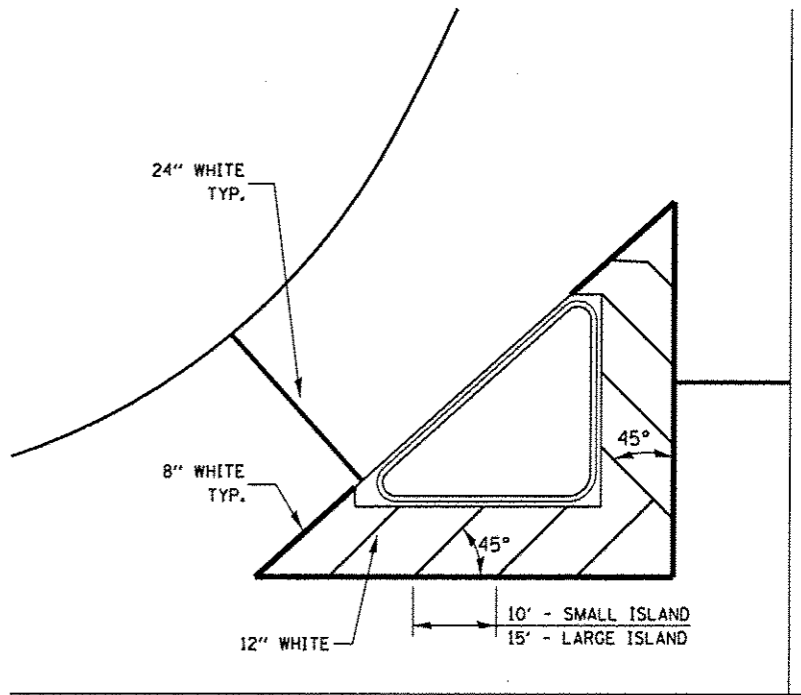
**PAVEMENT MARKING  
2-LANE ROAD**



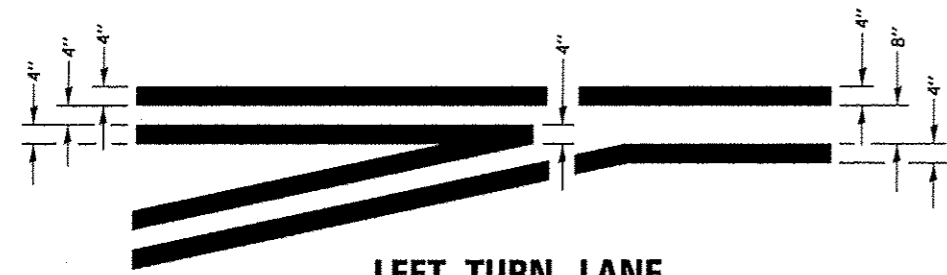
**ADVANCE AND INTERSECTION LANE  
DIVIDER LINES**



**TYPICAL PAVEMENT MARKINGS  
4-LANE ROAD**



**TYPICAL ISLAND**



**LEFT TURN LANE  
TYPICAL APPLICATION**

FILE NAME =	USER NAME = woodshankr1	DESIGNED - RW	REVISED -	<b>STATE OF ILLINOIS DEPARTMENT OF TRANSPORTATION</b>	<b>TYPICAL PAVEMENT MARKING</b>	F.A.P. RTE.	SECTION	COUNTY	TOTAL SHEETS	SHEET NO.
c:\p\work\pvidot\woodshankr1\08308569\366C37-detail.dgn	DRAWN - RW	REVISED -	317			D3 PAVEMENT PATCHING 2013-6	IROQUOIS	8	8	
PLOT SCALE = 1/8" = 1' / in.	CHECKED -	REVISED -	CONTRACT NO. 66C37							
PLOT DATE = 7/9/2012	DATE -	REVISED -	ILLINOIS FED. AID PROJECT							
					SCALE:	SHEET 1 OF 1 SHEETS		STA.	TO STA.	