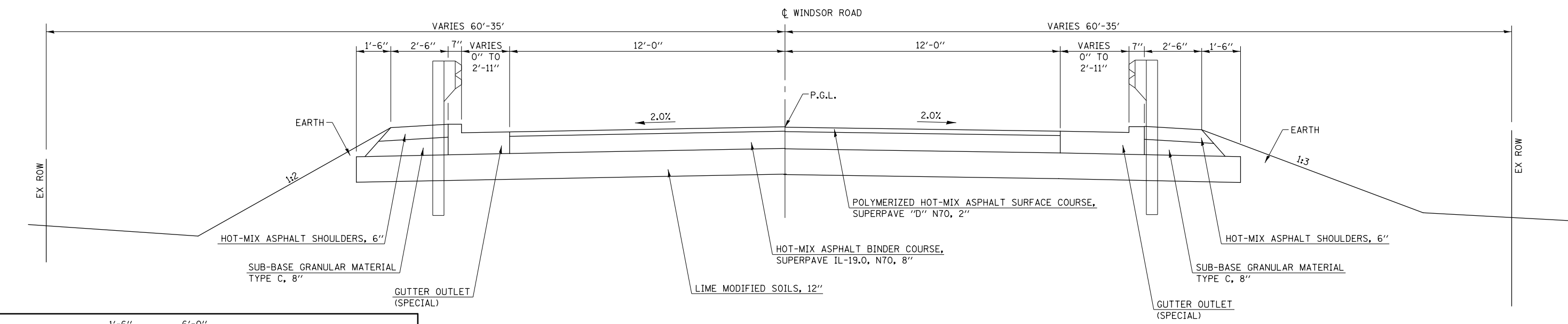


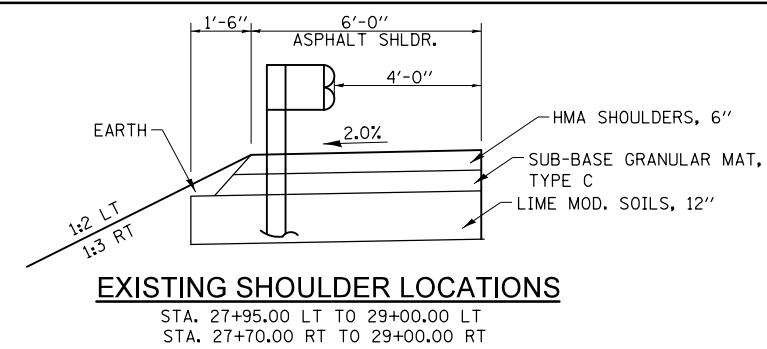
EXISTING TYPICAL SECTION

STA. 21+00.00 TO 24+07.57



EXISTING TYPICAL SECTION

STA. 26+27.91 TO 29+00.00
APPROACH PAVEMENT STA. 26+27.91 TO 26+57.91



EXISTING SHOULDER LOCATIONS

STA. 27+95.00 LT TO 29+00.00 LT
STA. 27+70.00 RT TO 29+00.00 RT

FILE NAME =	USER NAME = keyrb	DESIGNED -	REVISED -	STATE OF ILLINOIS DEPARTMENT OF TRANSPORTATION	EXISTING TYPICAL SECTIONS WINDSOR ROAD	F.A.I. RTE.	SECTION	COUNTY	TOTAL SHEETS	SHEET NO.	
et:\pw\work\p\dot\keysrb\0152155\0570101\sh-typical.dgn	PLOT SCALE = 48.00' / in.	DRAWN -	REVISED -			57	(10-32HB-2)BY	CHAMPAIGN	81	11	
	PLOT DATE = 8/16/2012	CHECKED -	REVISED -			CONTRACT NO. 70109					
		DATE -	REVISED -			FED. ROAD DIST. NO. ILLINOIS FED. AID PROJECT					
SCALE:						SHEET NO. 1 OF 3 SHEETS					