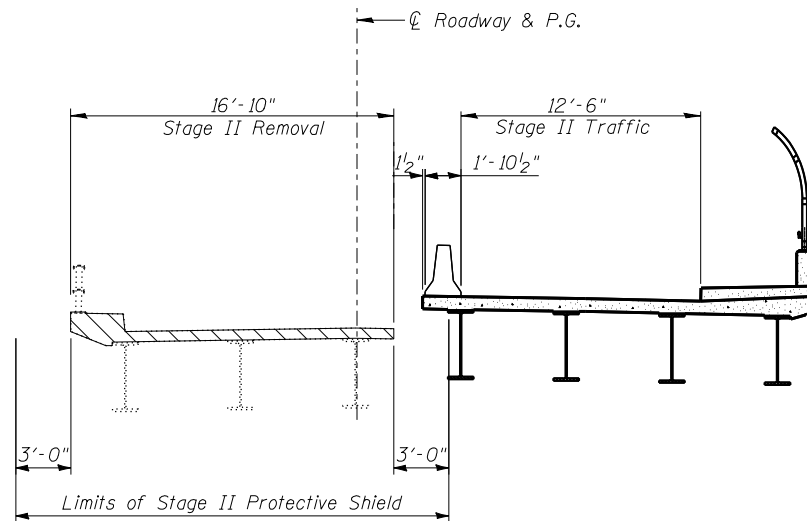
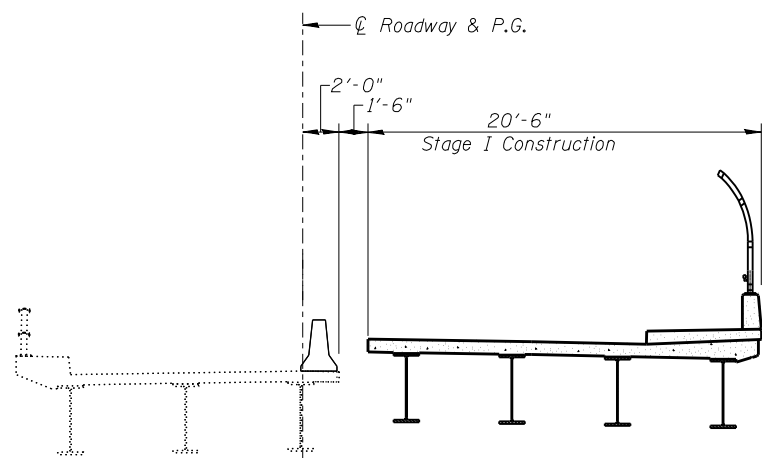


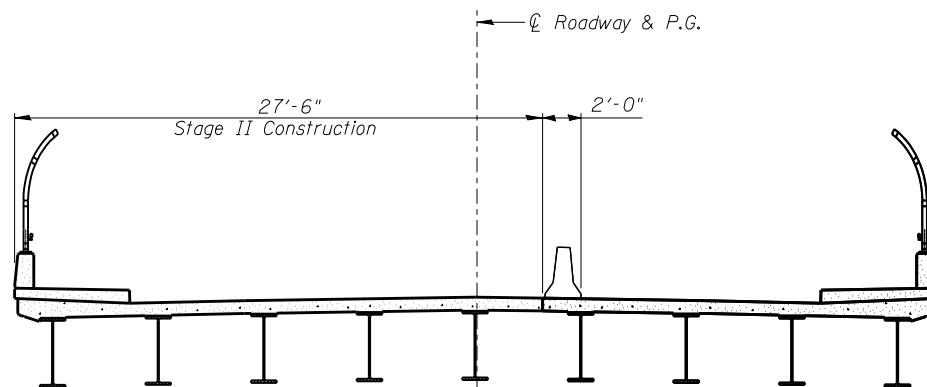
STAGE I REMOVAL
(Looking East)



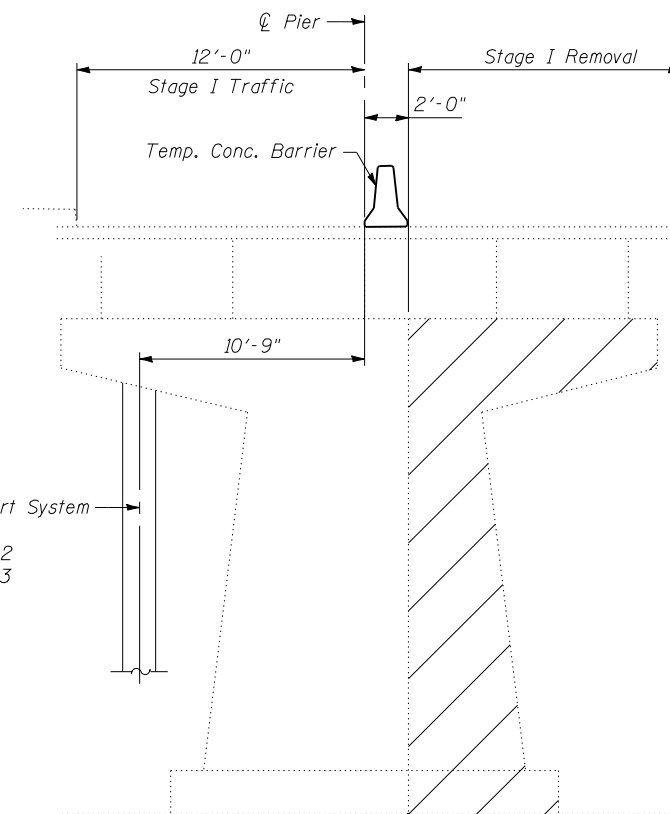
STAGE II REMOVAL
(Looking East)



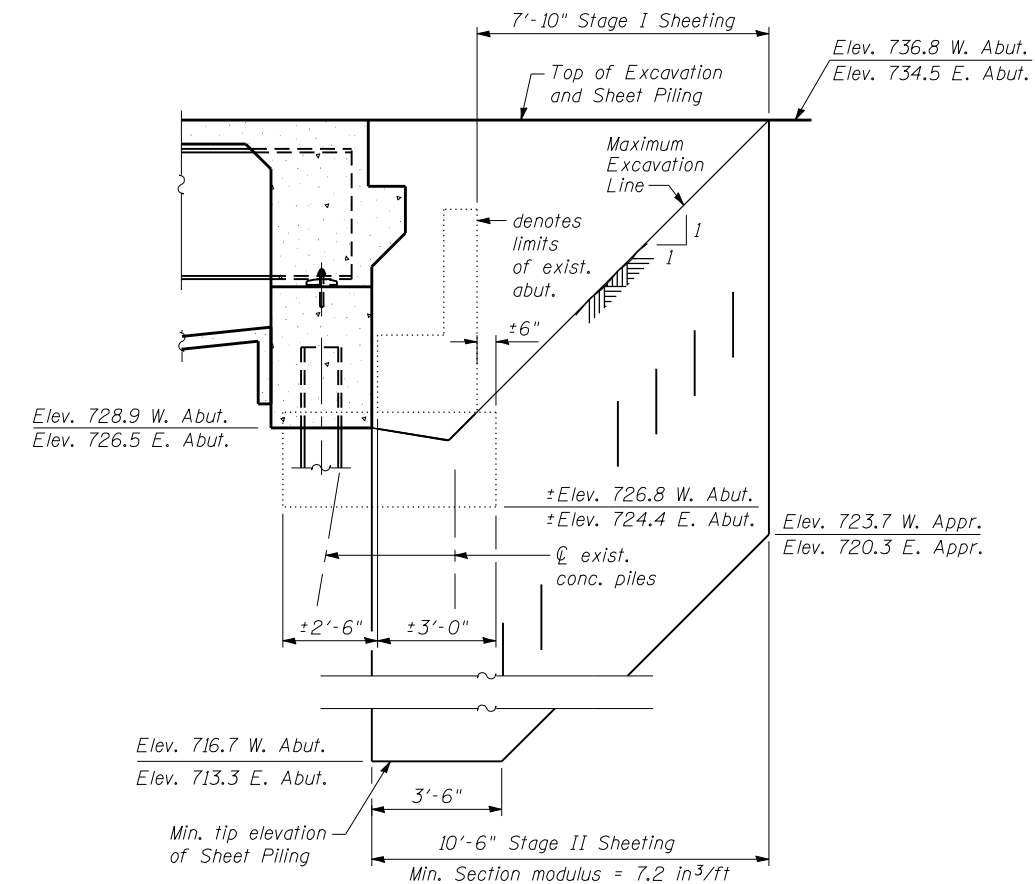
STAGE I CONSTRUCTION
(Looking East)



STAGE II CONSTRUCTION
(Looking East)



TEMPORARY SUPPORT SYSTEM AT PIERS
(Looking East)



TEMPORARY SHEET PILING

STAGE CONSTRUCTION SEQUENCE

1. Direct Stage I traffic as shown.
2. Drive Stage I Temporary Sheet Piling and install temporary support system at piers and proceed with Stage I Removal.
3. Proceed with Stage I Construction.
4. Direct Stage II Traffic as shown.
5. Relocate Stage I Sheet Piling as necessary for Stage II Sheet Piling.
6. Proceed with Stage II Removal and Construction.

Notes:
For quantity of Temporary Concrete Barrier, see roadway plans.
Hatched area indicates Removal of Existing Structures.
If the Contractor chooses to alter the temporary sheet piling design requirements shown on the plans, a design submittal including plan details and calculations will be required for review and acceptance by the Engineer.
Each temporary support shall be capable of supporting a Factored vertical load of 200 kips (150 kips dead load) and a Factored lateral load of 20 kips.
The temporary supports shall be in place prior to Stage I Removal and shall remain in place until Stage II Superstructure Removal is completed.
See Special Provisions for Temporary Support System.
Protective shield shall extend from CL Pier 1 to CL Pier 3.

FILE NAME = 71019_003-stage construction.dgn
CB PROJECT NO. 09870-7

Coombe-Bloxdorf P.C.
- CIVIL ENGINEERS -
- STRUCTURAL ENGINEERS -
- LAND SURVEYORS -
Design Firm License No. 184-002703

USER NAME = .MML.	DESIGNED - GJB	REVISED -
PLOT SCALE = 0:2.000000 '1' / IN.	CHECKED - RKM	REVISED -
PLOT DATE = 8/10/2012	DRAWN - CFC	REVISED -
	CHECKED - RKM/MCB	REVISED -

STATE OF ILLINOIS
DEPARTMENT OF TRANSPORTATION

STAGE CONSTRUCTION DETAILS
STRUCTURE NO. 010-0291

SHEET NO. 3 OF 27 SHEETS

F.A.I. RTE.	SECTION	COUNTY	TOTAL SHEETS	SHEET NO.
57	(10-32HB-2)BY	CHAMPAIGN	81	41
CONTRACT NO. 70109			ILLINOIS FED. AID PROJECT	