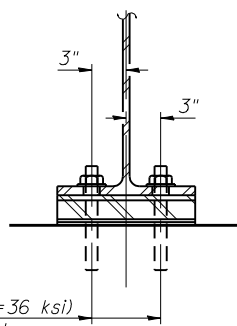


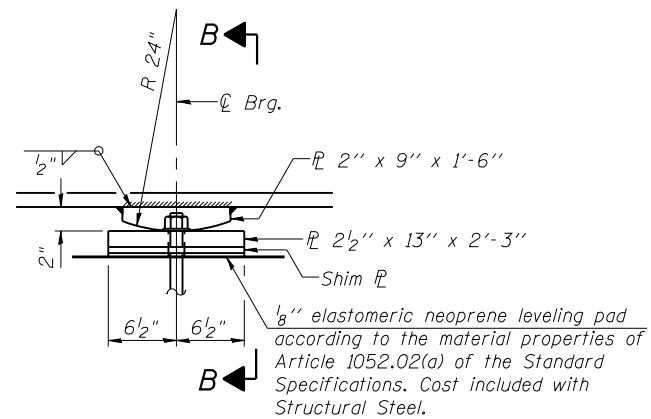
ELEVATION AT ABUTMENT

1/8" elastomeric neoprene leveling pad according to the material properties of Article 1052.02(a) of the Standard Specifications. Cost included with Structural Steel.

1"  $\phi$  x 12" anchor bolts (Fy=36 ksi) with 2 1/4" x 2 1/4" x 5/16" PL washer under nut. 1 3/8" x 2" slotted hole in flange. 1 1/2"  $\phi$  holes in bearing plate.

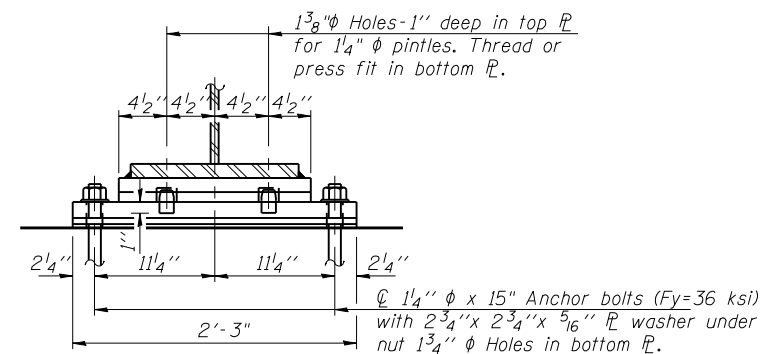


SECTION A-A

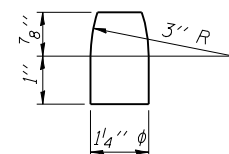


ELEVATION AT PIER

FIXED BEARING AT PIER



SECTION B-B



PINTLE

Notes:

Anchor bolts shall be ASTM F1554 all-thread (or an Engineer-approved alternate material) of the grade(s) and diameter(s) specified. The corresponding specified grade of AASHTO M314 anchor bolts may be used in lieu of ASTM F1554.

Anchor bolts at fixed bearings may be either cast in place or installed in holes drilled after the supported member is in place.

Drilled and set anchor bolts shall be installed according to Article 521.06 of the Standard Specifications.

Two 1/8 in. adjusting shims shall be provided for each bearing in addition to all other plates or shims and placed as shown on bearing details.

BILL OF MATERIAL

Item	Unit	Total
Anchor Bolts 1"	Each	36
Anchor Bolts 1 1/4"	Each	18

FILE NAME = 70109\_019-bearing-detail.dgn  
 CB PROJECT NO. 09070-7

**Coombe-Bloxdorf P.C.**  
 - CIVIL ENGINEERS -  
 - STRUCTURAL ENGINEERS -  
 - LAND SURVEYORS -  
 Design Firm License No. 184-002703

USER NAME = .MML.	DESIGNED - GJB	REVISED -
PLOT SCALE = 0:2.000000 '1' / IN.	CHECKED - RKM	REVISED -
PLOT DATE = 8/10/2012	DRAWN - CFC	REVISED -
	CHECKED - RKM/MCB	REVISED -

**STATE OF ILLINOIS**  
**DEPARTMENT OF TRANSPORTATION**

**BEARING DETAILS**  
**STRUCTURE NO. 010-0291**

SHEET NO. 19 OF 27 SHEETS

F.A.I. RTE.	SECTION	COUNTY	TOTAL SHEETS	SHEET NO.
57	(10-32HB-2)BY	CHAMPAIGN	81	57
			CONTRACT NO. 70109	
ILLINOIS FED. AID PROJECT				