

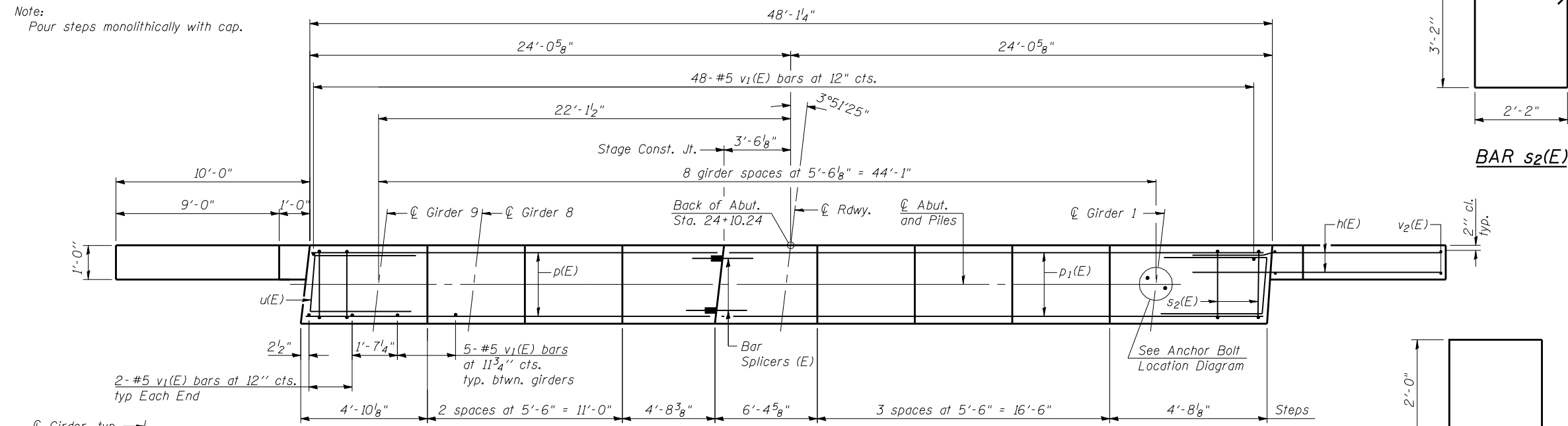
SEC. THRU ABUT.

BILL OF MATERIAL

Bar	No.	Size	Length	Shape
h(E)	52	#6	14'-6"	—
h1(E)	2	#4	11'-3"	—
p(E)	13	#7	20'-2"	—
p1(E)	13	#7	27'-2"	—
** s2(E)	64	#5	11'-7"	□
s3(E)	12	#4	6'-2"	□
u(E)	8	#6	10'-11"	┌
*** v1(E)	92	#5	4'-4"	—
v2(E)	22	#5	11'-2"	—
Structure Excavation		Cu. Yd.	67	
Concrete Structures		Cu. Yd.	20.6	
Reinforcement Bars, Epoxy Coated		Pound	3620	
Furnishing Metal Shell Piles 14" x 0.312"		Foot	360	
Driving Piles		Foot	360	
Test Pile Metal Shells		Each	1	
Pile Shoes		Each	7	

For details of Bar Splicers, see sheet 23 of 27. For details of piles see sheet 24 of 27.

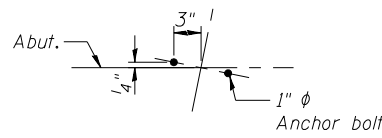
\*\* 27 - Stage I, 37 - Stage II  
 \*\*\* Stage I - 21 back face, 19 front face  
 Stage II - 27 back face, 25 front face



PLAN Showing Dimensions and Reinforcement

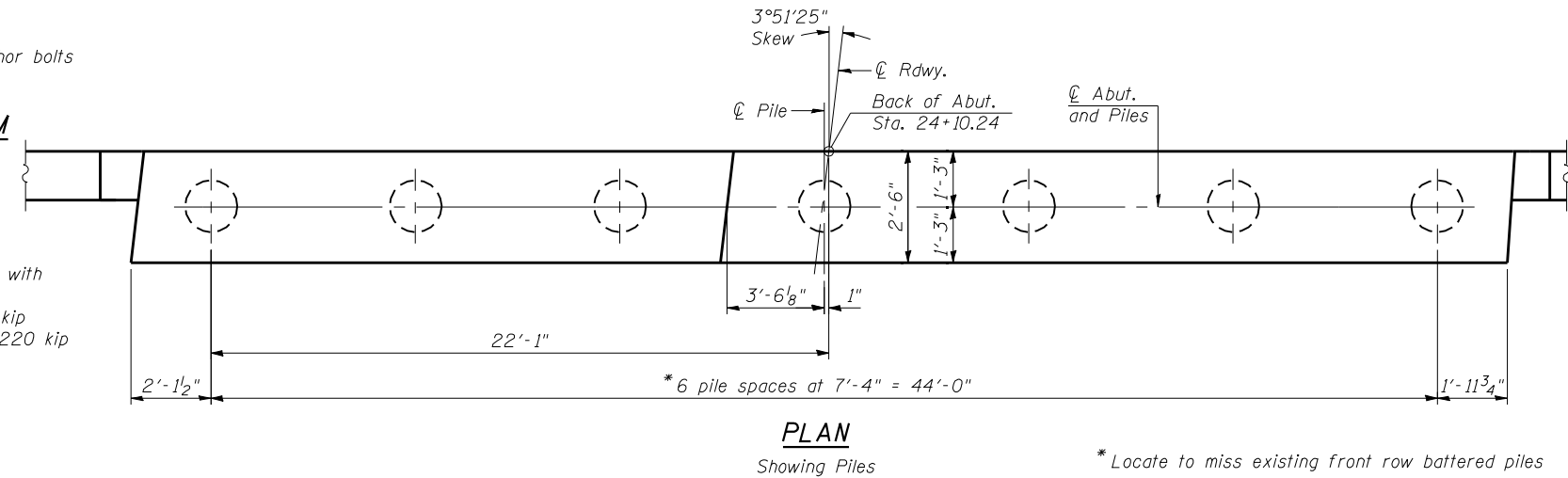
BAR s2(E)

BAR s3(E)

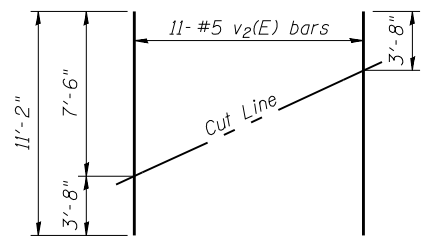


ANCHOR BOLT LOCATION DIAGRAM

**PILE DATA**  
 Type: Metal Shells 14" x 0.312" with pile shoes  
 Nominal Required Bearing: 400 kip  
 Factored Resistance Available: 220 kip  
 Est. Length: 60 ft  
 No. Production Piles: 6  
 No. Test Piles: 1

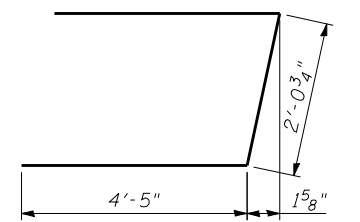


PLAN Showing Piles



FIELD CUTTING DIAGRAM

Order v2(E) full length. Cut as shown and use remainder of bars in opposite face.



BAR u(E)

FILE NAME = 70109-020-01-01-01.dwg

**AI-R**  
 Coombe-Bloxdorf P.C.  
 CIVIL ENGINEERS-  
 STRUCTURAL ENGINEERS-  
 LAND SURVEYORS  
 Design Firm License No. 184-002703

USER NAME = .MML	DESIGNED - GJB	REVISED -
PLOT SCALE = 0:2.000000 '1' / IN.	CHECKED - RKM	REVISED -
PLOT DATE = 8/10/2012	DRAWN - CFC	REVISED -
	CHECKED - RKM/MCB	REVISED -

STATE OF ILLINOIS  
 DEPARTMENT OF TRANSPORTATION

WEST ABUTMENT  
 STRUCTURE NO. 010-0291

SHEET NO. 20 OF 27 SHEETS

F.A.I. RTE.	SECTION	COUNTY	TOTAL SHEETS	SHEET NO.
57	(10-32HB-2)BY	CHAMPAIGN	81	58
CONTRACT NO. 70109			ILLINOIS FED. AID PROJECT	