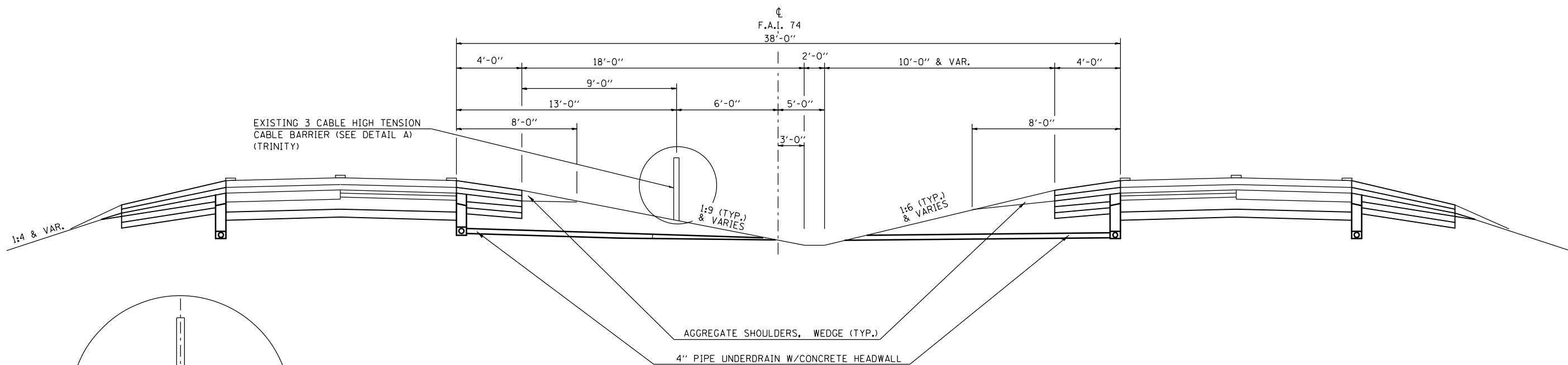


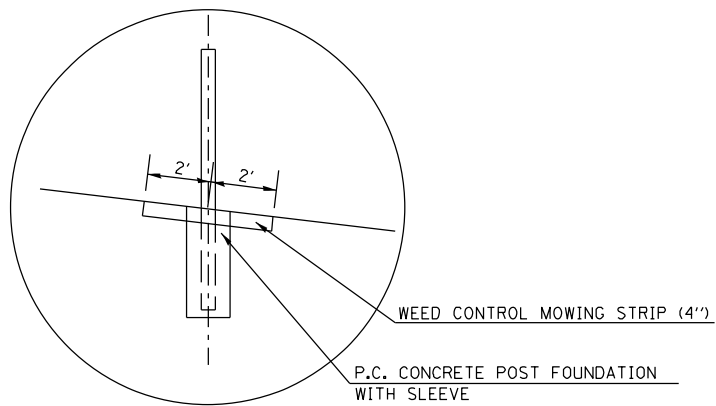
EXISTING TYPICAL CROSS SECTION
F.A.I. ROUTE 74

STA. 1160+55.00 TO STA. 1506+37.00



EXISTING TYPICAL CROSS SECTION
F.A.I. ROUTE 74

STA. 1509+30.67 TO STA. 1573+23.67



DETAIL "A"

NOTE: EXISTING SUPERELEVATION NOT SHOWN FOR ROADWAY.

McDonough-Whitlow, P.C.
Consulting Engineers & Land Surveyors
138 East Wood Street
Hillsboro, IL 62049
Phone: 217.532.9233
Fax: 217.532.6300
PROFESSIONAL DESIGN NO. 184-002754

FILE NAME = D570967-xxx-xxx-TYPICAL.dgn	USER NAME = JLM	DESIGNED JAH	REVISED -
		DRAWN JLM	REVISED -
		CHECKED TMM	REVISED -
		DATE	REVISED -

STATE OF ILLINOIS
DEPARTMENT OF TRANSPORTATION

EXISTING TYPICAL SECTIONS

SCALE: NONE SHEET NO. 1 OF 3 SHEETS STA. _____ TO STA. _____

F.A.I. RTE.	SECTION	COUNTY	TOTAL SHEETS	SHEET NO.
74	MEDIAN CABLE 2012-2	VERMILION	120	5
CONTRACT NO. 70967				
ILLINOIS FED. AID PROJECT				