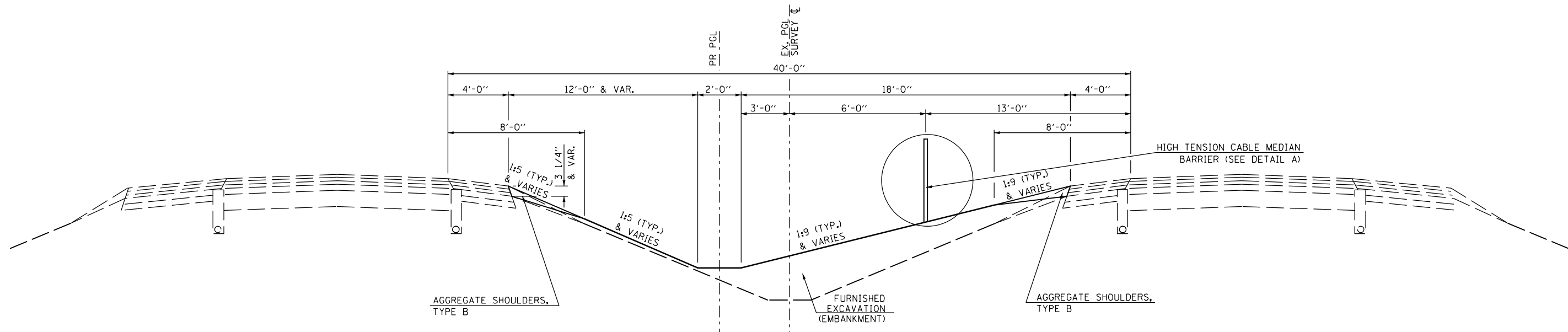


DETAIL "A" (TYPICAL)

1 **PROPOSED TYPICAL CROSS SECTION**
F.A.I. ROUTE 74

- ② STA. 1184+60.00 TO STA. 1240+38.00 ②
- ② STA. 1264+68.00 TO STA. 1285+00.00 ②
- ② STA. 1300+03.00 TO STA. 1319+87.00 ②
- ② STA. 1339+00.00 TO STA. 1412+77.00 ②
- ② STA. 1470+80.00 TO STA. 1506+37.00 ③

NOTE: POST AND ANCHORAGE FOR THE HIGH TENSION CABLE MEDIAN BARRIER, PER MANUFACTURERS SPECIFICATIONS.



2 **PROPOSED TYPICAL CROSS SECTION**
F.A.I. ROUTE 74

- ① STA. 1160+55.00 TO STA. 1183+35.00 ①
- ① STA. 1241+95.00 TO STA. 1264+52.00 ①
- ① STA. 1287+26.00 TO STA. 1299+88.00 ①
- ① STA. 1321+45.00 TO STA. 1337+85.00 ①
- ① STA. 1414+38.00 TO STA. 1469+55.00 ①

McDonough-Whitlow, P.C.
Consulting Engineers & Land Surveyors
138 East Wood Street
Hillsboro, IL 62049
Phone: 217.532.9233
Fax: 217.532.6300
PROFESSIONAL DESIGN NO. 184-002754

FILE NAME = D570967-xxx-xxx-TYPICAL.dgn	USER NAME = JLM	DESIGNED JAH	REVISED -
		DRAWN JLM	REVISED -
		CHECKED TMM	REVISED -
		DATE	REVISED -

STATE OF ILLINOIS
DEPARTMENT OF TRANSPORTATION

PROPOSED TYPICAL SECTIONS

SCALE: NONE SHEET NO. 2 OF 3 SHEETS STA. _____ TO STA. _____

F.A.I. RTE.	SECTION	COUNTY	TOTAL SHEETS	SHEET NO.
74	MEDIAN CABLE 2012-2	VERMILION	120	6
CONTRACT NO. 70967				
ILLINOIS FED. AID PROJECT				