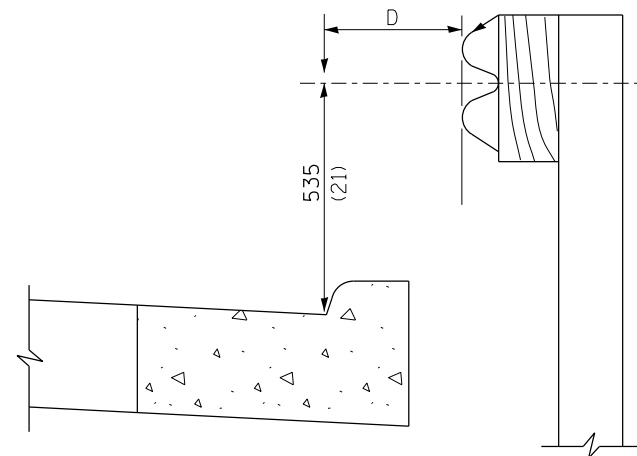


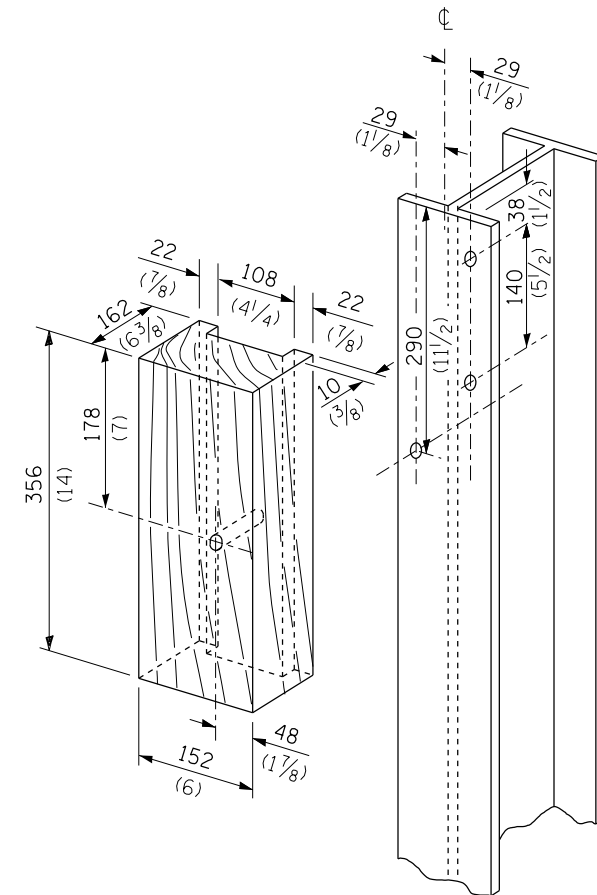
PLAN



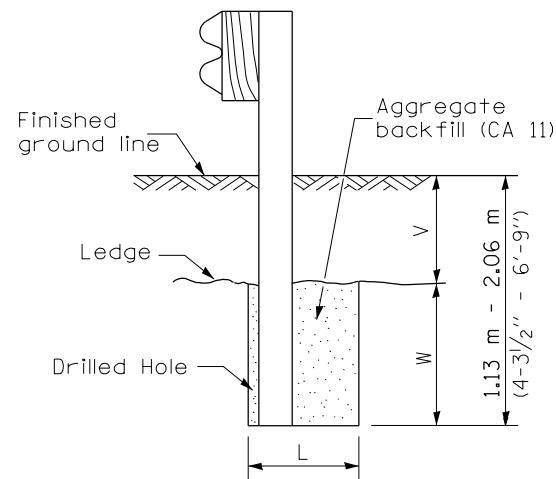
Note:  
If it is necessary for D to be more than 300 (12) and less than 3.0 m (10'-0") type M-5 (M-2) curb and gutter (Std. 606001) shall be used in front of and in advance of the guardrail.

GUARDRAIL PLACED BEHIND CURB

(D = 0 desirable to 300 (12) maximum)



WOOD BLOCK-OUT AND STEEL POST DETAILS

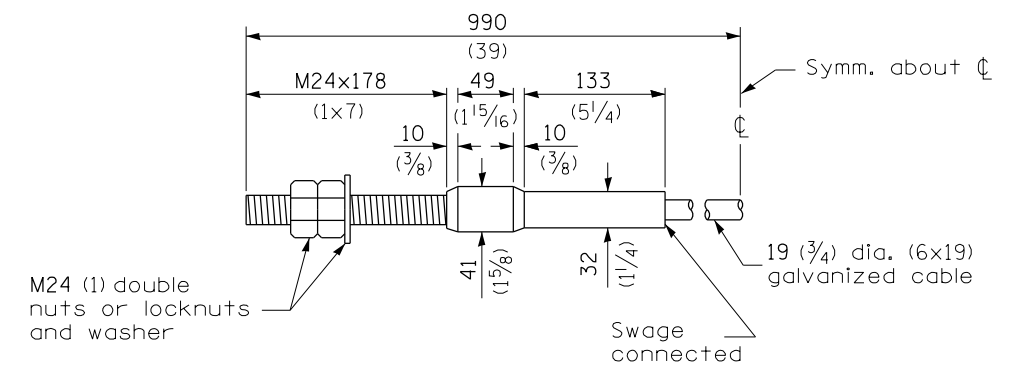


Note:  
Ledge line is top of rock ledge or hard slag fill.

ELEVATION

FOOTING FOR POST WHEN IMPERVIOUS MATERIAL IS ENCOUNTERED

| V                               | W                   | L           |             |
|---------------------------------|---------------------|-------------|-------------|
|                                 |                     | Steel Post  | Wood Post   |
| 0 - 460<br>(0 - 18)             | 610<br>(24)         | 530<br>(21) | 580<br>(23) |
| >460 - 825<br>(>18 - 41.5)      | 305<br>(12)         | 203<br>(8)  | 250<br>(10) |
| >825 - 1.13 m<br>(>41.5 - 53.5) | 305 - 0<br>(12 - 0) | 203<br>(8)  | 250<br>(10) |



CABLE ASSEMBLY

(18,100 kg (40,000 lbs.) min. breaking strength)  
Tighten to taut tension.