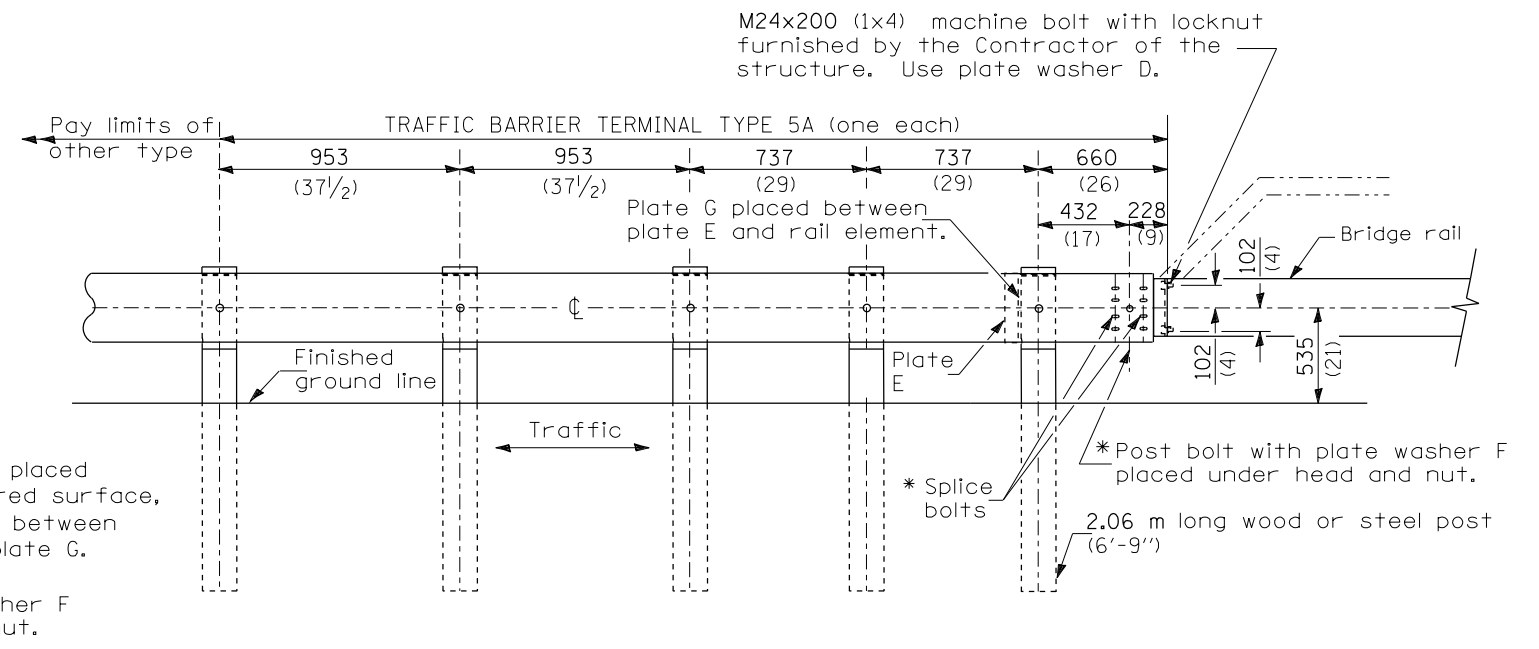
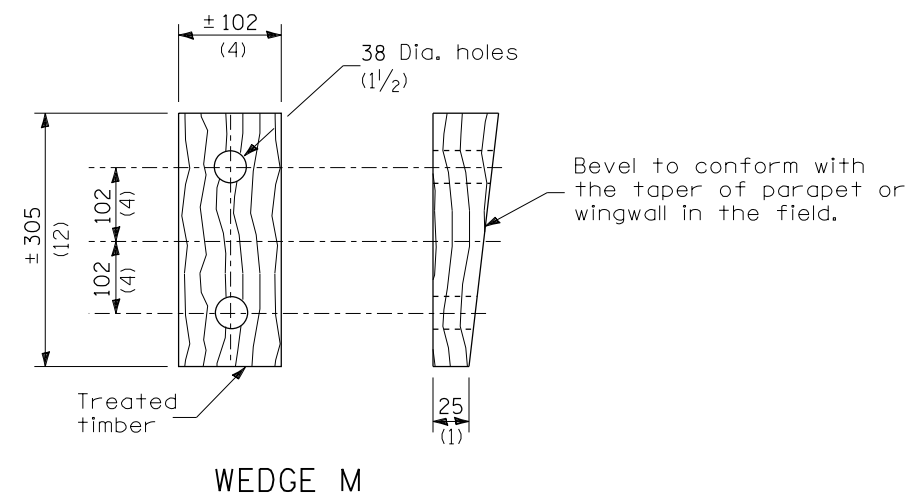
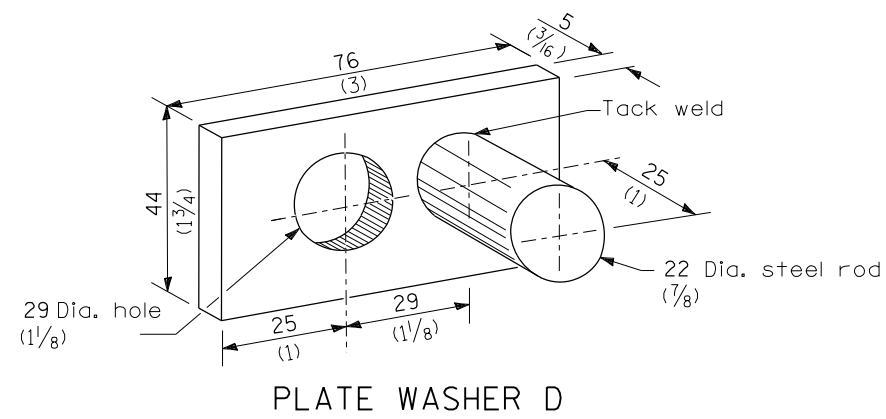
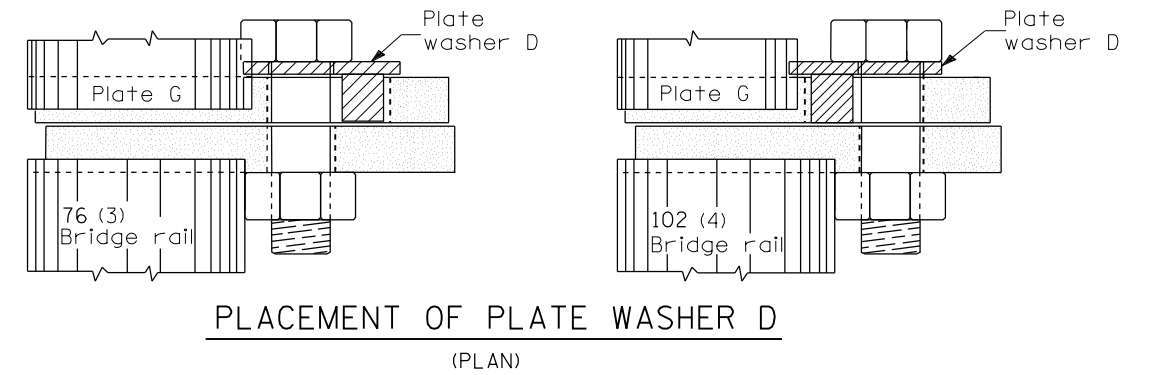
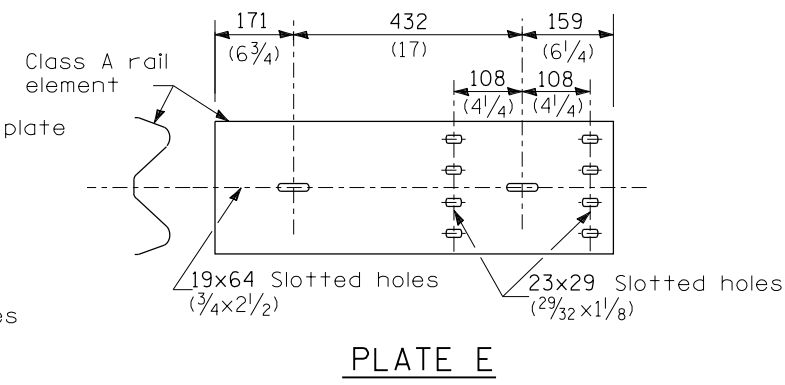
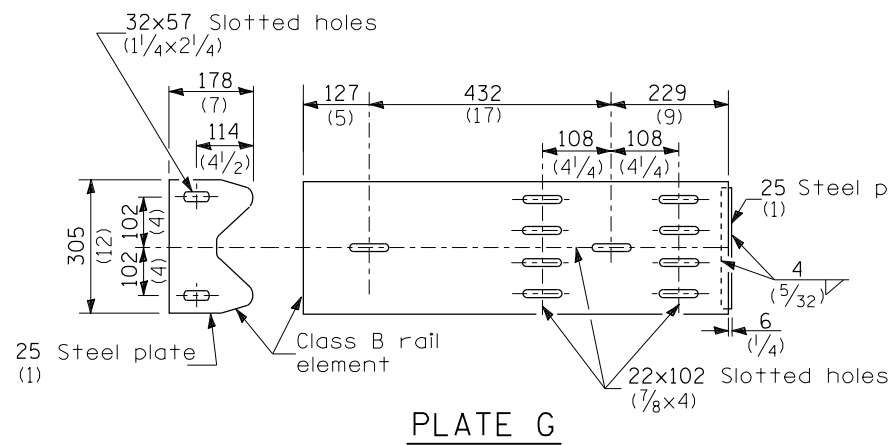


TYPE 5 - CONCRETE BRIDGE PARAPET



TYPE 5A - STEEL BRIDGE RAIL



GENERAL NOTES

- Install plate washer D so that the 25 mm (1") projection fills the remainder of the slotted holes in the 25 mm (1") end plate on plate G after the M24 (1") dia. bolts are in place.
- \* Bolts shall be provided with locknut or double nut and shall be tightened only to a point that will allow plate G to be free to move when an expansion joint exists below the connector.
- See Standard 630001 for details of guardrail not shown.
- All dimensions are in millimeters (inches) unless otherwise shown.

FILE NAME =	USER NAME = sparksgw	DESIGNED -	REVISED -	<b>STATE OF ILLINOIS DEPARTMENT OF TRANSPORTATION</b>	<b>PRE-MGS HIGHWAY STANDARD 631026-02 TRAFFIC BARRIER TERMINAL TYPE 5 &amp; 5A EFFECTIVE 4-1-2006</b> (SHEET 1 OF 1)	F.A. RTE.	SECTION	COUNTY	TOTAL SHEETS	SHEET NO.	
et:\pw\work\p\id\sparksgw\10290736\06722-sh-t-207-631026-02.TraBarTermType5&5A.dwg	DRAWN -	REVISED -	VAR			•	VARIOUS	18	14		
PLOT SCALE = 0:26.000 m / in.	CHECKED -	REVISED -	CONTRACT NO. 72F22								
PLOT DATE = Aug-15-2012 11:58:21AM	DATE -	REVISED -	ILLINOIS FED. AID PROJECT								
					SCALE:	SHEET NO.	OF SHEETS	STA.	TO STA.	• D6 CABLE/GUARDRAIL REPAIR 2013	