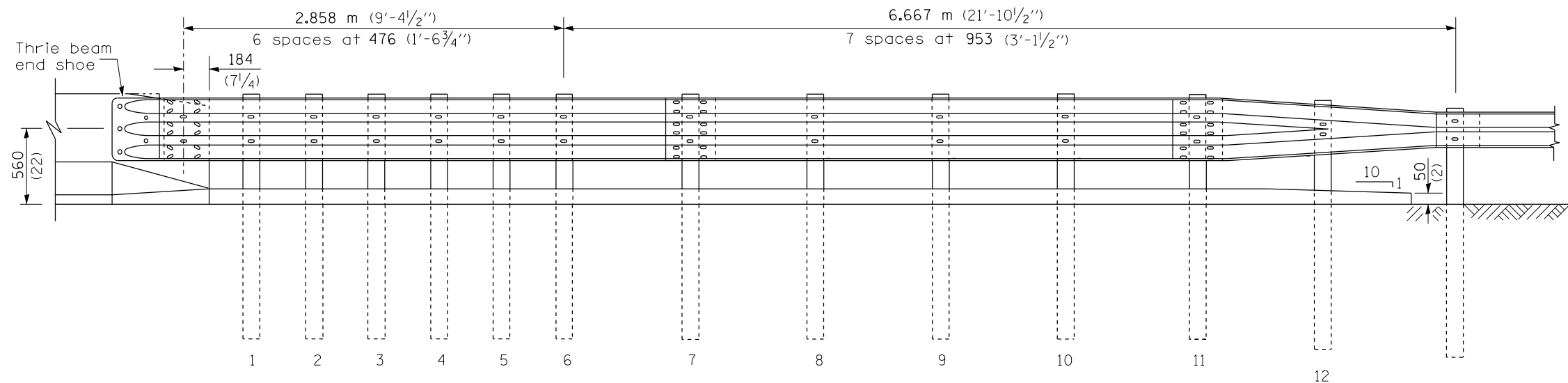
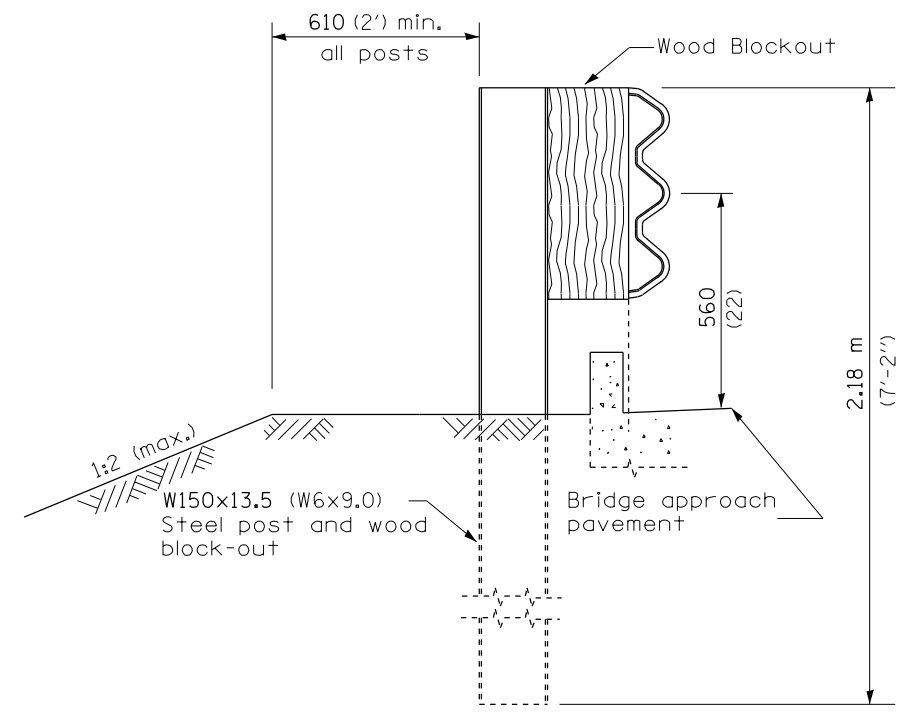


PLAN



ELEVATION



SECTION A-A

GENERAL NOTES

- See Standard 630001 for details of guardrail not shown.
- Thrie beam rail shall be bolted to block-out at all posts.
- See Standard 420401 for details of bridge approach pavement.
- All slope ratios are expressed as units of vertical displacement to units of horizontal displacement (V:H).
- All dimensions are in millimeters (inches) unless otherwise shown.

FILE NAME =	USER NAME = sparksgw	DESIGNED -	REVISED -	STATE OF ILLINOIS DEPARTMENT OF TRANSPORTATION	PRE-MGS HIGHWAY STANDARD 631031-05 TRAFFIC BARRIER TERMINAL, TYPE 6 EFFECTIVE 4-1-06			F.A. RTÉ.	SECTION	COUNTY	TOTAL SHEETS	SHEET NO.	
et:\pwork\pwork\sparksgw\0290736\06722-sh-t-207-631031-05_TrafBarTermType6.dgn		DRAWN -	REVISED -		SCALE:	SHEET NO.	OF SHEETS	STA.	TO STA.	ILLINOIS FED. AID PROJECT	VAR	18	15
		CHECKED -	REVISED -									CONTRACT NO.	72F22
		DATE -	REVISED -										