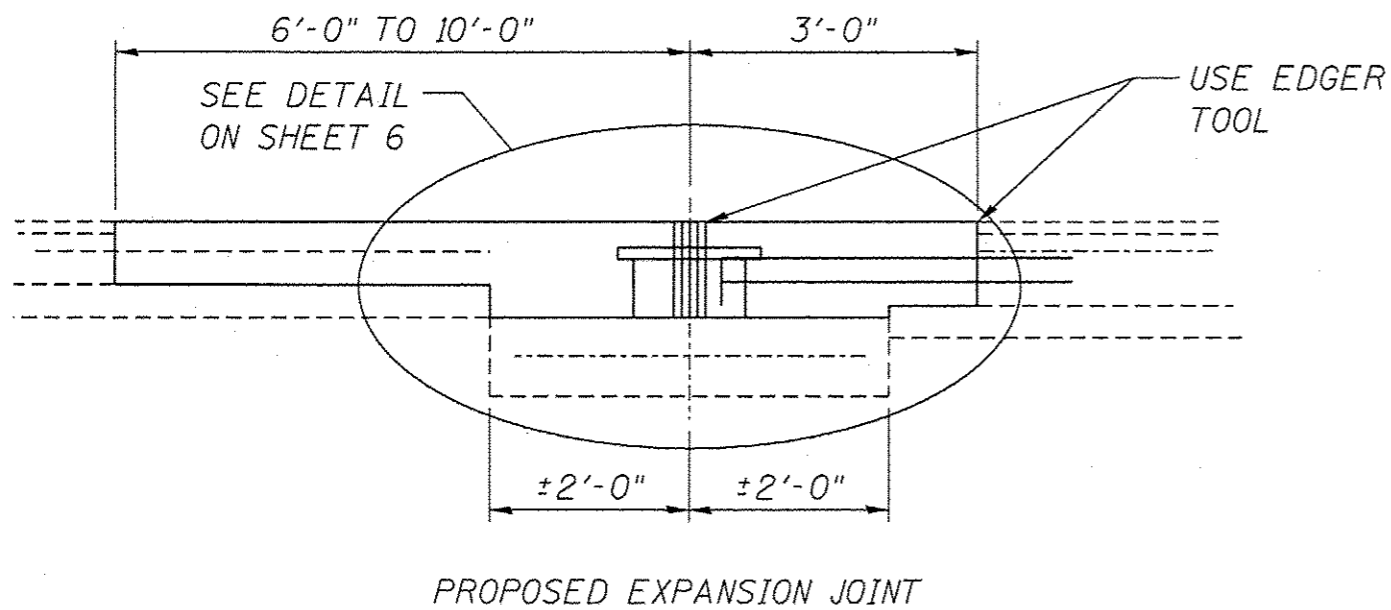


JOINT REPLACEMENT SCHEDULE		
STRUCTURE NO.	STATION	
069-0036	1050+89	WESTBOUND PASSING LANE
069-0038	1169+78	EASTBOUND PASSING LANE
069-0040	1201+63	EASTBOUND PASSING LANE
069-0041	1199+00	WESTBOUND DRIVING LANE
069-0056	50+64	EASTBOUND PASSING LANE
069-0057	50+62	WESTBOUND DRIVING LANE



JOINT DETAILS
FAI 72 (I-72)
SECTION (69-8 & 69-9)I-3
MORGAN COUNTY