

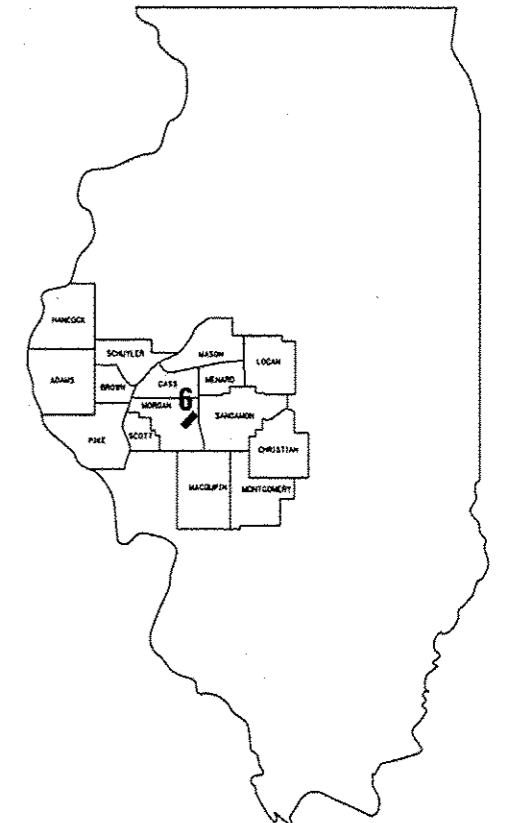
11-9-12 LETTING ITEM 036

FOR INDEX OF SHEETS AND HIGHWAY STANDARDS, SEE SHEET 2.

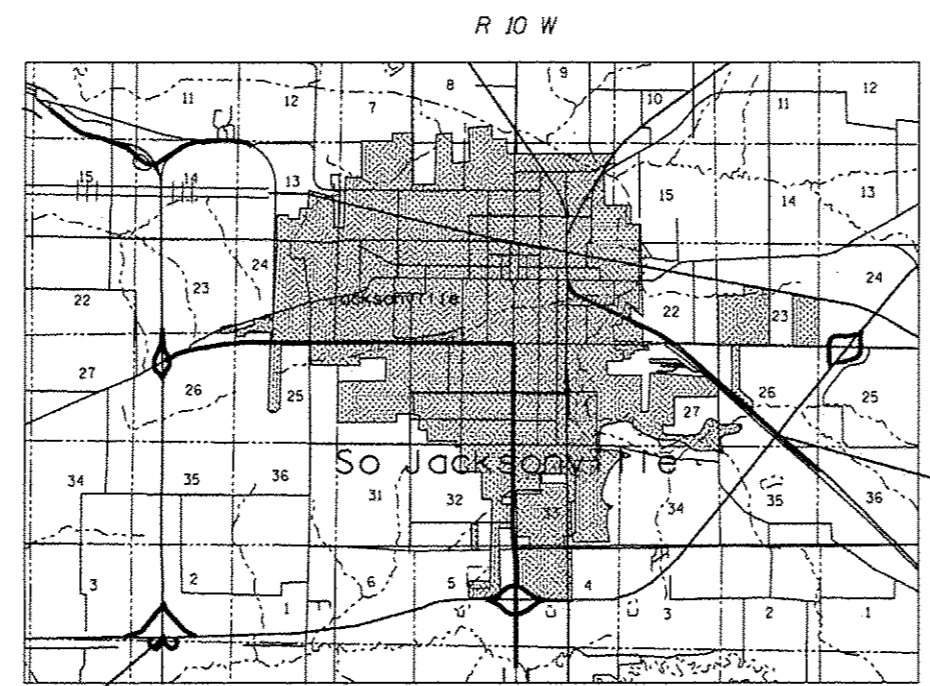
STATE OF ILLINOIS  
DEPARTMENT OF TRANSPORTATION  
DIVISION OF HIGHWAYS

CONTRACT: 72F63  
SHEET 1 OF 7

**PLANS FOR PROPOSED  
CONTRACT MAINTENANCE  
FAI ROUTE 72 (I-72)  
SECTION (69-8 & 69-9)I-3  
MORGAN COUNTY  
C96-081-12 / D96-081-12**



LOCATION OF SECTION INDICATED THUS: ■



END PROJECT  
STA. 1201+63

BEGIN PROJECT  
STA. 46+51

A.D.T. = 8,100 (2,125)

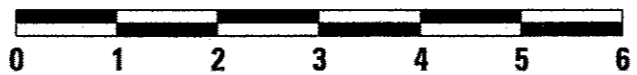
SEE PLAN SHEET FOR LOCATIONS AND STATION EQUATIONS

**J. U. L. I. E.**  
JOINT UTILITY LOCATION INFORMATION FOR EXCAVATION  
1-800-892-0123

PLANS & CONTRACT TECHNICIAN: TIMOTHY SHARP  
PHONE: (217) 782-7743

**CONTRACT NO. 72F63**

NET LTH OF SEC 36,879.30 FT=6.985 MILES



SCALE: 1" = 2 MILES

STATE OF ILLINOIS  
DEPARTMENT OF TRANSPORTATION  
DIVISION OF HIGHWAYS

SUBMITTED August 9 20 12

Rosa Z. D'Amico  
DEPUTY DIRECTOR OF HIGHWAYS, REGION FOUR ENGINEER

October 5 20 12

John D. Baranelli, P.E.  
Acting ENGINEER OF DESIGN AND ENVIRONMENT

October 5 20 12

William R. Frey  
Acting DIRECTOR, DIVISION OF HIGHWAYS

INDEX

1	COVER
2	INDEX / STDS / SIGNATURES
3	QUANTITIES
4	TYPICAL SECTION
5	PLAN
6-7	JOINT DETAILS

STANDARDS

- 701101-02
- 701400-05
- 701401-06
- 701406-06
- 701411-08
- 701901-02

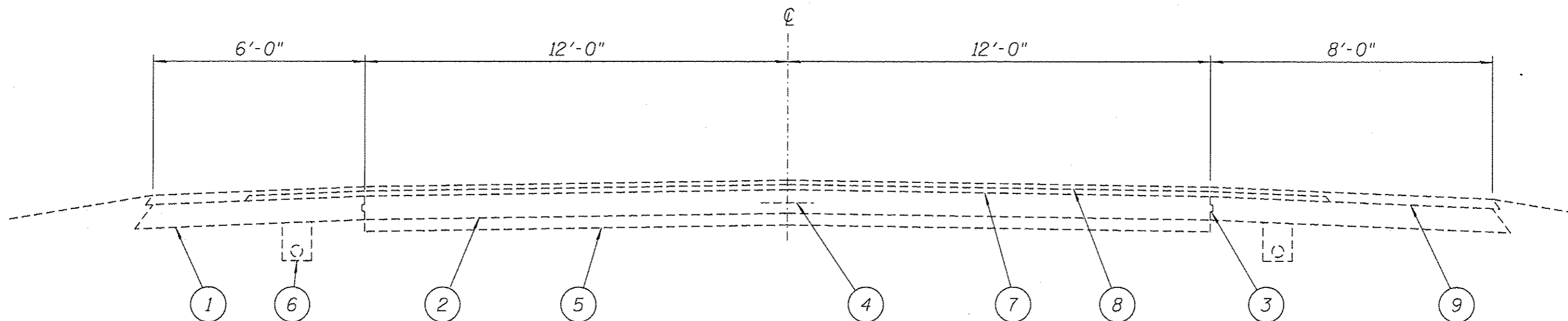
STATE OF ILLINOIS DEPARTMENT OF TRANSPORTATION DIVISION OF HIGHWAYS DISTRICT 6	
EXAMINED	<u>Aug 8</u> 20 <u>12</u> <u>William R. Boyer</u> ENGINEER OF OPERATIONS
EXAMINED	<u>JULY 23</u> 20 <u>12</u> <u>Jerry L. L.</u> ENGINEER OF PROJECT IMPLEMENTATION
EXAMINED	<u>July 24</u> 20 <u>12</u> <u>2RML</u> ENGINEER OF PROGRAM DEVELOPMENT

INDEX / STDS / SIGNATURES  
FAI 72 (I-72)  
SECTION (69-8 & 69-9)I-3  
MORGAN COUNTY

S U M M A R Y O F Q U A N T I T I E S

CODE NO.	ITEM	UNIT	100% STATE
			0005 TOTAL QTY
67100100	MOBILIZATION	L SUM	1
70100420	TRAFFIC CONTROL AND PROTECTION, STANDARD 701411	EACH	3
70100700	TRAFFIC CONTROL AND PROTECTION, STANDARD 701406	L SUM	1
70100800	TRAFFIC CONTROL AND PROTECTION, STANDARD 701401	L SUM	1
Z0021600	EXPANSION JOINT 4"	FOOT	75
Z0043900	PREFORMED JOINT FILLER	FOOT	75

QUANTITIES  
FAI 72 (I-72)  
SECTION (69-8 & 69-9)I-3  
MORGAN COUNTY

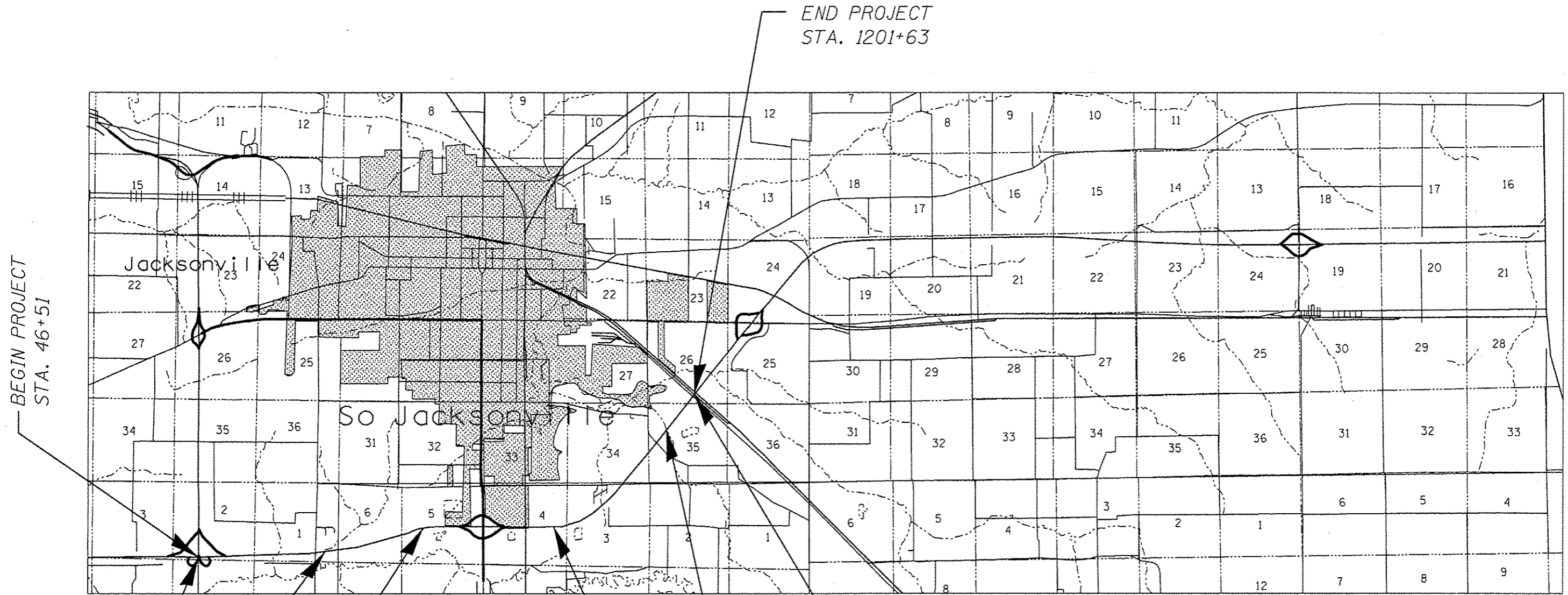


STRUCTURE NUMBERS  
 069-0036, 069-0038, 069-0040, 069-0041,  
 069-0056 & 069-0057

L E G E N D

- 1 - EXIST. STABILIZED SHOULDERS 8"
- 2 - EXIST. P.C.C. PAVEMENT 8"
- 3 - EXIST. KEYWAY
- 4 - EXIST. LONGITUDINAL JOINT
- 5 - EXIST. STABILIZED SUB-BASE 4"
- 6 - EXIST. SUB-SURFACE DRAINS
- 7 - EXIST. BIT. BINDER. CRSE., MIX B CLASS I 1<sup>3</sup>/<sub>4</sub>"
- 8 - EXIST. BIT. SURF. CRSE., MIX D, CLASS I 1<sup>1</sup>/<sub>2</sub>"
- 9 - EXIST. BIT. SHOULDER 3"

TYPICAL SECTION  
 FAI 72 (I-72)  
 SECTION (69-8 & 69-9)I-3  
 MORGAN COUNTY



STRUCTURE NO:  
069-0055 W.B. &  
069-0056 E.B.

STRUCTURE NO:  
069-0057 W.B. &  
069-0058 E.B.

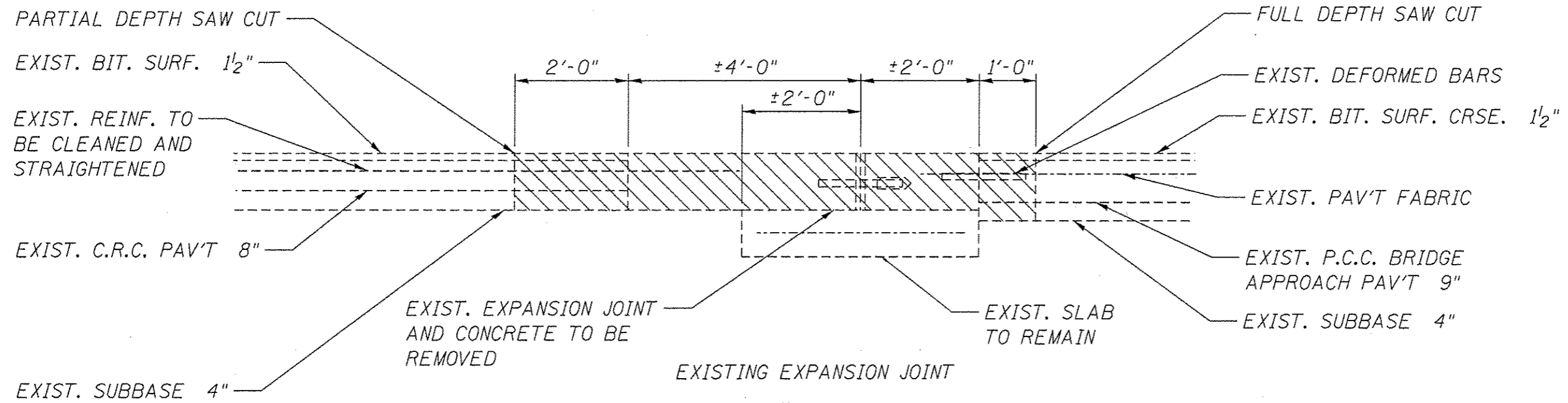
STATION EQUATION  
 $212+67.3bk=999+00.00ah$

STRUCTURE NO:  
069-0041 W.B. &  
069-0040 E.B.

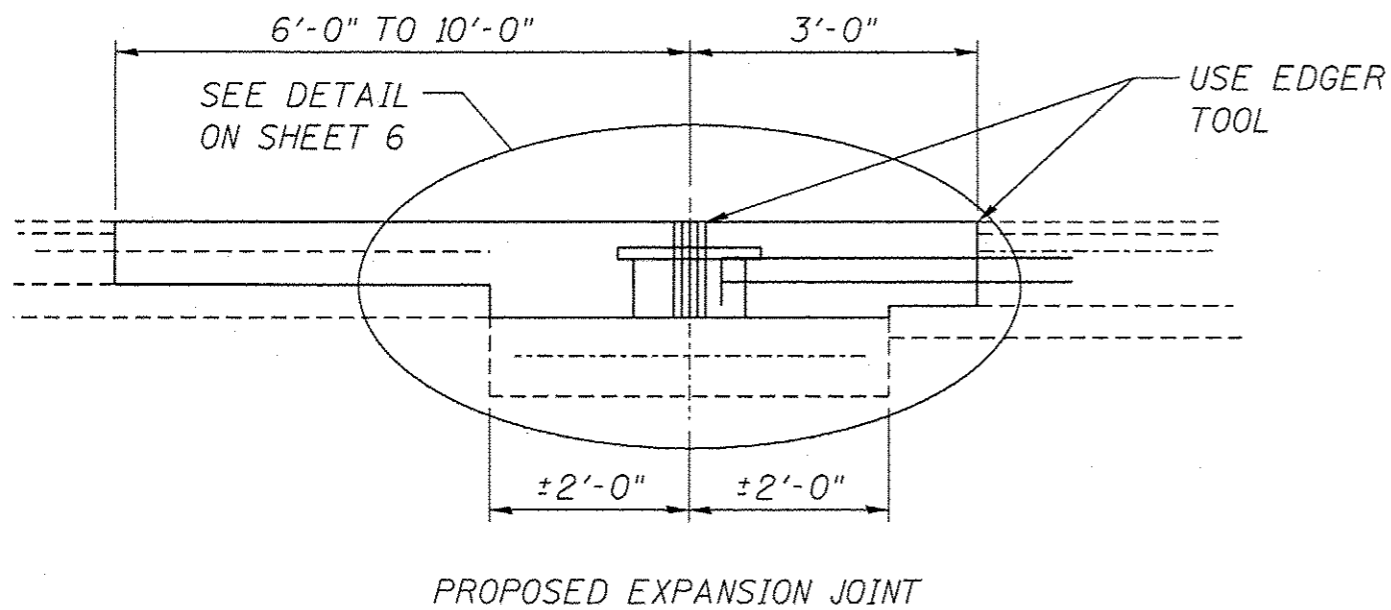
STRUCTURE NO:  
069-0039 W.B. &  
069-0038 E.B.

STRUCTURE NO:  
069-0036 W.B. &  
069-0035 E.B.

PLAN  
FAI 72 (I-72)  
SECTION (69-8 & 69-9)I-3  
MORGAN COUNTY

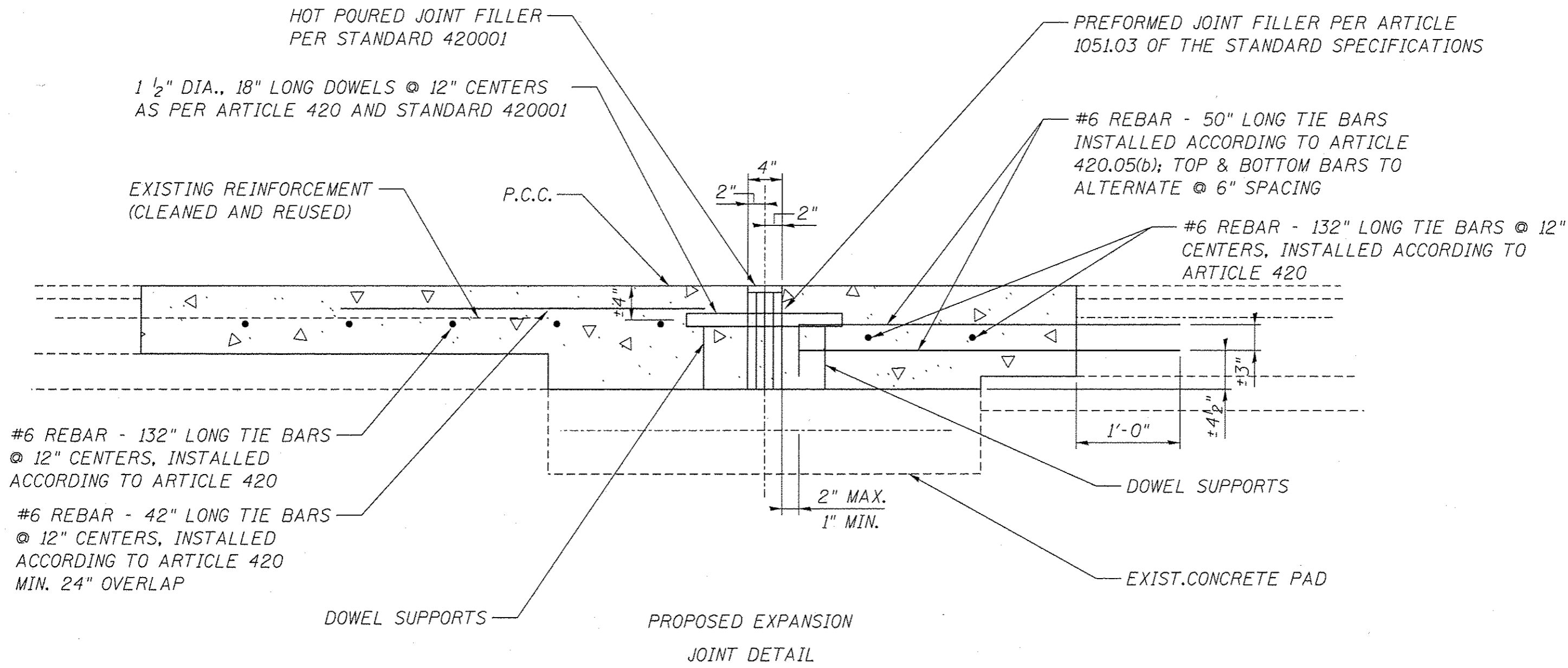


JOINT REPLACEMENT SCHEDULE		
STRUCTURE NO.	STATION	
069-0036	1050+89	WESTBOUND PASSING LANE
069-0038	1169+78	EASTBOUND PASSING LANE
069-0040	1201+63	EASTBOUND PASSING LANE
069-0041	1199+00	WESTBOUND DRIVING LANE
069-0056	50+64	EASTBOUND PASSING LANE
069-0057	50+62	WESTBOUND DRIVING LANE



JOINT DETAILS  
FAI 72 (I-72)  
SECTION (69-8 & 69-9)I-3  
MORGAN COUNTY

007 11 001



JOINT DETAILS  
FAI 72 (I-72)  
SECTION (69-8 & 69-9)I-3  
MORGAN COUNTY