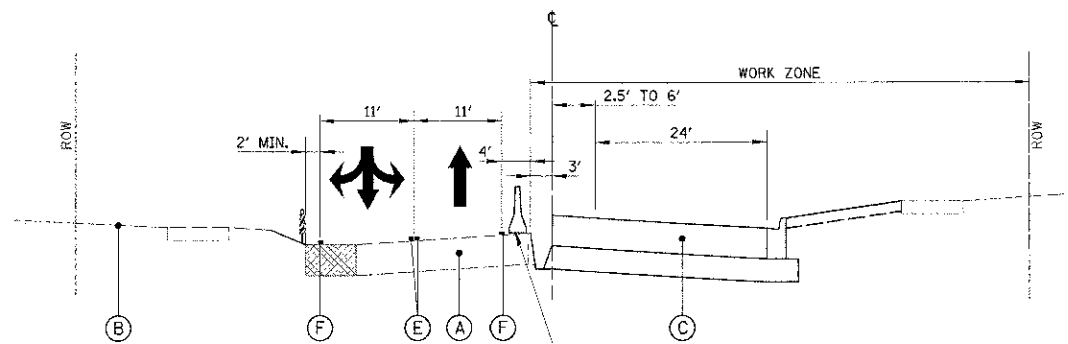


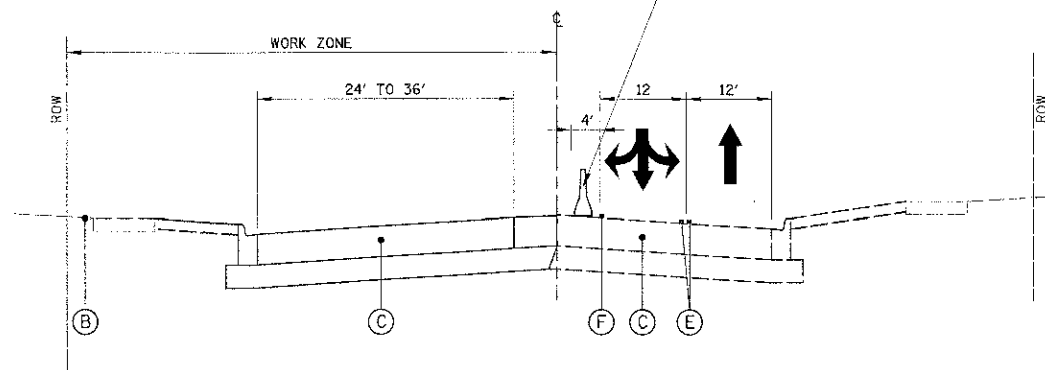
**TYPICAL SECTION - PRE STAGE
NEW WILKE ROAD**

STA. 495+95 TO STA. 499+41



**TYPICAL SECTION - STAGE 1
NEW WILKE ROAD**

STA. 500+00 TO STA. 504+70.0



**TYPICAL SECTION - STAGE 2
NEW WILKE ROAD**

STA. 500+00 TO STA. 504+70.0

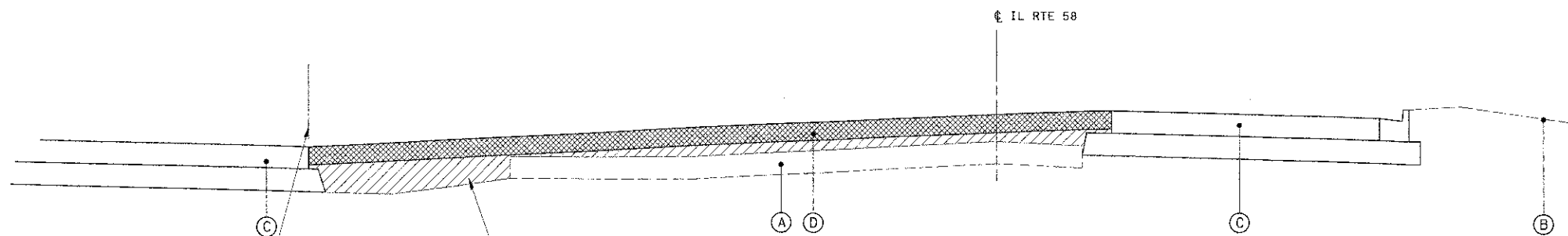
LEGEND

- (A) EXISTING ROADWAY
- (B) EXISTING GROUND
- (C) PROPOSED ROADWAY
- (D) TEMPORARY PAVEMENT
- (E) TEMPORARY PAVEMENT MARKING - LINE, YELLOW
TEMP RAIS REF PVT MKR
- (F) TEMPORARY PAVEMENT MARKING - LINE, WHITE
TEMP RAIS REF PVT MKR

- TEMPORARY BARRIER WALL
- DRUM W/STEADY BURN BI-DIRECTIONAL LIGHT
- DOUBLE VERTICAL PANEL (A PANEL ON EACH SIDE OF THE POST) W/STEADY BURN BI-DIRECTIONAL LIGHT
- TEMPORARY PAVEMENT, 8"
- TRAFFIC DIRECTION

GOLF RD TO STA 502+50
AND AT SUB-STAGES:
TEMP BAR WALL WITH IMP ATTN TEMP NRD TL2
ALL OTHER LOCATIONS:
DRUM W/ STEADY BURN LIGHT
OR
DOUBLE VERTICAL PANEL W/
STEADY BURN BI-DIRECTIONAL LIGHT
AS SHOWN IN PLANS AND AS DIRECTED BY ENGINEER

STA 501+00 TO STA 505+00
AND AT SUB-STAGES:
TEMP BAR WALL WITH IMP ATTN TEMP NRD TL2
ALL OTHER LOCATIONS:
DRUM W/ STEADY BURN LIGHT
OR
DOUBLE VERTICAL PANEL (A PANEL ON EACH SIDE
OF THE POST) W/STEADY BURN BI-DIRECTIONAL LIGHT
AS SHOWN IN PLANS AND AS DIRECTED BY ENGINEER



**INTERSECTION TEMP PAVEMENT DETAIL
(LOOKING EAST)**

FILE NAME: =	USER NAME: = mwarder	DESIGNED - BLL	REVISED -	STATE OF ILLINOIS DEPARTMENT OF TRANSPORTATION	IL RTE 58 (GOLF ROAD) AND NEW WILKE ROAD IMPROVEMENTS SUGGESTED MAINTENANCE OF TRAFFIC - TYPICAL SECTIONS NEW WILKE RD		F.A.P. RTE. 0559	SECTION 00-00078-00-CH	COUNTY COOK	TOTAL SHEETS 116	SHEET NO. 37
DATE: 12/14/2012	DATE: 8/06/12	DRAWN - PMM	REVISED -		SCALE: N.T.S.	SHEET NO. 3 OF 3 SHEETS	STA. TO STA.	FED. ROAD DIST. NO.	ILLINOIS FED. AID PROJECT	CONTRACT NO. 83735	
PLOT SCALE: = 2"		CHECKED - JGS	REVISED -								
		DATE: 8/06/12	REVISED -								