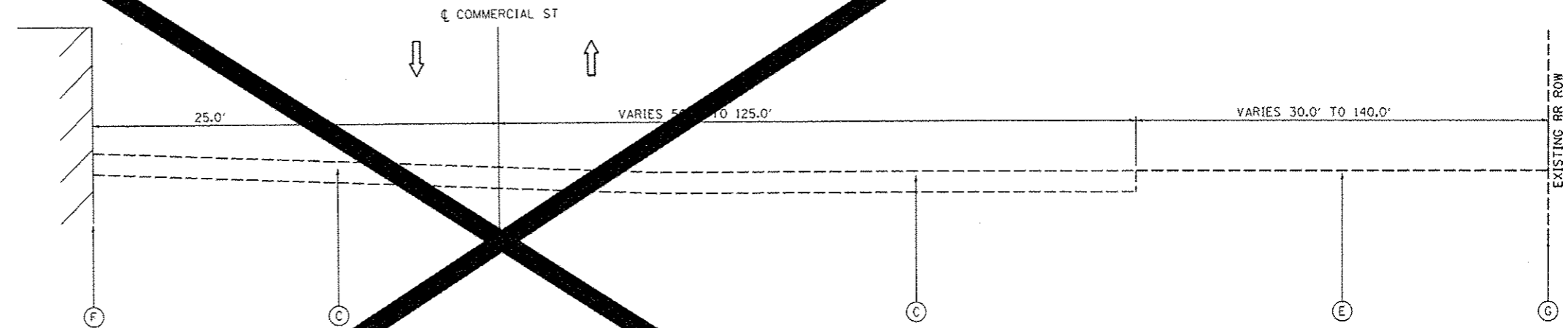
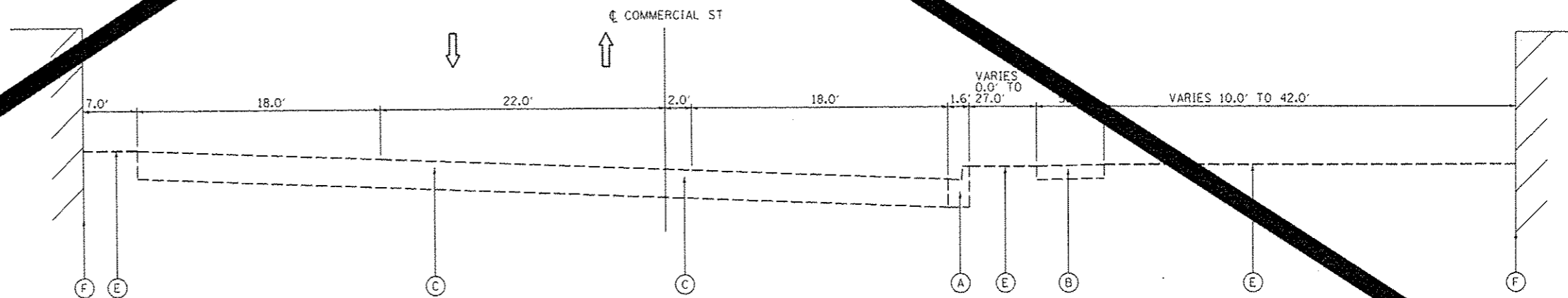


EXISTING TYPICAL SECTION - COMMERCIAL STREET
STATION 1708+00 TO 1711+32



EXISTING TYPICAL SECTION - COMMERCIAL STREET
STATION 1711+00 TO 1714+00



EXISTING TYPICAL SECTION - COMMERCIAL STREET
STATION 1714+00 TO 1716+70.23

LEGEND

- (A) EXISTING COMBINATION CONCRETE CURB AND GUTTER
- (B) EXISTING CONCRETE SIDEWALK
- (C) EXISTING PAVEMENT, 8"
- (D) EXISTING AGGREGATE SURFACE
- (E) EXISTING GROUND
- (F) EXISTING BUILDING
- (G) EXISTING RAILROAD ROW



NAME : c:\pwise\work\do_not_delete\dms75322\04	USER NAME = manski0398	DESIGNED - LNF	REVISED -	STATE OF ILLINOIS DEPARTMENT OF TRANSPORTATION	COMMERCIAL STREET EXISTING TYPICAL SECTIONS			F.A.U. RTE. 1211	SECTION 12-00356-01-PV	COUNTY PEORIA	TOTAL SHEETS 23	SHEET NO. 23
	PLOT SCALE = 10.0000' / in.	DRAWN - WAH	REVISED -		SCALE: N/A	SHEET NO. OF SHEETS	STA. TO STA.	ILLINOIS FED. AID PROJECT 110-5093156				
	PLOT DATE = 07/23/2012	CHECKED - MCH	REVISED -									
		DATE - 7/18/12	REVISED -									