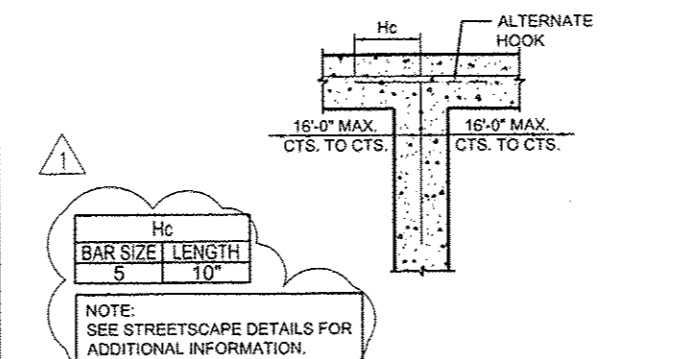


DECORATIVE CONCRETE BLOCK RETAINING WALL GENERAL NOTES

- CONTRACTOR TO FIELD VERIFY EXISTING ELEVATIONS AND DIMENSIONS BEFORE STARTING CONSTRUCTION. NOTIFY OWNER'S REPRESENTATIVE OF ANY DISCREPANCIES.
- CONTRACTOR TO FIELD LOCATE ALL UTILITIES BEFORE STARTING CONSTRUCTION.
- WORK SHALL INCLUDE REMOVAL AND REPLACEMENT OF WALL AND ALL WORK ASSOCIATED WITH THIS BETWEEN STATION 159+67.51, 39.67 RT AND 161+78.23, 40.58 RT. SEE SPECIAL PROVISIONS FOR ADDITIONAL INFORMATION.
- AFTER EXCAVATION IS COMPLETE TO BOTTOM OF GRAVEL BASE AND BEFORE INSTALLING THE GRAVEL BASE, THE CONTRACTOR SHALL TEST THE STRENGTH OF THE SOIL. THE MINIMUM UNCONFINED COMPRESSIVE STRENGTH REQUIRED IS 1500 psi.
- THE RETAINING WALL SYSTEM TO BE USED SHALL MATCH THE EXISTING BLOCK WALL SYSTEM. IF THE EXISTING BLOCK WALL SYSTEM IS NO LONGER BEING MANUFACTURED, THE CONTRACTOR SHALL SUBMIT TO THE ENGINEER FOR REVIEW A BLOCK WALL SYSTEM OF SIMILAR BLOCK SHAPE, SIZE, AND COLOR FROM ONE OF THE FOLLOWING: ALLEN BLOCK WALL SYSTEM, EARTHWORKS RETAINING WALL SYSTEM, KEYSTONE WALL SYSTEM, VERSA-LOK WALL SYSTEM, ROCKWELL OR APPROVED EQUAL. THE WALL SHALL BE INSTALLED IN ACCORDANCE WITH THE MANUFACTURER'S RECOMMENDATIONS AND INSTRUCTIONS (INCLUDING DRAIN TILE LINE) AND AS SHOWN ON THE PLANS. THE DRAIN TILE SHALL BE PROVIDED AND CONNECTED INTO THE NEAREST DOWNSTREAM INLET.
- BACKFILL MATERIAL SHALL BE AS RECOMMENDED BY THE MANUFACTURER AND PLACEMENT OF FILL SHALL ALSO BE AS RECOMMENDED BY THE MANUFACTURER.
- ALL WORK SHALL BE PERFORMED IN ACCORDANCE WITH THE STANDARD SPECIFICATIONS FOR ROAD AND BRIDGE CONSTRUCTION IN ILLINOIS ADOPTED JANUARY 1, 2012, AND THE LATEST EDITION OF THE SUPPLEMENTAL SPECIFICATIONS AND RECURRING SPECIAL PROVISIONS.
- THE CONTRACTOR SHALL TAKE ALL PRECAUTIONS NECESSARY TO PROTECT THE EXISTING STRUCTURES FROM ANY DAMAGE DUE TO THE CONSTRUCTION OPERATION. ANY ITEMS DAMAGED BY THE CONTRACTOR SHALL BE REPAIRED BY THE CONTRACTOR AT THE CONTRACTOR'S EXPENSE TO THE SATISFACTION OF THE OWNER.
- THE CONTRACTOR SHALL FURNISH AND INSTALL A GRAVEL BASE UNDER THE RETAINING WALL AS SHOWN IN THE PLANS AND IN ACCORDANCE WITH THE MANUFACTURER'S INSTRUCTIONS.
- CONTRACTOR TO COORDINATE THIS SHEET WITH THE PLANS, CROSS SECTIONS AND SPECIAL PROVISIONS.

Decorative Concrete Block Retaining Wall Typical Section

Scale: Not To Scale

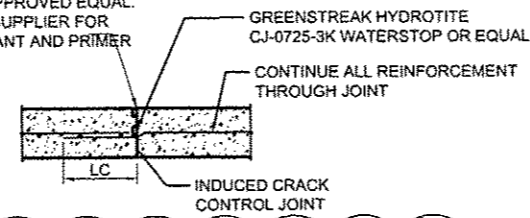


Concrete Structures (Special) - Typical Interior Corner

Scale: Not To Scale

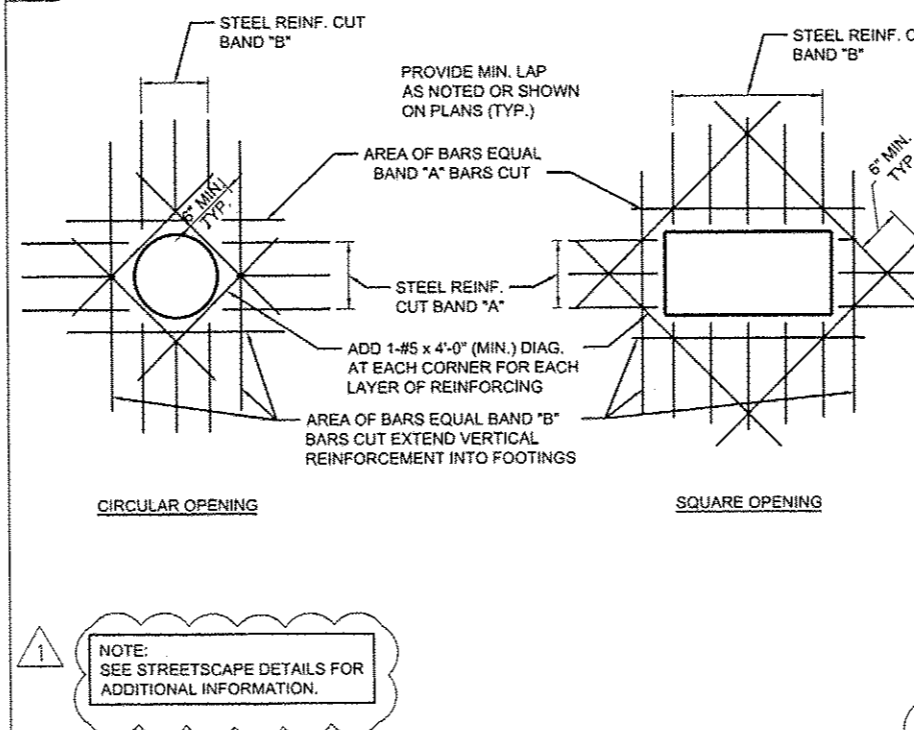
2 - 1/2"x1/8" SAWCUT

INTERIOR FACE PRIME JOINT WITH SIKAFLEX 429 OR APPROVED EQUAL. FILL JOINT WITH SIKAFLEX-2C, NS/SL OR APPROVED EQUAL. USE SAME SUPPLIER FOR BOTH SEALANT AND PRIMER



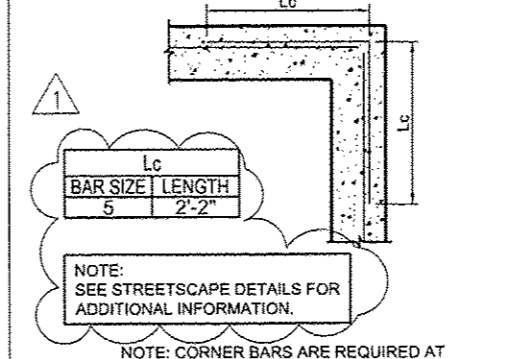
Concrete Structures (Special) - Typical Construction Joint Detail

Scale: Not To Scale



Concrete Structures (Special) - Typical Reinforcing Around Openings Detail

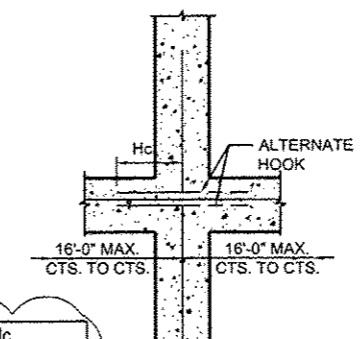
Scale: Not To Scale



Concrete Structures (Special) - Typical Exterior Corner

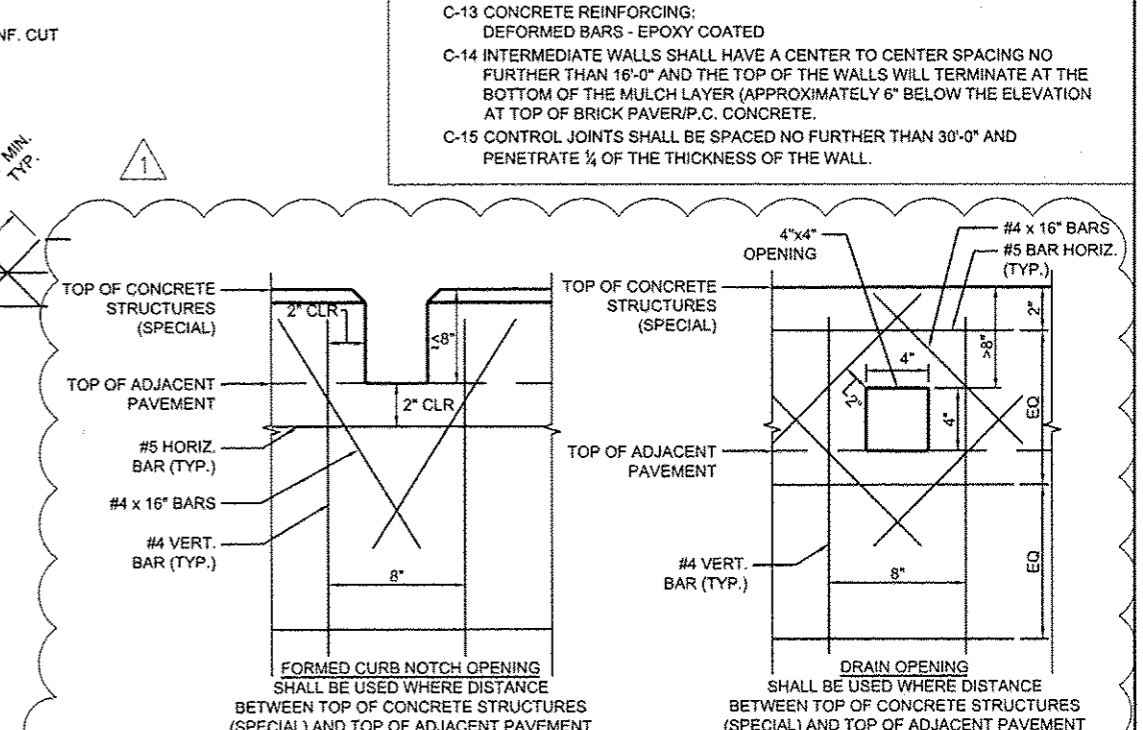
Scale: Not To Scale

NOTE: CORNER BARS ARE REQUIRED AT ALL CORNER LOCATIONS.



Concrete Structures (Special) - Typical Intermediate Wall Crossing

Scale: Not To Scale



CONCRETE STRUCTURES (SPECIAL) STRUCTURAL NOTES

- FOUNDATION**
- F-1 IT IS THE CONTRACTOR'S RESPONSIBILITY TO KEEP ALL STRUCTURAL EXCAVATIONS DEWATERED DURING CONSTRUCTION TO AVOID BUOYANCY AND DETERIORATION OF THE EXCAVATION.
 - F-2 CONTRACTOR SHALL CONFIRM SOIL BEARING CAPACITIES FOR STRUCTURES TO INSURE THAT THEY MEET CALCULATED MAXIMUM BEARING PRESSURES SHOWN ON THE PLANS BEFORE CONSTRUCTING FOOTINGS, PADS, ETC. COORDINATE RESULTS WITH OWNER'S REPRESENTATIVE.
- CONCRETE**
- C-1 REINFORCED CONCRETE DESIGNED IN ACCORDANCE WITH THE "BUILDING CODE REQUIREMENTS FOR REINFORCED CONCRETE" (ACI 318-09) BY THE ACI.
 - C-2 UNLESS OTHERWISE SHOWN OR NOTED, PROVIDE 1 - #5 BARS AROUND UNFRAMED OPENINGS IN CONCRETE WALLS AND SLABS. PLACE BARS ON ALL FOUR SIDES OR CORNERS OF OPENINGS AND EXTEND BARS 24" BEYOND CORNERS OF SQUARE OPENINGS AND THE EDGE OF CIRCULAR OPENINGS.
 - C-3 FORM TIES WITH WATERSTOPS AND 1" BREAKBACK CONES SHALL BE PROVIDED.
 - C-4 ALL CONCRETE SHALL BE CLASS SI COMPRESSIVE STRENGTH $f_c = 4000$ PSI @ 28 DAYS.
 - C-5 ALL EXPOSED EDGES OF CONCRETE SHALL HAVE 1" CHAMFER UNLESS OTHERWISE NOTED.
 - C-6 REINFORCING STEEL $f_y = 60,000$ PSI
 - C-7 REINFORCING BARS COVER SHALL BE 2" EXCEPT FOR CONCRETE CAST AGAINST EARTH, WHICH SHALL BE 3" UNLESS SHOWN OTHERWISE.
 - C-8 THE MINIMUM BAR LAPS SHOULD BE AS FOLLOWS UNLESS SHOWN AS LONGER ON THE PLANS:

BAR SIZE	VERTICAL	HORIZONTAL
#4	1'-4"	1'-9"
#5	1'-8"	2'-2"
 - C-9 VISIBLE SHRINKAGE CRACKS SHALL BE REPAIRED AT THE CONTRACTOR'S EXPENSE. CONTRACTOR TO SUBMIT METHODOLOGY TO OWNER'S REPRESENTATIVE PRIOR TO COMMENCEMENT OF WORK.
 - C-10 LEAKING JOINTS OR CRACKS SHALL BE PRESSURE INJECTED TO DRY CONDITIONS AT THE CONTRACTOR'S EXPENSE. CONTRACTOR SHALL SUBMIT METHODOLOGY TO OWNER'S REPRESENTATIVE PRIOR TO COMMENCEMENT OF WORK.
 - C-11 UNLESS OTHERWISE SHOWN OR NOTED, SPlicing OF REINFORCING BARS SHALL CONFORM TO THE REQUIREMENTS OF ACI 318 SECTIONS 12.14-12.17. SPlicing OF WWF SHALL CONFORM TO ACI 318 12.18-12.19.
 - C-12 REINFORCING BAR DETAILING, FABRICATING, AND PLACING SHALL CONFORM TO THE CONCRETE REINFORCING STEEL INSTITUTE'S "REINFORCING BAR DETAILING" AND "PLACING REINFORCING BARS".
 - C-13 CONCRETE REINFORCING: DEFORMED BARS - EPOXY COATED
 - C-14 INTERMEDIATE WALLS SHALL HAVE A CENTER TO CENTER SPACING NO FURTHER THAN 16'-0" AND THE TOP OF THE WALLS WILL TERMINATE AT THE BOTTOM OF THE MULCH LAYER (APPROXIMATELY 6" BELOW THE ELEVATION AT TOP OF BRICK PAVEMENT/P.C. CONCRETE).
 - C-15 CONTROL JOINTS SHALL BE SPACED NO FURTHER THAN 30'-0" AND PENETRATE 1/4 OF THE THICKNESS OF THE WALL.

10 Scale: Not To Scale

FILE NAME: c:\pwise\work\do_not_delete\dms73427\DWG\01959-shr-details-12dsc02.dgn	USER NAME: dms060878	DESIGNED: ALW	REVISED: 10/24/12
PL01 SCALE: 2.0000 1/16"	PL01 DATE: 10/23/2012	DRAWN: ALW	CHECKED: BAB
		DATE: 10/24/2012	REVISED:

STATE OF ILLINOIS DEPARTMENT OF TRANSPORTATION

TIGER II - WAREHOUSE DISTRICT STREETScape DETAILS

SCALE: N.T.S. SHEET NO. OF SHEETS STA. TO STA.

F.A.U. RTE	SECTION	COUNTY	TOTAL SHEETS	SHEET NO.
12-00356-01-PV	PEORIA	519	278	
CONTRACT NO. 89626				
ILLINOIS FED. AID PROJECT 716-509315(B)				

Farnsworth GROUP
7707 N. KNOXVILLE AVE., SUITE 100
PEORIA, ILLINOIS 61614
TEL: 309.696.7100 FAX: 309.696.7100
WWW.FSGROUP.COM