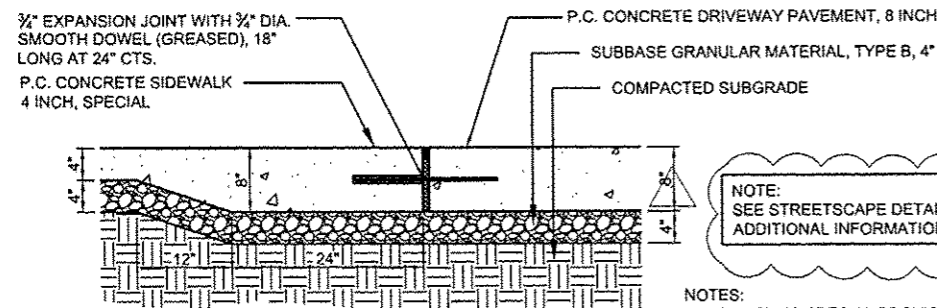


- NOTES:
1. BRICK PAVER BANDING PATTERN: DOUBLE SOLDIER COURSE
 2. BRICK PAVER TYPE AND COLOR: BELDEN, CRESTLINE MOLDED CLAY BRICK WITH DUTCH CHAMFERED EDGE, 2 1/4" x 4" x 8", VICTORIAN, OR APPROVED EQUAL
 3. SAW CUT BRICK PAVERS TO NECESSARY ANGLES AT EXPANSION JOINT BETWEEN SIDEWALK AND DRIVEWAY

27 Driveway/Sidewalk, Special Brick Paver Banding Joint Detail

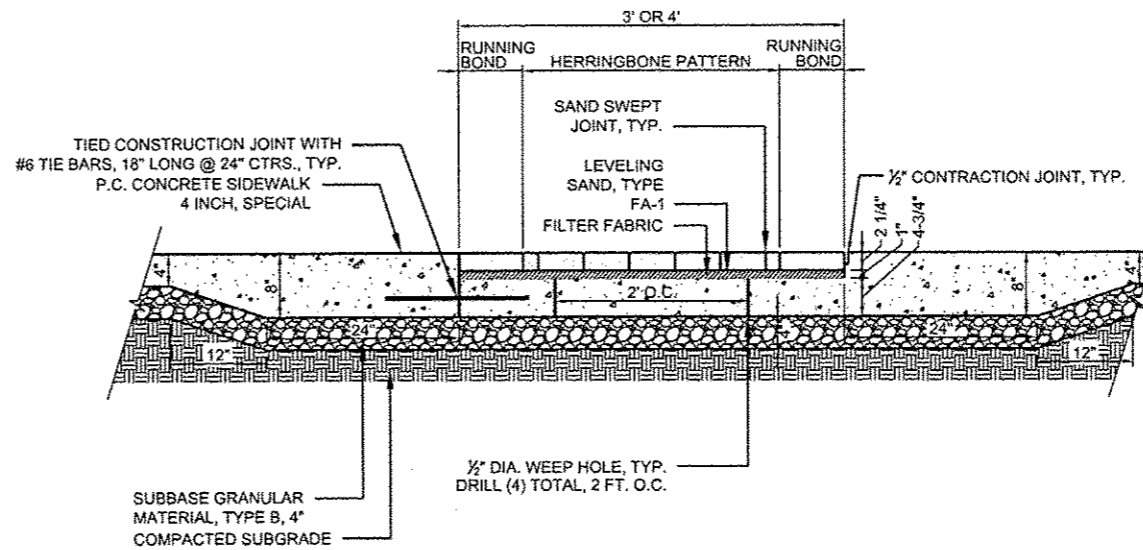
Scale: 1" = 1'-0"



- NOTES:
1. REFER TO SPECIAL PROVISIONS FOR COMPACTION OF SUBBASE GRANULAR MATERIAL, TYPE B AND SUBGRADE.

26 P.C. Concrete Driveway Pavement, 8 Inch/ P.C. Concrete Sidewalk 4 Inch, Special - Joint Detail

Scale: 1" = 1'-0"



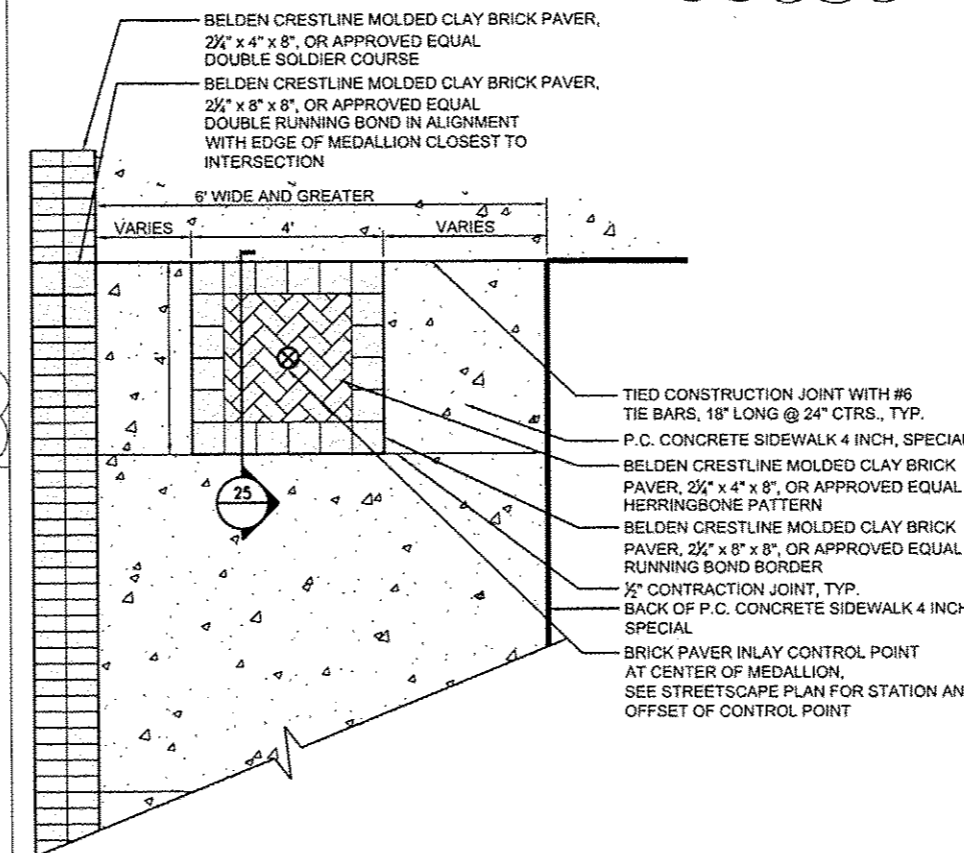
NOTE: SEE STREETSCAPE DETAILS FOR ADDITIONAL INFORMATION.

- NOTES:
1. BRICK PAVER FINISHING: SWEEP ALL BRICK JOINTS WITH SAND, TYPE FA-9, UNTIL ALL VOIDS ARE FILLED. REPEAT PROCEDURE AS NEEDED TO FILL ALL VOIDS.
 2. REFER TO SPECIAL PROVISIONS FOR COMPACTION OF AGGREGATE BASE COURSES, SUBBASE GRANULAR MATERIAL, TYPE B AND SUBGRADE.

25 Intersection Brick Paver Inlay Section

Scale: 1" = 1'-0"

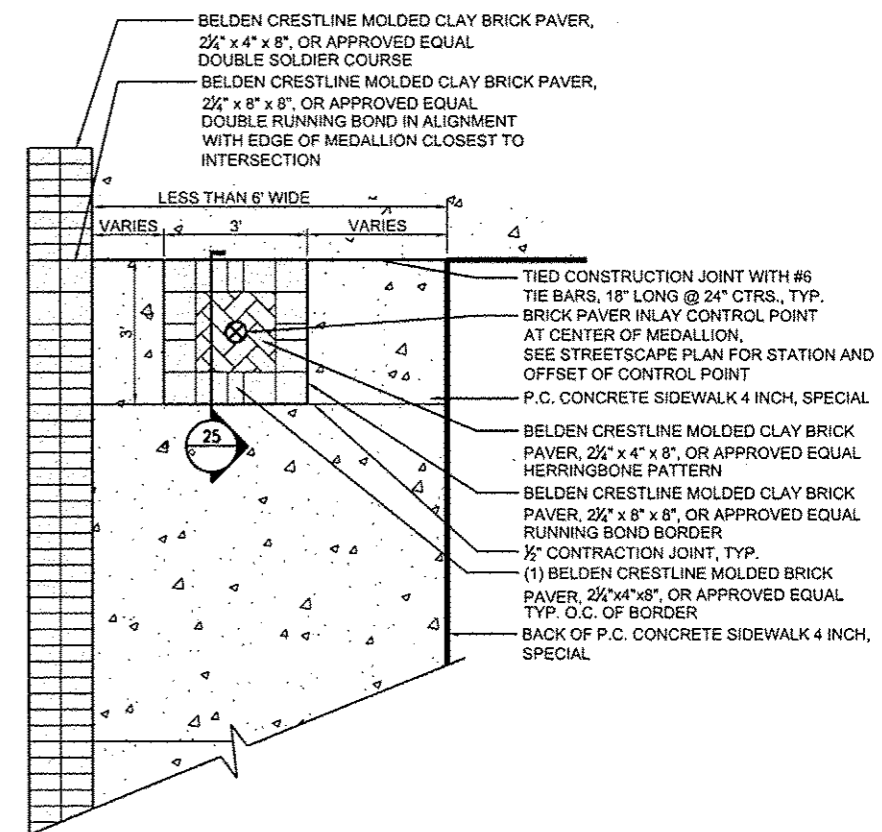
NOTE: SEE STREETSCAPE DETAILS FOR ADDITIONAL INFORMATION.



NOTE: SEE STREETSCAPE DETAILS FOR ADDITIONAL INFORMATION.

24 4' Medallion Intersection Brick Paver Inlay Detail

Scale: 1/2" = 1'-0"



23 3' Medallion Intersection Brick Paver Inlay Detail

Scale: 1/2" = 1'-0"

FILE NAME :	USER NAME = daws086878	DESIGNED - ALW	REVISED - 10/24/12
c:\pwise\work\do_not_delete\dms73427\04	040155-shs-details-1ndcsp06.dgn	DRAWN - ALW	REVISED -
	PLOT SCALE = 2,0000 / 1 in.	CHECKED - BAB	REVISED -
	PLOT DATE = 10-23-2012	DATE - 10/24/2012	REVISED -

STATE OF ILLINOIS
DEPARTMENT OF TRANSPORTATION

TIGER II - WAREHOUSE DISTRICT
STREETSCAPE DETAILS

SCALE: N.T.S. SHEET NO. OF SHEETS STA. TO STA.

F.A.U. RTE.	SECTION	COUNTY	TOTAL SHEETS	SHEET NO.
	12-00356-01-PV	PEORIA	519	282
CONTRACT NO. 89626			ILLINOIS FED. AID PROJECT TIG-50930581	

Farnsworth GROUP
7707 N. KNOXVILLE AVE, SUITE 100
PEORIA, ILLINOIS 61614
(309) 689-9888 / (309) 689-9820 Fax
www.fw.com