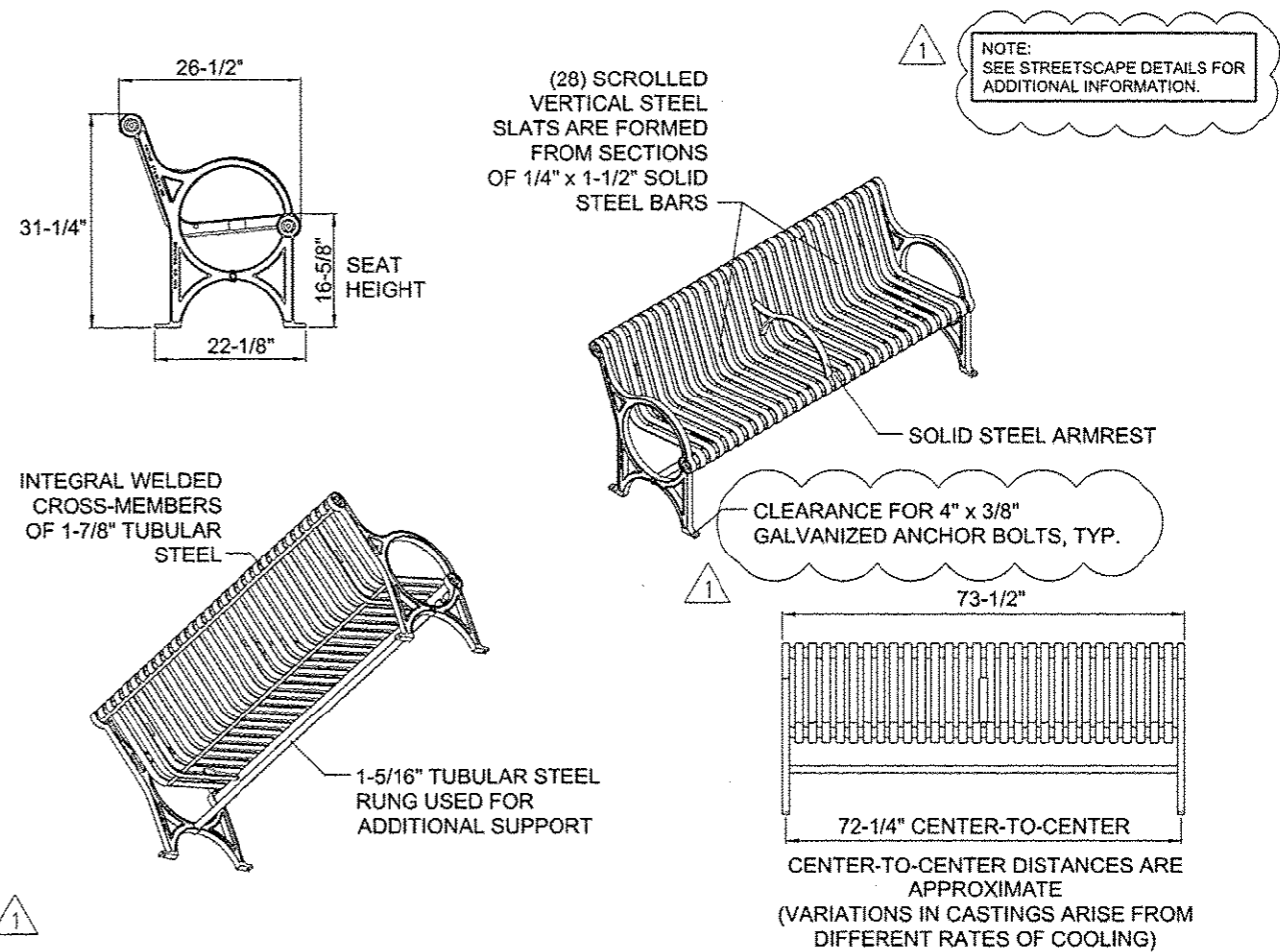


NOTE:  
SEE STREETSCAPE DETAILS FOR  
ADDITIONAL INFORMATION.

**NOTES:**

1. TRASH RECEPTACLE TYPE SHALL BE S-42 IRONSITES SERIES 36-GALLON LITTER RECEPTACLE WITH STANDARD TAPERED FORMED LID, HOT DIP GALVANIZED WITH BLACK POWDER COAT FINISH AVAILABLE FROM VICTOR STANLEY, P.O. DRAWER 330, DUNKIRK, MD 20754, 1-800-368-2573, OR APPROVED EQUAL.
2. ALL FABRICATED METAL COMPONENTS ARE STEEL SHOTBLASTED, ETCHED, PHOSPHATIZED, PREHEATED, AND ELECTROSTATICALLY POWDER-COATED WITH T.G.I.C. POLYESTER POWDER COATINGS. PRODUCTS ARE FULLY CLEANED AND PRETREATED, PREHEATED AND COATED WHILE HOT TO FILL CREVICES AND BUILD FILM COATING. COATED PARTS ARE THEN FULLY CURED TO COATING MANUFACTURER'S SPECIFICATIONS. THE THICKNESS OF THE RESULTING FINISH AVERAGES 8-10 MILS (200-250 MICRONS).
3. TRASH RECEPTACLE LID IS SECURED WITH VINYL COATED GALVANIZED STEEL AIRCRAFT CABLE. CABLE IS LOOPED AROUND WELDED IN PLACE ATTACHMENT BRACKETS AND CRIMPED IN PLACE. AVAILBABLE WITH OPTIONAL MOUNT WITH 3 IN-LINE ANCHOR HOLES AND OPTIONAL BOTTOM PLATE COVER.
4. 36-GALLON CAPACITY HIGH DENSITY LINER IS MOLDED ON TOOLING DESIGNED FOR AND OWNED BY MANUFACTURER. THEY OFFER MAXIMUM CAPACITY AND STRENGTH WITH LIGHTWEIGHT CONSTRUCTION USING CRITICAL MOLDED RIBS, INTEGRAL HANDHOLDS, AND HIGH-STRENGTH MATERIALS. THIS MINIMIZES HANDLING DIFFICULTY AND FACILITATES EASY EMPTYING AND STORAGE WHILE AFFORDING LONG SERVICE LIFE.
5. THIS PRODUCT MUST BE PERMANENTLY AFFIXED TO THE GROUND. CONSULT YOUR LOCAL CODES FOR REGULATIONS.
6. (1) 7" x 5/8" GLAVANIZED ANCHOR BOLT NOT PROVIDED BY MANUFACTURER.
7. DRAWINGS NOT TO SCALE. DO NOT SCALE DRAWINGS.
8. ALL PRODUCT SPECIFICATIONS ARE SUBJECT TO CHANGE. CONTACT MANUFACTURER FOR DETAILS.
9. THIS PRODUCT IS SHIPPED FULLY ASSEMBLED.



NOTE:  
SEE STREETSCAPE DETAILS FOR  
ADDITIONAL INFORMATION.

**NOTES:**

1. BENCH TYPE SHALL BE CR-12 CITY SITES SERIES STANDARD BENCH WITH DUCTILE IRON END FRAMES, 6' LENGTH WITH ARMREST, HOT DIP GALVANIZED WITH BLACK POWDER COAT FINISH AVAILABLE FROM VICTOR STANLEY, P.O. DRAWER 330, DUNKIRK, MD 20754, 1-800-368-2573, OR APPROVED EQUAL.
2. DUCTILE IRON CASTINGS COME WITH A TEN YEAR WARRANTY AGAINST BREAKAGE.
3. DRAWINGS NOT TO SCALE. DO NOT SCALE DRAWINGS.
4. ALL FABRICATED METAL COMPONENTS ARE STEEL SHOTBLASTED, ETCHED, PHOSPHATIZED, PREHEATED, AND ELECTROSTATICALLY POWDER-COATED WITH T.G.I.C. POLYESTER POWDER COATINGS. PRODUCTS ARE FULLY CLEANED AND PRETREATED, PREHEATED AND COATED WHILE HOT TO FILL CREVICES AND BUILD COATING FILM. COATED PARTS ARE THEN FULLY CURED TO COATING MANUFACTURER'S SPECIFICATIONS. THE THICKNESS OF THE RESULTING FINISH AVERAGES 8-10 MILS (200-250 MICRONS).
5. IT IS NOT RECOMMENDED TO LOCATE ANCHOR BOLTS UNTIL BENCH IS IN PLACE. THIS VICTOR STANLEY, INC. PRODUCT MUST BE PERMANENTLY AFFIXED TO THE GROUND. CONSULT YOUR LOCAL CODES FOR REGULATIONS.
6. (4) 4" x 3/8" GALVANIZED ANCHOR BOLTS NOT PROVIDED BY MANUFACTURER.
7. ALL PRODUCT SPECIFICATIONS ARE SUBJECT TO CHANGE. CONTACT MANUFACTURER FOR DETAILS.
8. THIS PRODUCT IS SHIPPED FULLY ASSEMBLED.

**35** Trash Receptacles  
Scale: Not to Scale

FILE NAME =	USER NAME = dows00878	DESIGNED - ALW	REVISED - 10/24/12
cr\pwise\work\do_not_delete\dwg\73427\04	PL0155-sht-details-1ndcp09.dgn	DRAWN - ALW	REVISED -
	PLOT SCALE = 2.0000 / in.	CHECKED - BAB	REVISED -
	PLOT DATE = 10/23/2012	DATE - 10/24/2012	REVISED -

STATE OF ILLINOIS  
DEPARTMENT OF TRANSPORTATION

**34** Park Benches - 6' Length  
Scale: Not to Scale

TIGER II - WAREHOUSE DISTRICT		F.A.U. RTE.	SECTION	COUNTY	TOTAL SHEETS	SHEET NO.
STREETSCAPE DETAILS		12-00356-01-PV	PEORIA	519	285	
SCALE: N.T.S.	SHEET NO. OF SHEETS	STA.	TO STA.		ILLINOIS FED. AID PROJECT 116-509315B1	

**Farnsworth**  
GROUP  
7707 N. KNOXVILLE AVE, SUITE 100  
PEORIA, ILLINOIS 61614  
(309) 699-0888 / (309) 699-9820 Fax  
www.fw.com