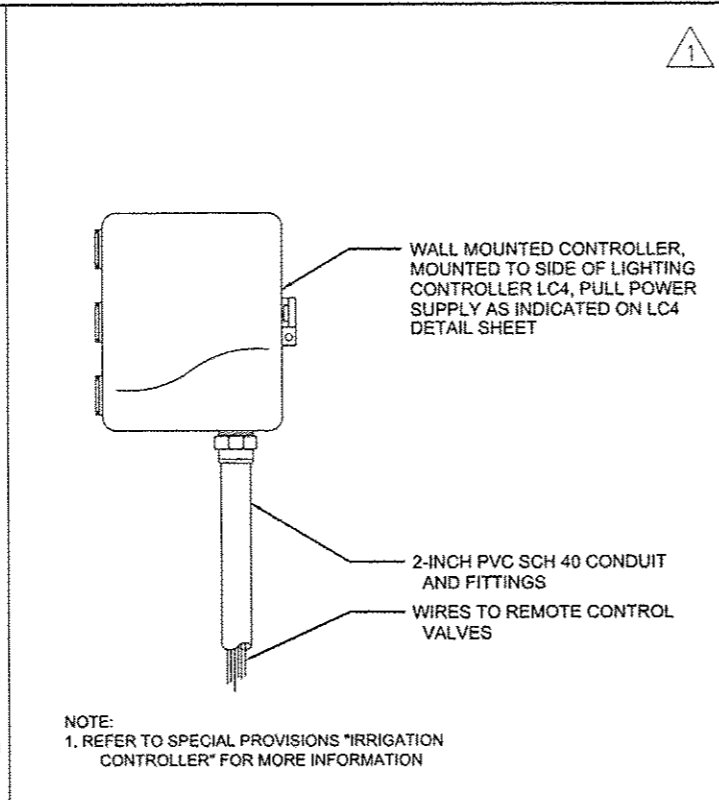
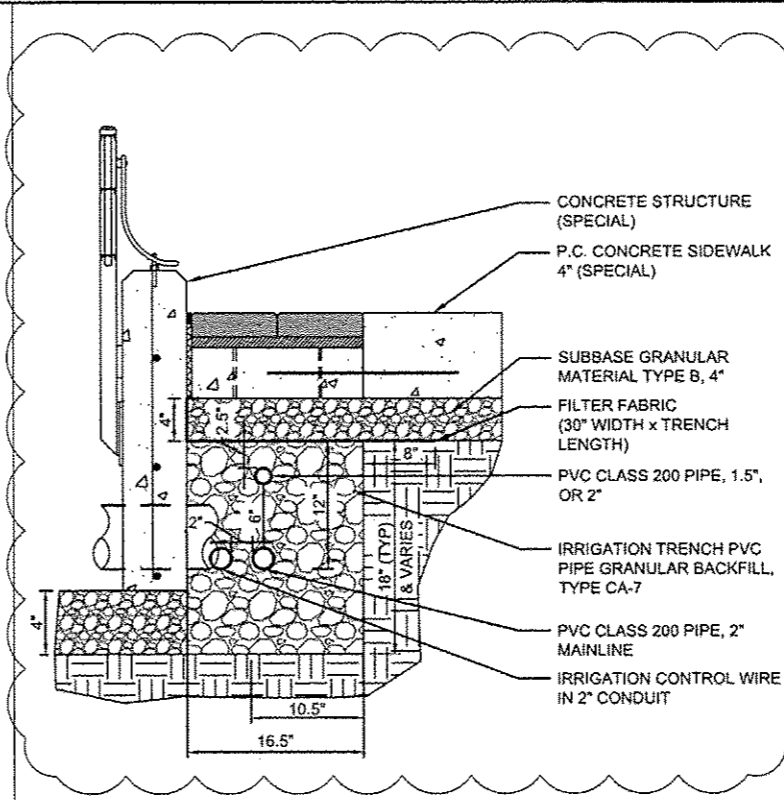


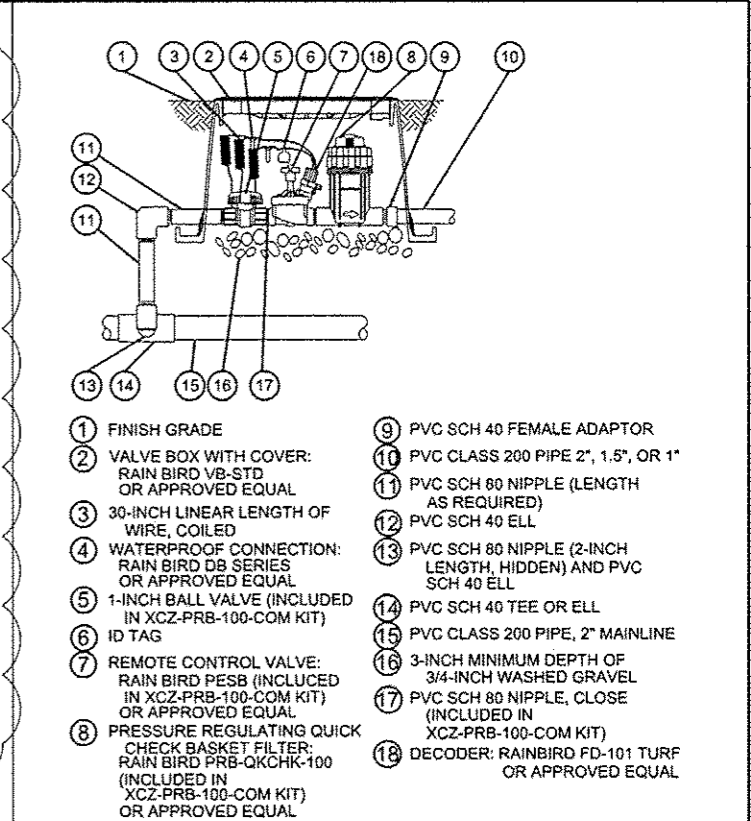
7 Valve Box Assembly, Quick Coupler
Scale: Not to Scale



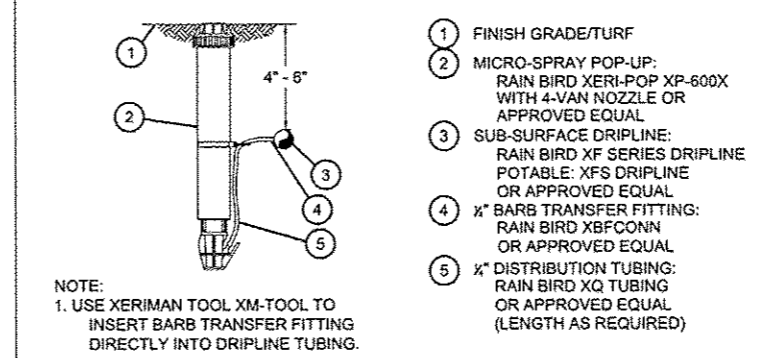
6 Irrigation Controller Detail
Scale: Not to Scale



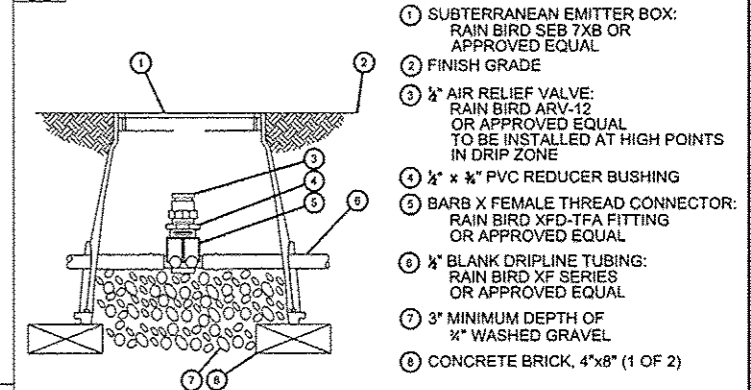
5 Irrigation Trench Detail
Scale: Not to Scale



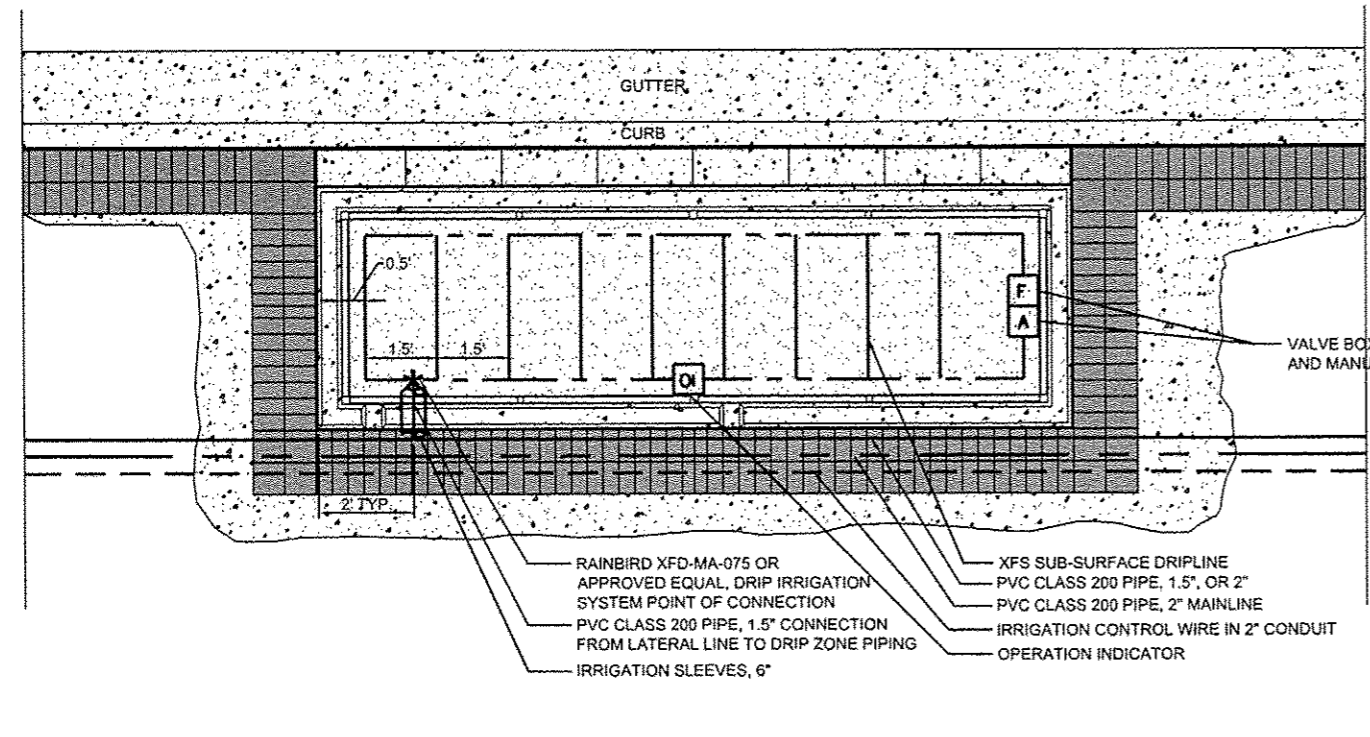
3 Valve Box Assembly, Drip Zone
Scale: Not to Scale



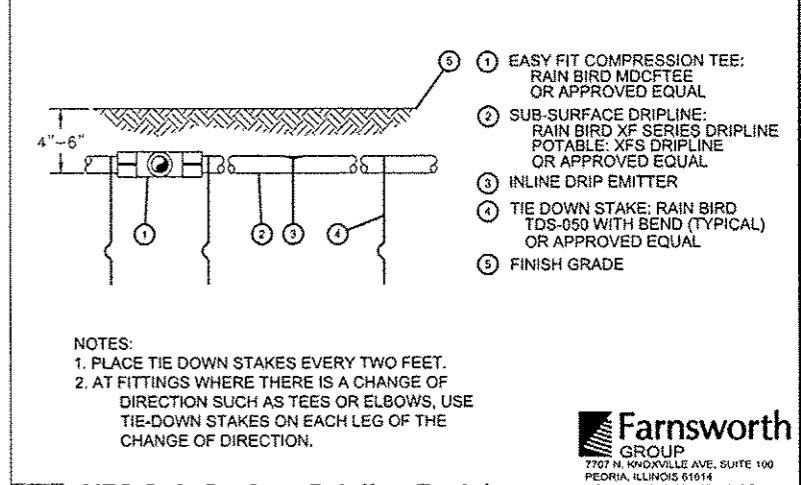
4 Irrigation Operation Indicator
Scale: Not to Scale



2 Valve Box Assembly, Air/Vacuum Relief and Manual Line Flush
Scale: Not to Scale



8 Irrigation Bed .9 GPH
Scale: 1/2" = 1'-0"



1 XFS Sub-Surface Dripline Burial
Scale: Not to Scale

FILE NAME : c:\pwise\work\do_not_delete\dms73427\04	USER NAME : dawa00870	DESIGNED - ALW	REVISED - 10/24/12
0L0155-shr-detaila-Indscpl1.dgn		DRAWN - ALW	REVISED -
PLOT SCALE : 2.0000 / in.		CHECKED - BAB	REVISED -
PLOT DATE : 10/23/2012		DATE - 10/24/2012	REVISED -

STATE OF ILLINOIS
DEPARTMENT OF TRANSPORTATION

TIGER II - WAREHOUSE DISTRICT IRRIGATION DETAILS			
SCALE: N.T.S.	SHEET NO. OF SHEETS	STA. TO STA.	

F.A.U. RTE.	SECTION	COUNTY	TOTAL SHEETS	SHEET NO.
	12-00356-01-PV	PEORIA	519	324
CONTRACT NO. 89626				
ILLINOIS FED. AID PROJECT TIC-50931581				

Farnsworth GROUP
7707 N. ROCKVILLE AVE., SUITE 100
PEORIA, ILLINOIS 61614
(309) 699-9680 / (309) 699-9820 Fax
www.fwg.com