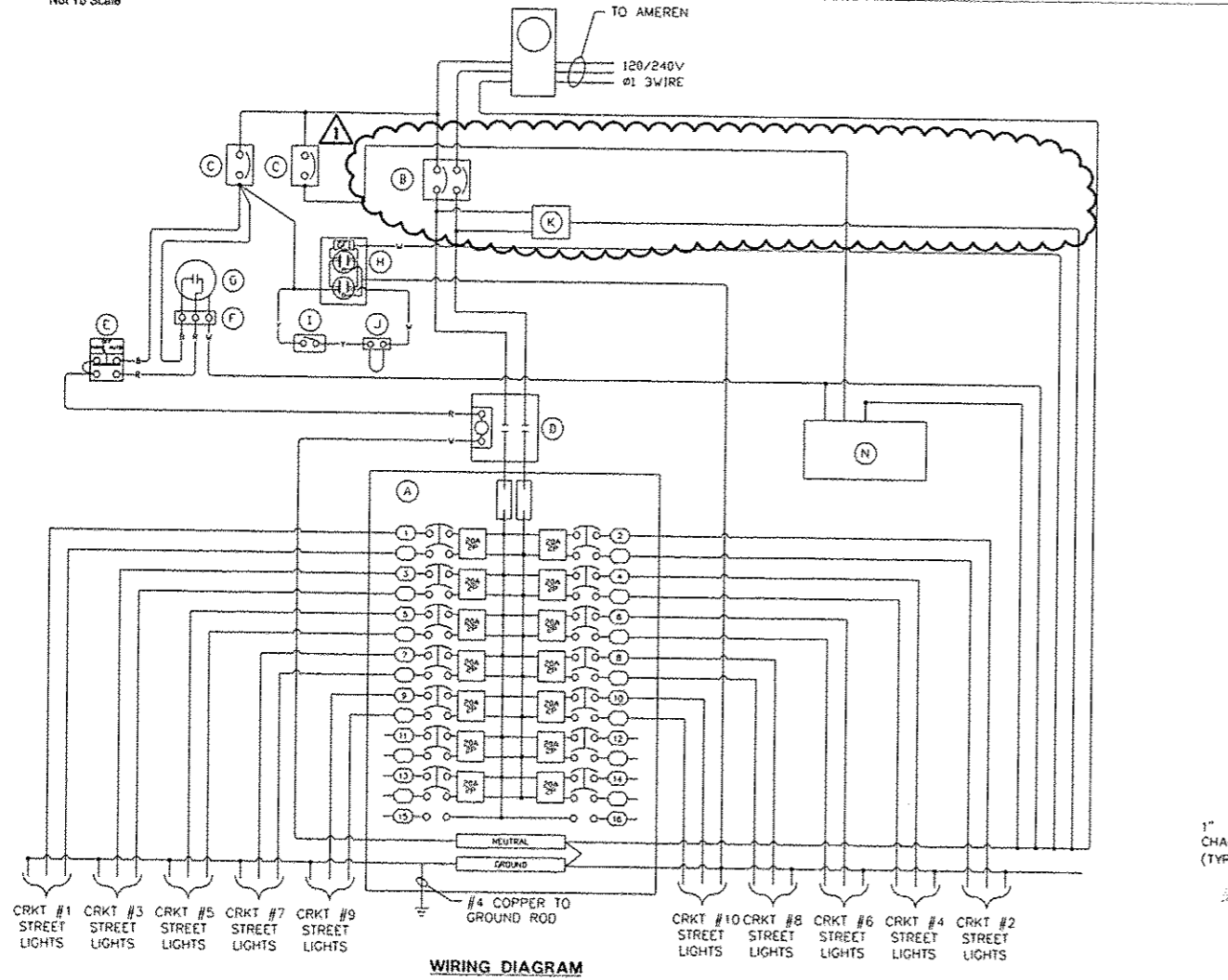


One-Line Diagram for Lighting Control Cabinet (LC4)

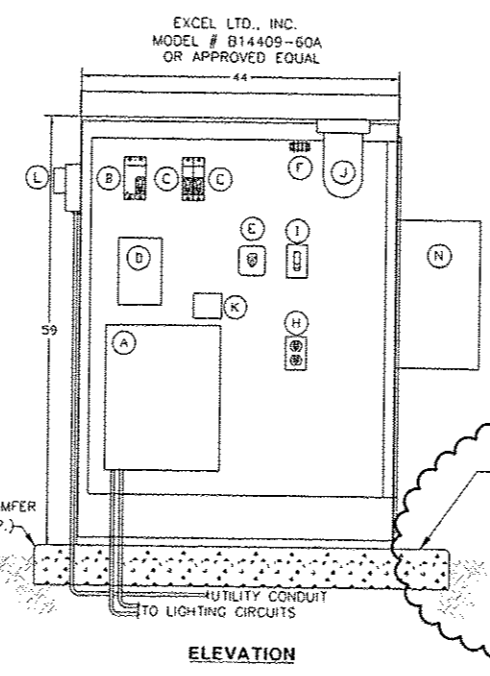
Scale: Not To Scale



WIRING DIAGRAM

Lighting Controller Base Mounted 240V, 200Amp #LC4

Scale: Not To Scale



ELEVATION

BILL OF MATERIALS	
ITEM	DESCRIPTION
A	200A MLO (14) 2P/20A BRANCH
B	2P 200A MAIN CIRCUIT BREAKER
C	1P 15A MAIN CIRCUIT BREAKER
D	120V COIL 2 POLE 100 AMP CONTACTOR
E	H.O.A. SWITCH
F	3PT TERMINAL BLOCK
G	PHOTOCELL
H	20A GFI RECPT
I	TOGGLE SWITCH
J	RAB VX100DG LIGHT FIXTURE
K	SURGE SUPPRESSION DEVICE
L	AMEREN METER-SELF CONTAINED CT'S 200A 120/240V
M	44" TYPE V TRAFFIC CONTROL CABINET TYPE 3R POWDER COATED BLACK TO MATCH POLE
N	IRRIGATION CONTROLLER MOUNTED BY IRRIGATION CONTRACTOR, ELECTRICAL CONTRACTOR TO WIRE IN POWER TO UNIT.

- NOTES:**
- ALL POWER WIRING WILL BE RHH/RHW.
 - ALL CONTROL WIRING WILL BE #14 MIN.
 - NOT USED.
 - ⊕ CKT NUMBER
 - ⊙ ITEM #, SEE BILL OF MATERIALS

FILE NAME: c:\pwise\work\do_not_delete\dms73318\041\0155-shd-details-Light01.dgn	USER NAME: dawso00078	DESIGNED: JDE	REVISED: 10/24/12
PLOT SCALE: 2,0000 / in.		DRAWN: TMT	REVISED:
PLOT DATE: 10/23/2012		CHECKED: BMS	REVISED:
		DATE: 10/24/2012	REVISED:

**STATE OF ILLINOIS
DEPARTMENT OF TRANSPORTATION**

SCALE: N.T.S.		SHEET NO. OF SHEETS STA. TO STA.	
LIGHTING DETAILS			

F.A.U. RTE.	SECTION	COUNTY	TOTAL SHEETS	SHEET NO.
	12-00356-01-PV	PEORIA	519	371
CONTRACT NO. 89626				