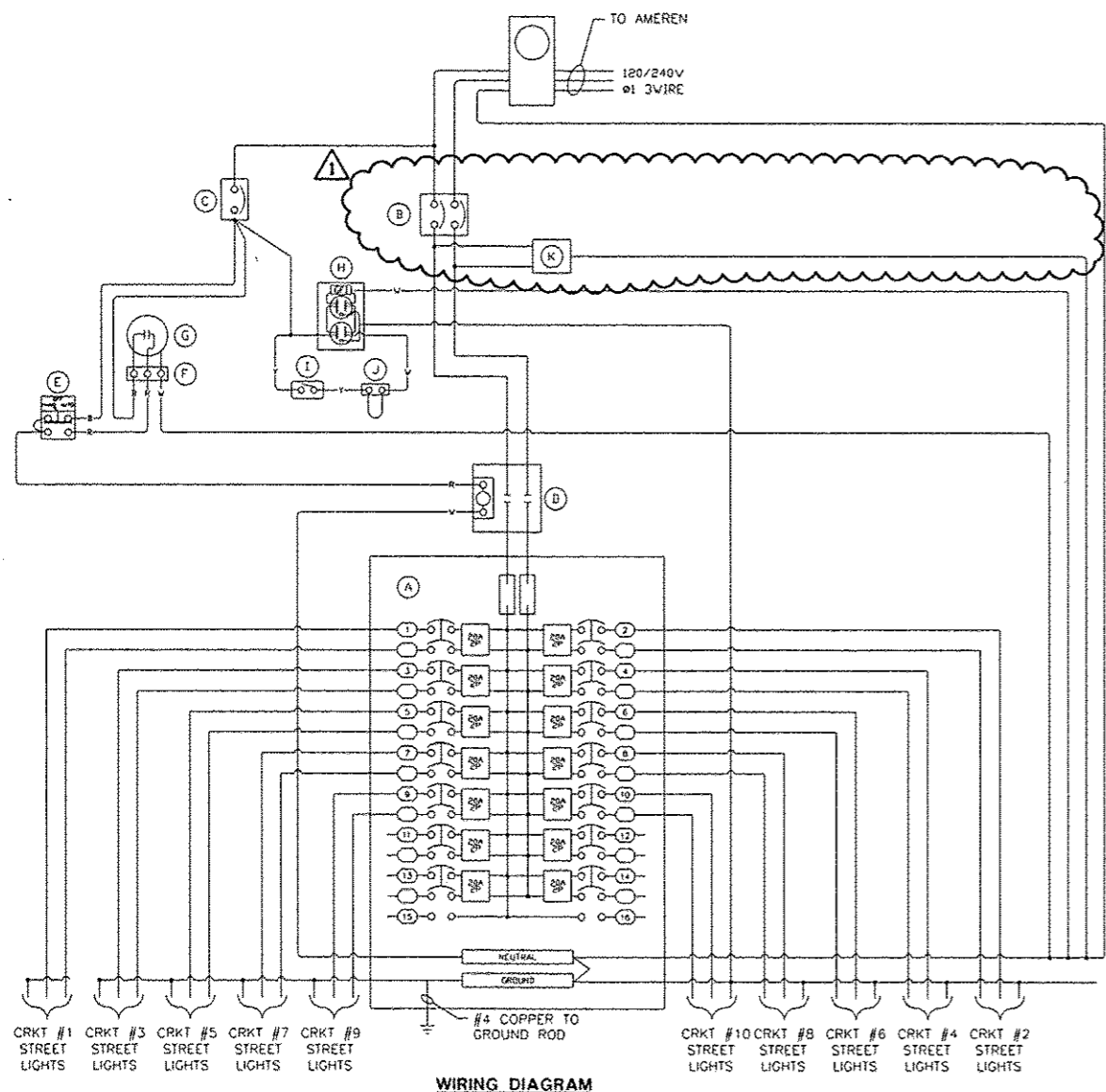
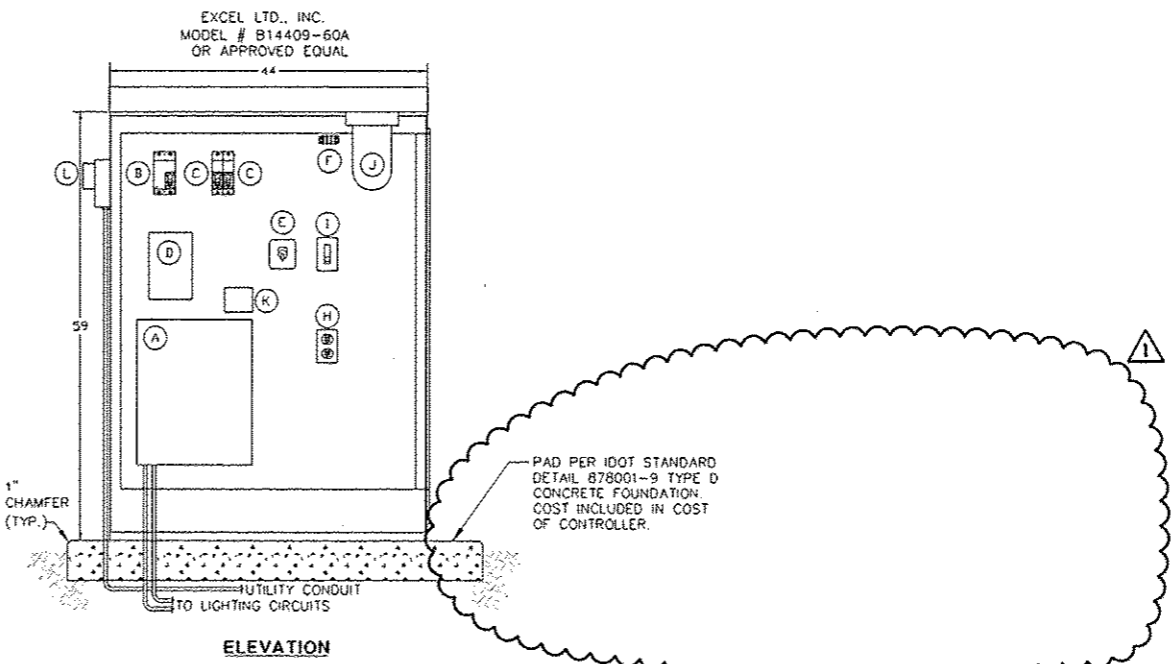


**One-Line Diagram for Lighting Control Cabinet (LC6)**

Scale: Not To Scale



**WIRING DIAGRAM**



**ELEVATION**

BILL OF MATERIALS	
ITEM	DESCRIPTION
A	200A MLO (14) 2P/20A BRANCH
B	2P 200A MAIN CIRCUIT BREAKER
C	1P 15A MAIN CIRCUIT BREAKER
D	120V COIL 2 POLE 100 AMP CONTACTOR
E	H.O.A. SWITCH
F	3PT TERMINAL BLOCK
G	PHOTOCELL
H	20A GFI RECPT
I	TOGGLE SWITCH
J	RAB VX100DG LIGHT FIXTURE
K	SURGE SUPPRESSION DEVICE
L	AMEREN METER—SELF CONTAINED CT'S 200A 120/240V
M	44" TYPE V TRAFFIC CONTROL CABINET TYPE 3R POWDER COATED BLACK TO MATCH POLE

- NOTES:**
1. ALL POWER WIRING WILL BE RHH/RHW.
  2. ALL CONTROL WIRING WILL BE #14 MIN.
  3. NOT USED.
  4. (C) CKT NUMBER
  5. (I) ITEM #. SEE BILL OF MATERIALS

**Lighting Controller Base Mounted 240V, 200Amp #LC6**

Scale: Not To Scale

FILE NAME :	USER NAME : dawa00878	DESIGNED - JDE	REVISED - 10/24/12
c:\pwise\work\do_not_delete\dms73318\041\0195\shd-detail\Light03.dgn		DRAWN - TMT	REVISED -
		CHECKED - BMS	REVISED -
		DATE - 10/24/2012	REVISED -

**STATE OF ILLINOIS  
DEPARTMENT OF TRANSPORTATION**

**LIGHTING DETAILS**

SCALE: N.T.S. SHEET NO. OF SHEETS STA. TO STA.

F.A.U. RTE.	SECTION	COUNTY	TOTAL SHEETS	SHEET NO.
	12-00356-01-PV	PEORIA	519	373
CONTRACT NO. B9626				
ILLINOIS FED. AID PROJECT TIG-5033158				