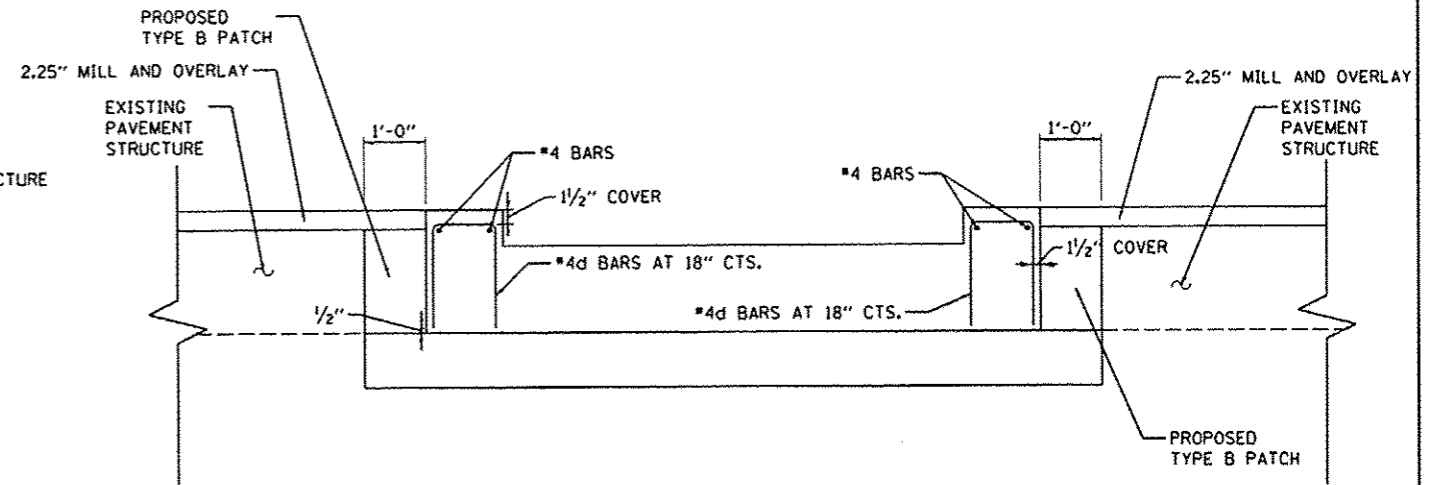
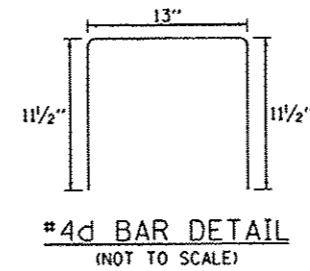


CROSSWALK PAVER DETAIL
(NOT TO SCALE)

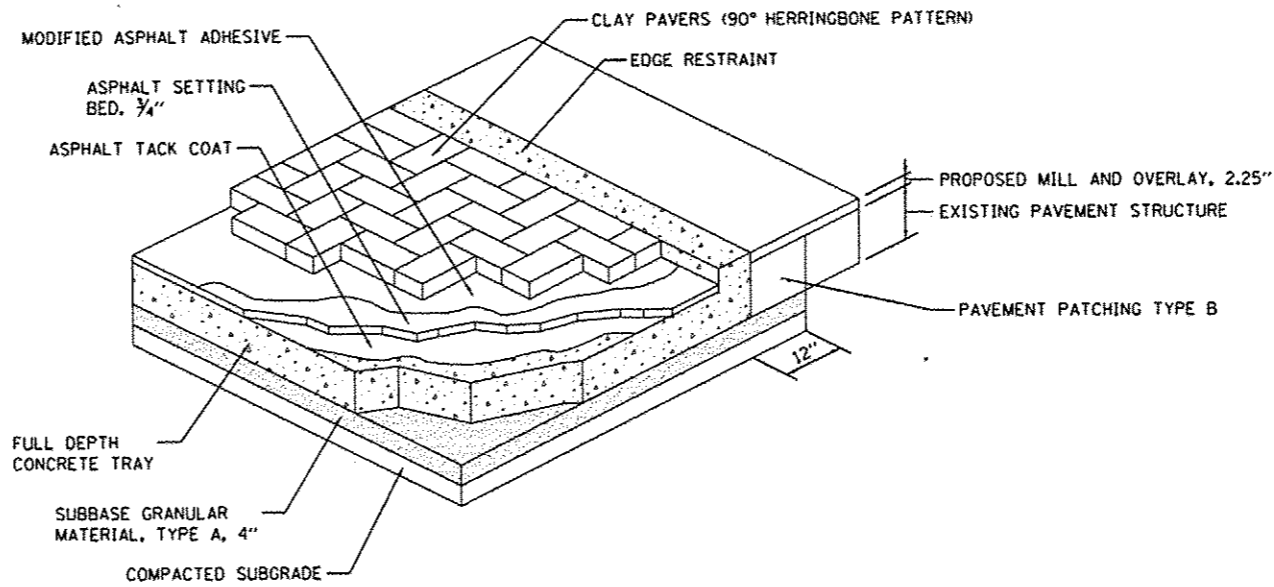


CROSSWALK REINFORCEMENT DETAIL
(NOT TO SCALE)



NOTES:

1. ALL BARS SHALL BE EPOXY COATED
2. SEE SPECIFICATIONS FOR INFORMATION ON SIZE, COLOR, STYLE, AND FINISH OF PAVERS ALONG WITH CONSTRUCTION PROCEDURES.



CROSSWALK SECTION DETAIL
(NOT TO SCALE)



FILE NAME =	USER NAME = davis00078	DESIGNED - DLC	REVISED - 10/24/12
c:\pwise_work\do_not_delete\dms73300\104	DL0155-sht-details001.dgn	DRAWN - RLA	REVISED -
	PLOT SCALE = 10.0000' / 1"	CHECKED - MGD	REVISED -
	PLOT DATE = 10/23/2012	DATE = 10/24/2012	REVISED -

**STATE OF ILLINOIS
DEPARTMENT OF TRANSPORTATION**

PAVER CROSSWALK DETAILS

SCALE: N.T.S. SHEET NO. OF SHEETS STA. TO STA.

F.A.U. RTE.	SECTION	COUNTY	TOTAL SHEETS	SHEET NO.
12-00356-01-PV	PEORIA	519	386	
CONTRACT NO. 89626				
ILLINOIS FED. AID PROJECT TIG-509315B				